

Australia's most efficient wood heaters



**QUADRA-FIRE**<sup>®</sup>  
NOTHING BURNS LIKE A QUAD



## The Quadra-Fire difference

In America, before the Clean-Air Act took effect, there were more than 500 wood stove manufacturers around the country. In 1985, almost all of them stopped making stoves rather than adapt to the more stringent regulations. Most of those that remained turned to catalytic combustion as a solution. But the company now called Quadra-Fire chose instead to look at wood burning in an entirely new way.

After nearly two years of research and development, founders Alan Trusler and Dan Henry developed and patented the Quadra-Burn system that burns and re-burns gases and smoke in four different zones of the firebox. The technology set a new standard for clean, fuel-efficient heating with wood. And because it is non-catalytic, the system does not degrade in performance over time. For over 20 years, our stoves have been the cleanest burning non-catalytic wood stoves tested by the EPA. Tested to Australian hardwood, Quadra-Fire wood fires have the highest efficiencies of any wood product on the Australian market. The average efficiency of indoor wood heaters on the Australian market is 62%. Quadra-Fire fire have an average efficiency of 79% with a maximum of 82%. This equates to substantial wood savings to you the customer.

Each Quadra-Fire stove is designed with a mind toward efficiency and an eye toward beauty. We put great care into every product, using thick steel and design details that both enhance performance and keep the stove and wood fireplace working for you day after day, for many, many years. Efficient, reliable, easy-to-use, and environmentally friendly, Quadra-Fire is always the smart choice for alternative-energy home heating.

# Tradition of excellence

With Quadra-Fire, performance comes standard. These durable wood-burning stoves and wood fireplaces are built to last. It all started with the development of the Four-Point Burn System. This patented technology produced intense rolling flames so efficient, it dawned the inception of the Quadra-Fire name. Next came Automatic Combustion Control (ACC). This advanced heat-management technology feeds the fire with air when it's needed most – for precision start-up and consistent, extended burns.

Today, Quadra-Fire creates the cleanest burning, easiest to operate and most durable wood stoves available. It's a commitment, a tradition and a guiding principle of this rugged brand.

## Outside air ready

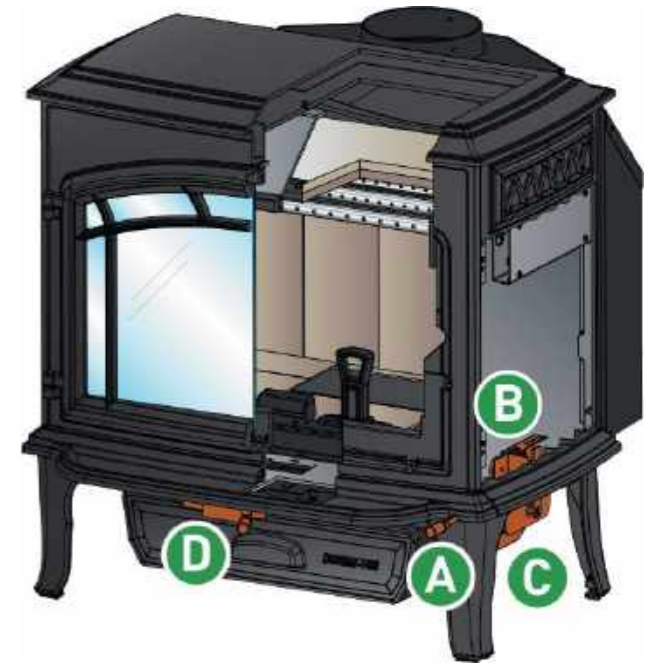
All Quadra-Fire wood fireplaces are outside air kit ready. An outside air kit helps to provide additional air for combustion to the fireplace by drawing oxygen from outside the home. This helps the performance of the fireplace in properties that are particularly tightly-constructed or well insulated. If you are installing a wood burning fireplace in a new home, Quadra-Fire fireplaces are available with outside air kit to overcome air balance issues associated with modern construction.

## Energy efficiency - what does it mean?

The average Southern Australian household will burn between 4-6 tons of wood per heating season. The average Australian slow combustion unit has an efficiency rating of 62%.

## Automatic Combustion Control

Automatic Combustion Control (ACC) is an advanced heat-management technology from Quadra-Fire. ACC feeds the fire with air when it's needed most – for precision start-up and consistent, extended burns. Whether you are starting a cold stove, or reloading for the long burn, the automatic air control provides all the extra air to start the burning process, and then turns the stove down to your desired rate.



## Four-Point Burn

The patented Quadra-Fire Four-Point Burn System produces intense rolling flames. Four combustion cycles extend the heat, enhance the fire and increase efficiency for durable, long-lasting performance.

- 1. Precision Start-Up**  
Airflow quickly routes to the heart of the fire.
- 2. Clear View**  
A shield of air runs behind the door, aiding combustion and keeping the glass clean.
- 3. Tertiary Burn Zone**  
Superheated air ignites flammable gases rising from the wood.
- 4. Quaternary Burn**  
Remaining impurities are burned above the baffle before exiting up the chimney.



## Quadra-Fire's average rating is up to 85%.

This equates to around 2 tons of wood being saved per year by purchasing a Quadra-Fire. With the average price of wood in most metropolitan areas around \$270 per ton, this can mean a saving of around \$540 per year.

Add to that a warranty that is industry leading warranty of beyond 10 years and features such as our patented Automatic Combustion Control and Quad-Burn Technology, makes Quadra-Fire the smartest choice for your wood burning fireplace.

# 31 Millennium

Classic design and powerful performance

The 31 Millennium wood stove is designed to deliver powerful performance. The durable construction features a fully welded, brick lined firebox with thick-plate steel and heavy duty hinges.

Combined with Quadra-Fire's exclusive Automatic Combustion Control (ACC) technology, precision airflow management is delivered for longer, cleaner and more efficient burns.



# Discovery 31LE

Great heat output in a convenient design

The 31LE Millennium wood stove celebrates the 25th anniversary of the best-selling 3100 Millennium wood stove. The unique design features an integrated wood storage area, together with all the Quadra-Fire features and technology... plus the added feature of optional tiled side panels to enhance the overall appearance and complement its surrounds.



## Features

- Automatic Combustion Control (ACC)
- Quadra-Fire's patented four-point burn technology
- Tuned for optimum burn time and performance
- Cast iron door with large ash lip
- Solid 6-8mm steel construction
- 8mm active cook top
- Most comprehensive warranty on the market

- Avg. Burn Time: Up to 10 hours
- Avg. Efficiency: 71%
- Peak Efficiency: 83%
- Emissions: 1.5gms/kg
- Heating Capacity: Up to 270sqm
- Max Log Length: 450mm



## Features

- Automatic Combustion Control (ACC)
- Quadra-Fire's patented four-point burn technology
- Tuned for optimum burn time and performance
- Convenient wood storage
- Cast iron door with large ash lip
- Solid 6-8mm steel construction
- 8mm active cook top
- Most comprehensive warranty on the market

- Avg. Burn Time: Up to 10 hours
- Avg. Efficiency: 71%
- Peak Efficiency: 83%
- Emissions: 1.4gms/kg
- Heating Capacity: Up to 270sqm
- Max Log Length: 450mm



## 43 Millennium

Longer burns with impressive heat output

The classic design of the 43 Millennium fireplace allows it to fit into any room. Combining durable construction with impressive performance, the 43 Millennium delivers high heat output and ultra low emissions.



## 57 Step Top

Largest unit in the range plus extra long burn time

The 57 Step Top wood stove is designed to deliver powerful performance in an attractive step-top design. Featuring durable construction, a fully welded, brick lined firebox with thick-plate steel and heavy duty hinges, the 57 Step Top offers a burn time of up to 21 hours.



### Features

- Automatic Combustion Control (ACC)
- Quadra-Fire's patented four-point burn technology
- Tuned for optimum burn time and performance
- Cast iron door with large ash lip
- Solid 6-8mm steel construction
- 8mm active cook top
- Most comprehensive warranty on the market

- 🕒 Avg. Burn Time: Up to 12 hours
- 🔥 Avg. Efficiency: 64%
- 🔥 Peak Efficiency: 89%
- 🌿 Emissions: 1gms/kg
- 🔥 Heating Capacity: Up to 300sqm
- 🔧 Max Log Length: 460mm



### Features

- Automatic Combustion Control (ACC)
- Quadra-Fire's patented four-point burn technology
- Tuned for optimum burn time and performance
- Versatile step top design
- Cast iron door with large ash lip, and ash removal system
- Solid 6-8mm steel construction
- 8mm active cook top
- Most comprehensive warranty on the market

- 🕒 Avg. Burn Time: Up to 21 hours
- 🔥 Avg. Efficiency: 65%
- 🔥 Peak Efficiency: 73%
- 🌿 Emissions: 1.5gms/kg
- 🔥 Heating Capacity: up to 370sqm
- 🔧 Max Log Length: 480mm



# Explorer III

Feature packed with functional design in mind

Achieve maximum heat and a clean burn with the Quadra-Fire Four Point Burn System. Eliminate the hassle, simply load the wood, light the fire and walk away. Featuring quick and easy cleaning with the Ash Removal System (ARS), and the top load feature makes it easier to build and maintain your fire. The Explorer is the most durable in its category – enjoy the looks and performance of cast iron, with a solid steel welded firebox built to last.



# Expedition II

A traditional fireplace, sleek in design

The Expedition II steel wood insert provides a great value for those looking for the easiest wood insert to operate. Powered by the Quadra-Fire four-point burn system, The Expedition II provides an impressive fire that can be easily seen through the large cast iron glass door.

Automatic Combustion Control (ACC) provides you with more air when you want it for easier start up or that extra boost of heat when needed. This operates automatically once you set the ACC so no need to stick around and tend the fire, just enjoy the heat.



## Features

- Automatic Combustion Control (ACC)
- Quadra-Fire's patented four-point burn technology
- Tuned for optimum burn time and performance
- Top load feature
- Cast over steel
- Solid 6-8mm steel construction
- Active cook top
- Most comprehensive warranty on the market

- 🕒 Avg. Burn Time: **Up to 16 hours**
- 🔥 Avg. Efficiency: **67%**
- 🔥 Peak Efficiency: **91%**
- 🌿 Emissions: **1.2gms/kg**
- 🔥 Heating Capacity: **Up to 350sqm**
- 🔥 Max Log Length: **480mm**



## Features

- Automatic Combustion Control (ACC)
- Quadra-Fire's patented four-point burn system
- Solid 6-8mm steel construction
- Tuned for optimum burn time and performance
- Most comprehensive warranty on the market

- 🕒 Avg. Burn Time: **Up to 8 hours**
- 🔥 Avg. Efficiency: **61%**
- 🔥 Peak Efficiency: **78%**
- 🌿 Emissions: **1.4gms/kg**
- 🔥 Heating Capacity: **Up to 240sqm**
- 🔥 Max Log Length: **520mm**

# WS18

## Wood Stove



- Avg. Burn Time: Up to 8 hours
- Avg. Efficiency: 85%
- Peak Efficiency: 86%
- Emissions: 1.3gms/kg
- Heating Capacity: Up to 210sqm
- Max Log Length: 460mm

# WS22

## Wood Stove



- Avg. Burn Time: Up to 12 hours
- Avg. Efficiency: 82%
- Peak Efficiency: 85%
- Emissions: 1.2gms/kg
- Heating Capacity: Up to 300sqm
- Max Log Length: 560mm



# WINS18

## Wood Insert



- Avg. Burn Time: Up to 8 hours
- Avg. Efficiency: 77%
- Peak Efficiency: 86%
- Emissions: 1.1gms/kg
- Heating Capacity: Up to 210sqm
- Max Log Length: 460mm

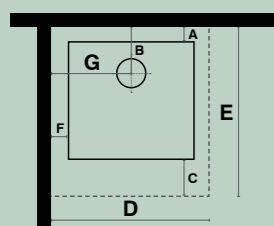
### Features

- Australia's most efficient wood fire insert
- Wide opening door with single lever operation
- Air wash system to keep the glass clean
- Zero clearance option available
- Fan included as standard

## Specifications

### Measurements

	WS18	WS22
<b>Width</b>	635mm	660mm
<b>Height</b>	736mm	863mm
<b>Depth</b>	673mm	781mm
<b>Weight</b>	145kgs	185kgs



--- Floor protector

### Wood Stove unit clearances

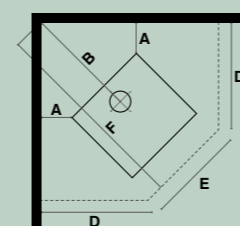
#### PARALLEL POSITIONING

Description	Default Flue Kit		Default Flue Kit with Flue Shield (WS22 only)
	WS18	WS22	
<b>A</b> Min. clearance from back of unit to rear wall	175	300	100
<b>B</b> Min. clearance from centre of spigot to rear wall	345	468	268
<b>C</b> Min. distance from front of base to floor protector front	300	300	300
<b>D</b> Min. floor protector front width	800	800	800
<b>E</b> Min. distance from rear wall to front of floor protector	1087	1320	1120
<b>F</b> Min. distance from unit side to side wall	300	400	400
<b>G</b> Min. clearance from centre of spigot to side wall	618	730	730

Measurements in millimetres.

### Measurements

	WINS18
<b>Min. Firebox Opening - Front Width</b>	622mm
<b>Min. Firebox Opening - Back Width</b>	622mm
<b>Min. Firebox Opening - Height</b>	546mm
<b>Min. Firebox Opening - Depth</b>	406mm
<b>Weight</b>	153kgs



--- Floor protector

### Wood Stove unit clearances

#### CORNER POSITIONING

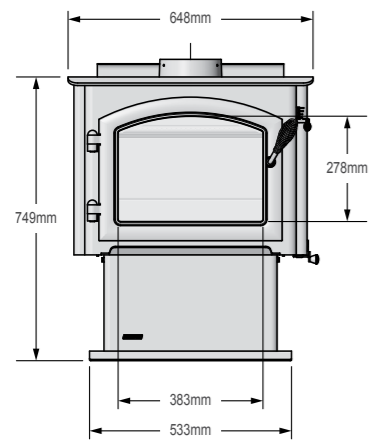
Description	Default Flue Kit	
	WS18	WS22 with Flue Shield
<b>A</b> Min. clearance from firebox corner to walls	155	75
<b>B</b> Min. distance from centre of spigot to corner	707	604
<b>C</b> Min. distance from corner wall to floor protector front	1269	1273
<b>D</b> Min. floor protector projection from corner wall	780	786
<b>E</b> Min. floor protector front width	692	688
<b>F</b> Min. overall floor protector depth	1449	1456

Measurements in millimetres.

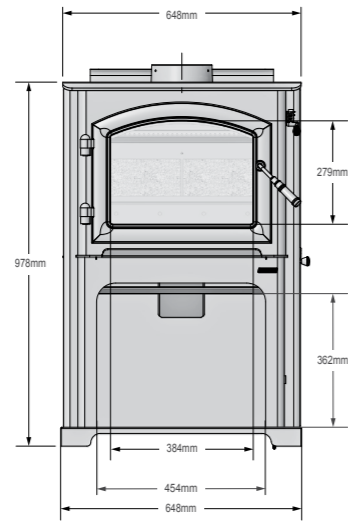
# Specifications

## 31 Millennium

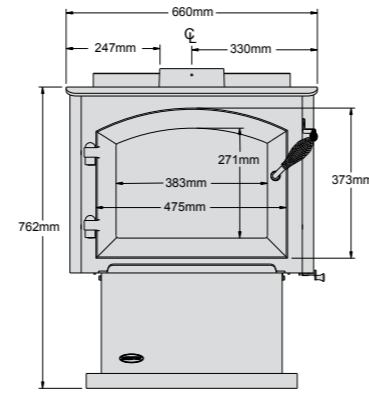
Front View



## Discovery 31LE

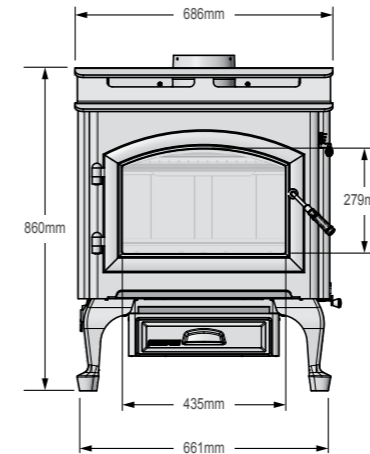


## 43 Millennium

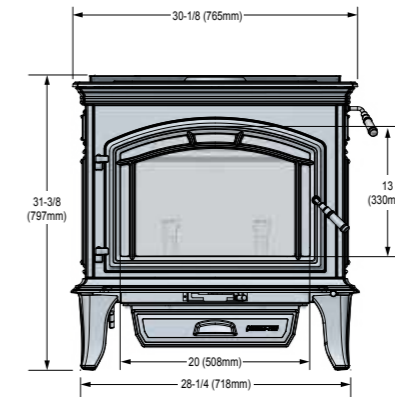


## 57 Step Top

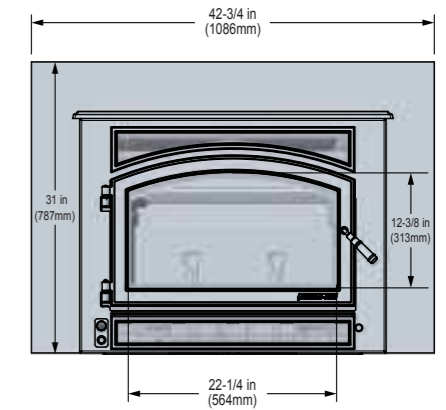
Available with either legs or pedestal.



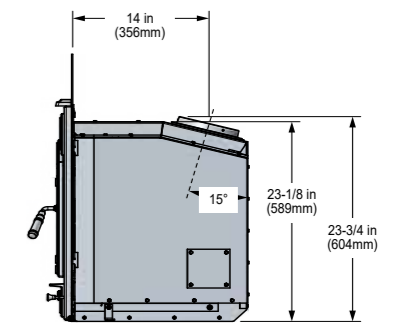
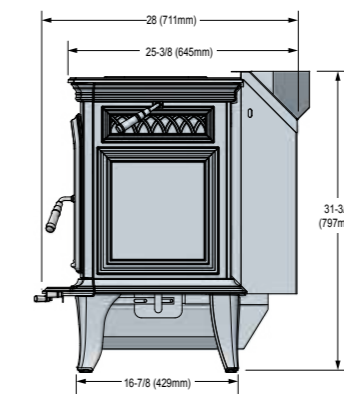
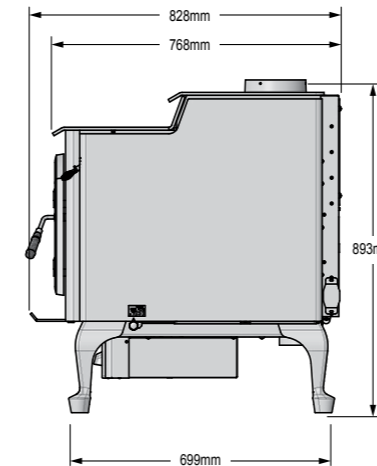
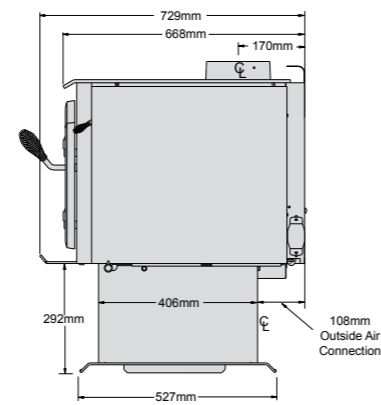
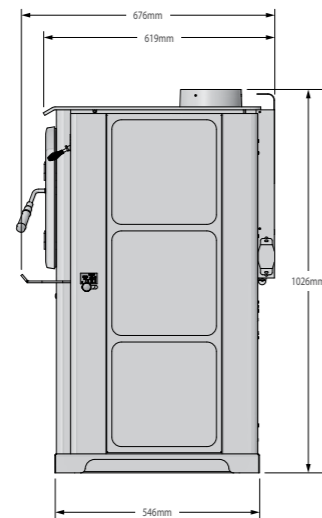
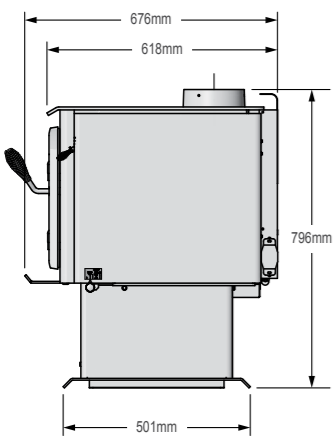
## Explorer III



## Expedition II



Side View

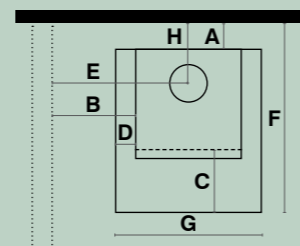


## Quadra-Fire freestanding unit clearances

### PARALLEL POSITIONING with Australian default flue kit fitted

	31M/31LE	4300	5700ST	EXPLORER III	EXPLORER III with heat shield
A	175	200	200	250	150
B	360	400	330	400	
C	300	300	450	320	
D	80	69	76	60	
E	668	730	673	783	
F	1062	1133	1410	1210	1110
G	800	798	850	885	
H	345	370	365	350	250

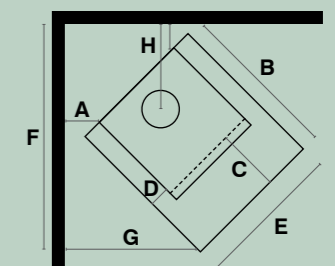
Measurements in millimetres.



### CORNER POSITIONING with Australian default flue kit fitted

	31M/31LE	4300	5700ST	EXPLORER III
A	225	250	100	175
B	887	933	1210	960
C	300	300	450	320
D	80	69	76	60
E	800	798	850	885
F	1322	1380		1400
G	756	910		765
H	532	545	462	498

Measurements in millimetres.



**NOTE:** Flue Collar size is 6 inch (152mm) diameter (ID). Above dimensions are for reference only. We recommend measuring individual units at installation. Refer to installation manual for detailed specifications on installing this product. Quadra-Fire reserves the right to update products and/or specifications periodically. The images and descriptions in this brochure are provided to assist in product selection only.





[www.quadrafire.com.au](http://www.quadrafire.com.au)

**Disclaimer:** Whilst Jetmaster makes every effort for accuracy, some finishes in this brochure may vary from actual product.