



eStudio

LED Electric Fire Range
with Thermostatic Remote Control



Instructions for Use, Installation & Servicing

For use in AU & NZ (Australia & New Zealand)

IMPORTANT

PARTS OF THE OUTER CASING OF THIS APPLIANCE ARE CONSIDERED BY THE MANUFACTURER TO BE A WORKING SURFACE WHICH BECOMES HOT WHEN THE HEATER IS IN OPERATION AND WILL RESULT IN SERIOUS INJURY AND BURNS IF TOUCHED. IT IS THEREFORE RECOMMENDED THAT A FIREGUARD IS USED IN THE PRESENCE OF YOUNG CHILDREN, THE ELDERLY OR INFIRM.

THE HEATER OUTLET GRILLE BECOMES VERY HOT WHILST IN OPERATION.
DO NOT COVER THE OUTLET GRILLE OR ANY PART OF THE APPLIANCE.

For use with 230V 50Hz electricity supply only.
Please read these instructions carefully before installation and keep them in a safe place.
They will be needed when maintenance or servicing is required.

THIS APPLIANCE MUST BE EARTHED

THIS PRODUCT IS ONLY SUITABLE FOR WELL INSULATED SPACES AND OCCASIONAL USE.

CONTENTS

ESTUDIO - LED Electric Fire Range

Covering the following models:

eSTUDIO 60R	eSTUDIO 85R	eSTUDIO 105R	eSTUDIO 135R	eSTUDIO 165R
223-403	223-417	223-439	223-465	223-476

User Instructions.....4

Installation Instructions..... 11

Technical Specifications 12

Installation 14

Accessing the Fuel bed..... 17

Glass Embers..... 18

Log Layout..... 18

Servicing Requirements21

Pairing The Remote Control.....22

Servicing Instructions.....22

Removing the Internal Components22

Wiring Diagram31

Spare Parts List.....32

Information Requirement.....33

Warranty - Australia34

WARRANTY

This system carries a 12 month parts-labour warranty. Please note that all warranties are effective from the date of purchase.



Tested to AS/NZS 60335.2.30:2015 &
AS/NZS 60335.1:2011
Certificate Number AZ69022563

USER INSTRUCTIONS

IMPORTANT INFORMATION AND HEALTH AND SAFETY

Read all of the instructions carefully before using the appliance.

Remove all packaging and dispose of at an appropriate recycling facility.

Do not locate this appliance immediately below a fixed socket outlet.

Parts of the outer casing of this appliance are considered by the manufacturer to be a working surface which becomes hot when the heater is switched on. You must use a suitable fire guard to protect children, the elderly and the infirm.

Do not use this appliance in the immediate surroundings of a bath, shower, swimming pool or any other area where the appliance could come into contact with water or humidity, e.g. a bathroom.



WARNING! DO NOT COVER

Do not allow the appliance to be covered or let the air inlet/outlet become obstructed as the appliance may overheat. Please note the warning symbol on the appliance (see above).

For indoor use only. This appliance is not suitable for use outside the house.

This appliance must be installed in a purpose built studwork enclosure. Ensure the appliance is level and that furniture, curtains etc. are positioned no closer than 1m.

Where the electricity supply cable has to pass through a fire place, stone surround etc. ensure suitable rubber bushes are fitted at possible wear points.

If installed in an open fireplace, blank off the chimney to reduce the risk of a back draught which can cause the safety cut-out to operate.

Keep the power cord away from hot surfaces and hot conditions. Do not route the power lead in front of the appliance.

When the fire has been installed the position of the plug must be accessible.

If the electricity supply cable is damaged do not use the appliance until it has been replaced. For safety reasons the replacement has to be carried out by a Gazco service agent or a similarly competent electrician.

CAUTION: In order to avoid a hazard due to inadvertent resetting of the thermal cut-out, this appliance must not be supplied through an external switching device, such as a timer, or connected to a circuit that is regularly switched on and off by the utility.

Do not operate the appliance if it is damaged.

Repairs of electrical appliances must only be performed by a suitably qualified person. Should the appliance fail to operate, or in case of any damage, please contact the retailer from whom the appliance was purchased.

This appliance can be used by children aged from 8 years and above and persons with reduced physical, sensory or mental capabilities or lack of experience and knowledge if they have been given supervision or instruction concerning use of the appliance in a safe way and understand the hazards involved. Children shall not play with the appliance. Cleaning and user maintenance shall not be made by children without supervision.

Children of less than 3 years should be kept away unless continuously supervised.

Children aged from 3 years and less than 8 years shall only switch on/off the appliance provided that it has been placed or installed in its intended normal operating position and they have been given supervision or instruction concerning use of the appliance in a safe way and understand the hazards involved. Children aged from 3 years and less than 8 years shall not plug in, regulate and clean the appliance or perform maintenance.

Caution: Some parts of this product can become very hot and cause burns. Particular attention has to be given where children and vulnerable people are present.

However Gazco recommend:

This appliance is not intended to be used by persons under the age of 12, persons with reduced physical, sensory or mental capabilities or persons with lack of experience and knowledge in the safe operation of the appliance.

The appliance may be operated by persons above the age of 12 provided they have been instructed in the safe use of the appliance and that they understand the hazards involved. Persons above the age of 12 may also operate the appliance under the supervision of a responsible adult.

Parts of this appliance become hot whilst in operation and under no circumstances should persons under the age of 12 be left alone with the product when it is in operation unless a suitable fireguard is used to protect them against the possibility of coming into direct contact with the appliance.

Children shall not play with the appliance.

Cleaning and user maintenance shall not be made by children without supervision.

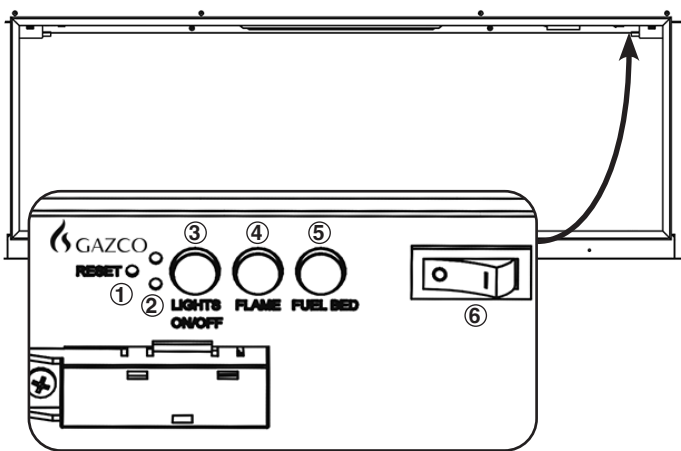
OPERATING INSTRUCTIONS



WARNING! Do not operate the appliance if it is damaged or has malfunctioned. If you suspect the appliance is damaged or has malfunctioned call a suitably quality person to inspect the appliance, and replace any part of the electrical system if necessary, before reuse.

Do not disconnect the power at the mains supply **whilst the appliance is running**. Use the functions on the remote to turn the fire off and ensure the mains switch has been moved to the off position before disconnecting.

MANUAL CONTROL PANEL



1. Remote Reset Button
2. Heater Running Indicators
3. All Lights On/Off
4. Flame Setting Button
5. Fuel Bed Setting Button
6. Mains Power On/Off

OPERATING THE APPLIANCE

Press 6 to **Turn the Appliance On/Off**.



NOTE: To use both remote and manual functions the manual on/off switch must be in 'ON' position. To prevent the product overheating, there is a 10s delay when turning on and off the heater fan.

The manual button controls basic functions. Use the remote hand set to carry out all functions.

Press 3 to **Turn Flames and Fuel bed ON/Off** at the same time.

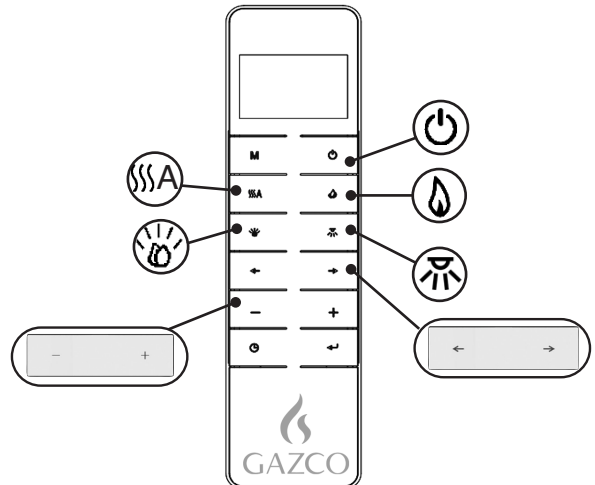
Press 4 to select the colour of flame or return to the OFF position. There are three flame colour options.

Press 5 to select the colour of fuel bed or return to the OFF position. There are fourteen fuel bed colour options.

Note: The appliance will lose the memory for the light functions when the switch is set to the Off Position or the remote runs out of power.

REMOTE CONTROL

The remote control should be left on a flat surface in the room where the appliance is installed and away from any direct flow of hot air.



- Power On/Off

- Heater

- Flames


- Fuel Bed

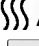
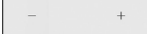

- Mood Lighting Strip


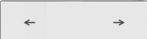
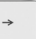
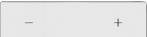

- Colour option


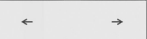
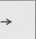
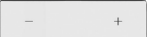
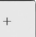
- Levels

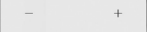
OPERATING THE APPLIANCE - QUICK START

 **Turn the Appliance On/Off**
The appliance will start on the last remembered setting.

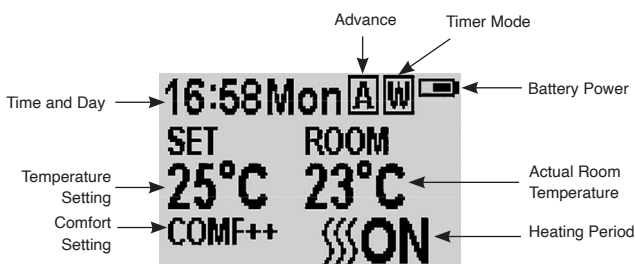
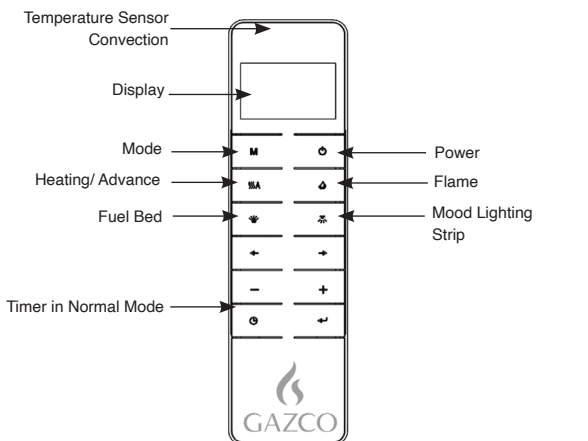
 **Turn the Heater On/Off.**
  - Increase or decrease the heat output.

 **Turn the Flame Effect On/Off.**
  - Change the colour option.
There are three flame colour options:
  - Increase or decrease the brightness level.


 **Turn the Fuel Bed Effect On/Off.**
  - Change the colour option.
There are fourteen fuel bed colour options:
  - Increase or decrease the brightness level.


 **Turn the Mood Lighting Strip On/Off.**
  - Change the colour option.
There are fourteen colour options:
  - Increase or decrease the brightness level.


OPERATING THE APPLIANCE - ADVANCED OPERATION



TURN ON/OFF

Press  button to turn on the flame effect.

Press  button to turn off all the functions under the normal heating control mode.

Press  button to turn off the flame effect under daily and week timer heating mode.

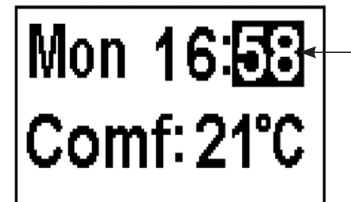
WEEK DAYS/ TIME/ COMFORT TEMPERATURE AND UNIT SETTING

Ensure the clock is set to the correct time.

Press **M** for 3 seconds.

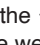
Press the '←' or '→' button to choose setting.

The selected character will be highlighted.



Press the '+' or '-' button to adjust the number.


Time: 24-hour system.
Select Comfort temperature from 15-25°C.
Temperature unit: °C/°F.

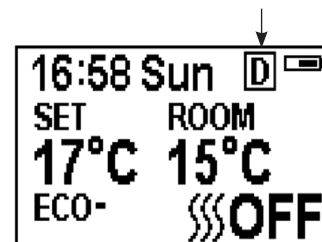
Press the  button for 3 seconds or wait 10 seconds to save and exit the week, time and heating temperature setting.


DAILY TIMER HEATING

The following heating periods have been preset, but can be altered if desired:

06:00 until 08:00
17:00 until 22:00

Press **M** until  shows at the upper right corner of the screen.

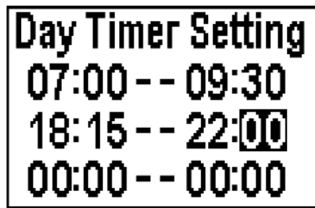


Hold the  button for 6 seconds.
3 timed heating periods can be set per day.

Press '←' or '→' to choose hour or minute.

Press '+' or '-' to set the number.

The minute increment / decrement by 15min per press.



Hold the ← button for 3 seconds or wait for 10 seconds to save and exit the heating time period setting.

Press ← to check the daily timer mode.

To turn heating off, return to Normal Control Mode.

When in Daily Timer Mode switching the appliance off with the remote will stop the light output. The heat output will continue according to the timer settings.

ADJUSTING THE SET TEMPERATURE

Press the '+' or '-' button to increase or decrease the temperature on the basis of COMF temperature.

COMF means the actual temperature is the same as setting.

ECO means the actual temperature is 2°C lower than the setting temperature.

ECO- means 4°C lower.

COMF+ means 2°C higher.

COMF++ means 4°C higher.

ADAPTIVE START CONTROL

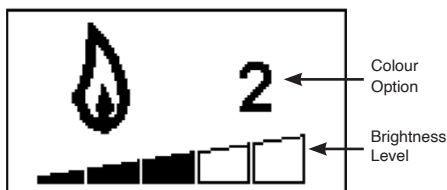
The heater will automatically determine the appropriate time to heat to ensure that it will reach the set-pointed temperature at the set time (up to 45 minutes prior to the set time).

FLAME COLOUR ADJUSTMENT

Press button.

There are 3 flame colour options.

There are 6 levels of brightness, including off.



Press the '←' or '→' button to cycle through the flame colour options.

Press the '+' button to increase the flame brightness.

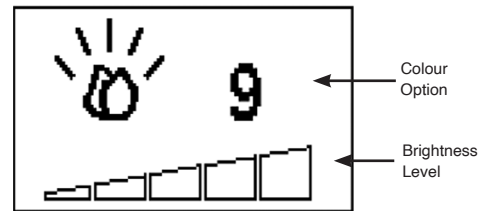
Press the '-' button to decrease the flame brightness until off.

FUEL BED COLOUR ADJUSTMENT

Press to enter the fuel bed light adjustment screen.

There are 14 fuel bed colour options.

There are 6 levels of brightness, including off.



Press the '←' or '→' button to cycle through the fuel bed colour options.

Press the '+' button to increase the fuel bed brightness.

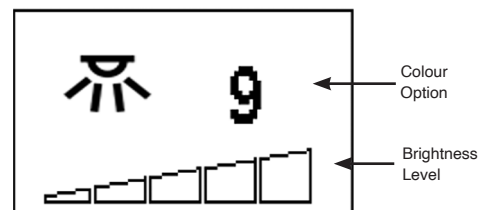
Press the '-' button to decrease the fuel bed brightness until off.

MOOD LIGHTING COLOUR ADJUSTMENT

Press to enter the Mood light adjustment screen.

There are 14 colour options.

There are 6 levels of brightness, including off.



Press the '←' or '→' button to cycle through the colour options.

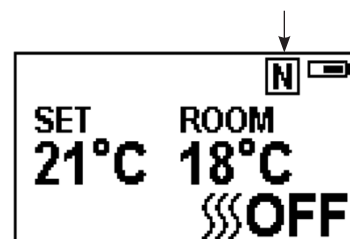
Press the '+' button to increase the brightness.

Press the '-' button to decrease the brightness until off.

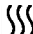
NORMAL CONTROL MODE

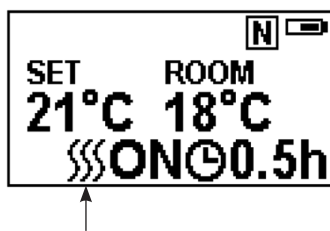
Normal Control Mode is the default setting.

Press **M** button until the **N** logo is shown



Press the '+' or '-' button to adjust the setting temperature from 17 °C to 25°C.

Press  A button to turn the heat on/off.




Note: It is normal for the fan heater to stop running for periods of time. This happens if the room temperature is higher than the temperature set on the control.

The heater indicator will be turned off after 10s if the flame is switched ON. The heater indicator will stay ON if only the heating function is used.

When in Normal Control Mode switching the appliance off with the remote will stop both the light and heat output.

COUNT DOWN TIMER

This setting is only in normal heating control mode. It allows the appliance to be returned to Standby after a set period of time. The heater must be switched on to use this function.

Press  to cycle through the setting from Off and 0.5 hours to 9 hours. Timer logo and remaining time will show on the screen.

The heater of appliance can be automatically run by using daily timer and weekly timer.

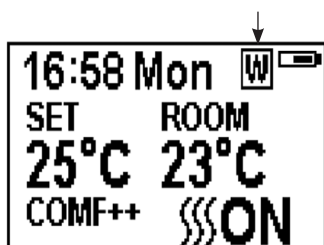
WEEK TIMER HEATING

The following heating periods have been preset, these can be altered if desired:

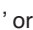
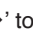
From Monday to Friday
06:00 until 08:30
17:00 until 22:00

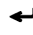
From Saturday to Sunday
06:30 until 09:30
11:00 until 13:00
17:00 until 22:00

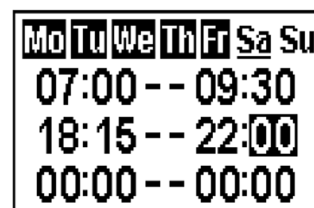
Press **M** until  shows.




Hold the  button for 6 seconds.

Press '' or '' to move the cursor (a flashing underline).

Press the  button in the corresponding week position to select (the character is highlighted) or cancel (the character is displayed normally) the current setting, the same time period can be selected together.




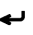
Press the '' button to move the cursor to the time period setting area.


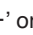
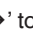
Press '' or '' button to choose hour or minute.

Press '+' or '-' to set the number.

A maximum of 3 timed heating periods can be set per day. Minute increment / decrement by 15min per press.

Press  to set the heating time for the selected day and return to the week line.

Hold the  button for 3 seconds or wait for 10 seconds to save and exit the heating time period setting.

Press  '' or '' to check the timer setting for the week timer heating mode.

To turn heating off, return to Normal Control Mode.

When in Weekly Timer Mode switching the appliance off with the remote will stop the light output. The heat output will continue according to the timer settings.

ADJUSTING THE SET TEMPERATURE

Press the '+' or '-' button to increase or decrease the temperature on the basis of COMF temperature.

COMF means the actual temperature is the same as setting.

ECO means the actual temperature is 2°C lower than the setting temperature.

ECO- means 4°C lower.

COMF+ means 2°C higher.

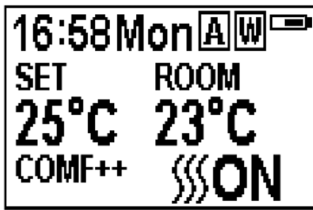
COMF++ means 4°C higher.

ADAPTIVE START CONTROL

The heater will automatically determine the appropriate time to heat to ensure that it will reach the set-pointed temperature at the set time (up to 45 minutes prior to the set time).

ADVANCE MODE

The heating state can be advanced to the next period under both the daily and week timer heating mode.

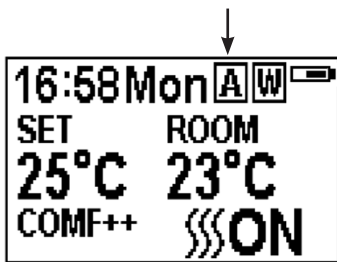


If the heater is on in the current period, pressing the button will turn the heater off.

If the heater is off in the current period, pressing the button will turn the heater on.

Heating output depends on the room temperature and setting temperature.

Press **[[[A]** to enter the Advance mode under the daily and week timer heating mode.



Press **[[[A]** again or timer period ends will exit the Advance mode.

WINDOW OPEN DETECTING

When the transmitter detects a rapid drop in room temperature, it will be judged as an open window: the warning icon will be displayed and the heating will be turned off automatically.



After indoor temperature rise or manual intervention (by operating remote control), it will return to normal working state.

OPERATING THE APPLIANCE - TROUBLESHOOTING

BATTERY

The battery power level is indicated at the top right of the remote control screen.

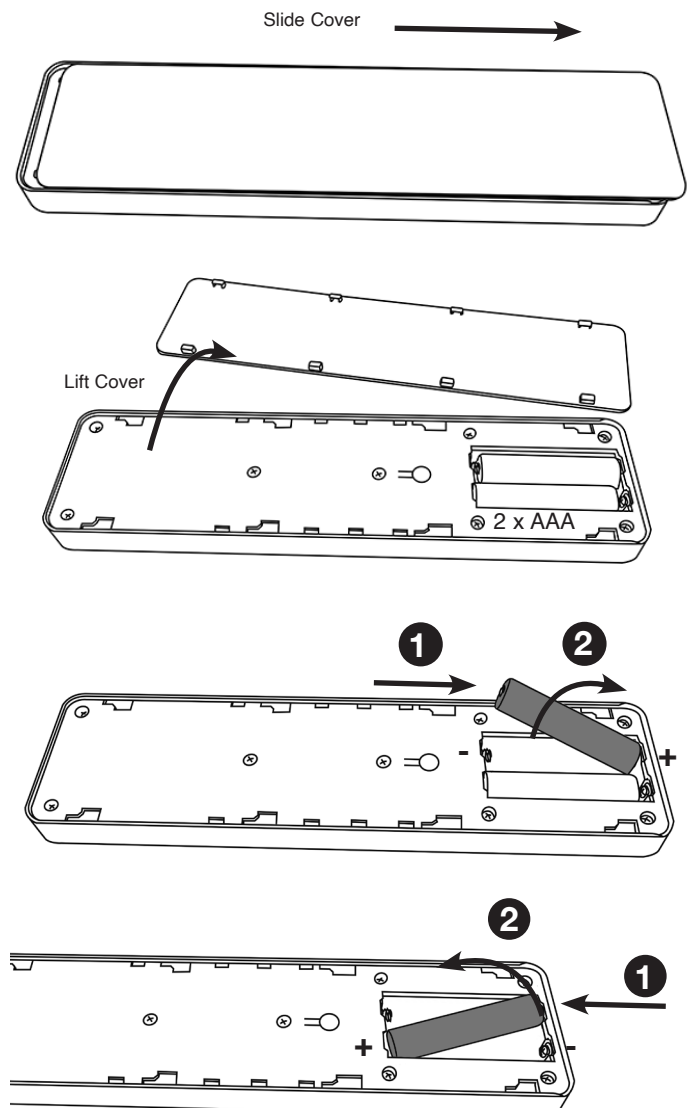
	Battery Full	No action required
	Battery Half Power	Ensure new batteries are available.
	Battery Empty	Replace batteries immediately



NOTE: The remote control has a **Battery Status** indicator (top right corner), after an extended period of displaying empty the LED screen will cease to function despite the handset still being able to send commands. **Replace the batteries to restore display.**

BATTERY REPLACEMENT

Exhausted batteries are to be removed from the appliance and safely disposed of.



Ensure that the handset batteries are new and inserted correctly.

Dispose of old batteries at an appropriate recycling facility.

Battery replacement is recommended after 1 year.
The Remote requires two 1.5V alkaline AAA batteries.

Ensure the correct polarity.
Do not short circuit the terminals.

Do not attempt to recharge non-rechargeable batteries.

Remove rechargeable batteries before charging.

Do not mix old and new batteries.

Remove batteries if the appliance is not used for long periods.

**Changing the batteries will not affect the Timer Mode settings.
Ensure the clock is set to the correct time.**

i **NOTE:** To use both remote and manual functions the manual on/off switch must be in 'ON' position. In order to prevent the product becoming too hot, there is 10s delay when turning on the heater and a 10s delay when turning off the heater fan.

The manual button controls basic functions, not a full range of controls. Use the remote hand set to carry out all functions.

HEATER RUNNING INDICATORS

When the fan heater is used in conjunction with the flame or fuel bed effects the heater running indicators will light up for 10 seconds.

The LEDs will illuminate for 10 seconds if the flame or fuel bed effect is On.

If the fan heater is used independently, the heater running indicators will stay on.

RESET BUTTON FOR REMOTE CONTROL

If the handset loses signal or needs to be replaced then, see Servicing Instructions for details.

SIGNAL CODE

The handheld transmitter is configured in the factory with a unique signal code.

IMPORTANT: If the handset loses signal or needs to be replaced, see Servicing Section for details.

MAINTENANCE

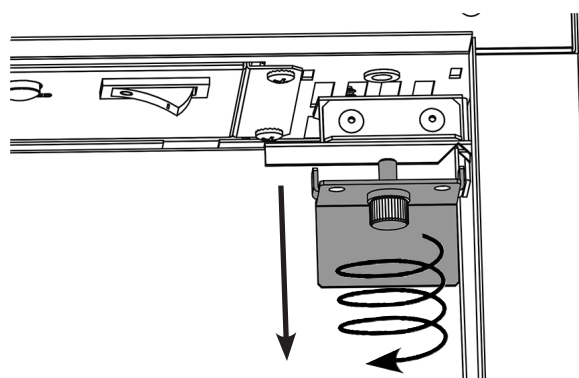
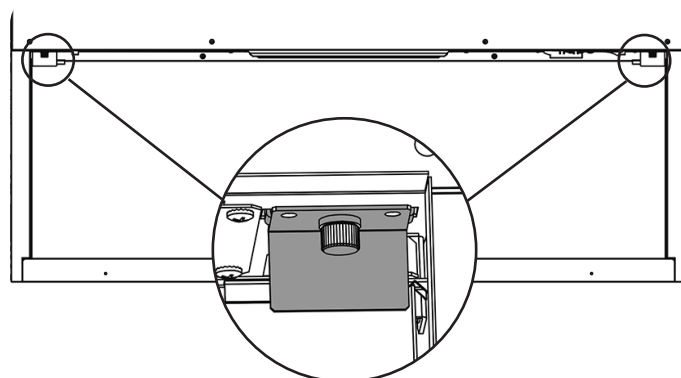
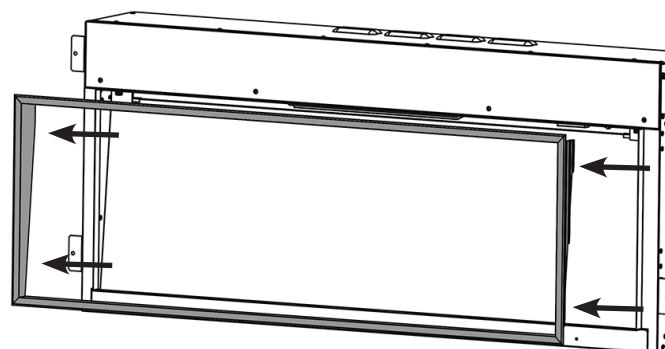
ENSURE THE APPLIANCE IS TURNED OFF BEFORE CLEANING.

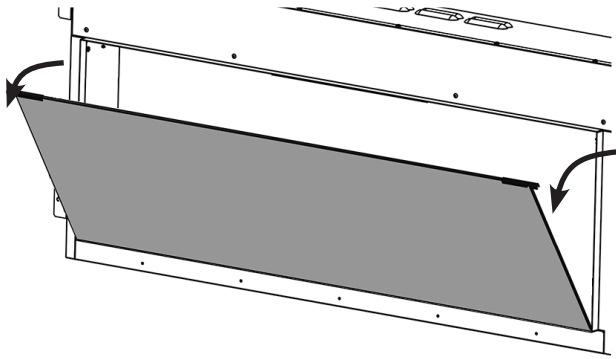
GLASS CLEANING

Wipe the glass viewing panel with a damp cloth and buff with a lint free duster.

Caution: Do not use abrasive cleaners on the glass panel. Do not spray liquids directly onto any surface of the unit.

CLEANING THE FUEL EFFECT





Remove and wash the fuel effect to remove any dust particles. Alternatively clean with a lint free duster.

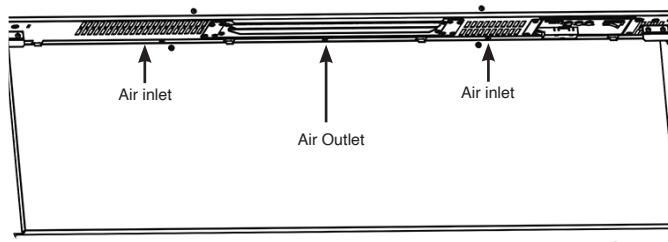
Ensure that the effect is dry before replacing.

Replace the fuel effect see Installation Instructions Section 5 for layout.

Replace in reverse order.

CLEANING AIR INLETS

Clean the air inlet and outlet grilles regularly with a soft cloth or the nozzle of a vacuum cleaner.



Dust build-up can inhibit efficient performance of the fan and lead to the safety cut-out operating.

Keep the area around the appliance clean and free of fluff, dust or pet hair.

In particular, build-up of dust etc. can occur around the heater area. Take particular care to keep this area free from such particles on a regular basis to prevent build-up.

INSTALLATION INSTRUCTIONS

GENERAL

TOOLS REQUIRED

A Screwdriver, Spirit Level, Saw and Drill will be needed.

UNPACKING THE FIREPLACE

WARNING! DO NOT use this appliance if any part has been exposed to water.

Immediately call a qualified service technician to inspect and to replace any part of the electrical system if necessary.

Open the packaging carefully and remove the polystyrene.
Remove and discard the plastic bag.
Keep plastic wrapping away from children.
Be responsible when handling the packing materials.

Check all parts and accessories are removed before disposing of any packaging.
If necessary keep the original packaging for future transport and/or storage.

Test the appliance before installation.

FITTING THE APPLIANCE

LOCATING THE ESTUDIO

Your new eStudio may be installed virtually anywhere in your home. However, when choosing a location ensure that the general instructions are followed.

For best results, install out of direct sunlight.

The heater should ideally be fitted into/onto an internal flat wall constructed from either studwork and plasterboard block/brick. The fixings provided are for use on brick walls ONLY. Please ensure that suitable fixings are used when securing to any hollow or purpose built cavity.

NOTE: This appliance is not suitable for fitting to a Cavity Wall, backing on to an outside wall, an open chimney or any opening that may be subject to damp and draft, unless adequate precautions are taken to avoid the appliance coming into contact with moisture or excessive drafts. In such installations, any existing chimney and/or purpose provided air vents should be fully sealed.

Make sure there are no pipes or cables behind the area to be drilled or cut.

Always ensure the appliance is adequately supported and sits on a firm structure when mounting above floor level.

The appliance should ideally be located close to a suitable mains socket to enable connection. An extension could be run from an existing socket outlet but this must be carried out by a suitably qualified person.

The electrical socket must be easily accessible to allow disconnection when the appliance is fitted.

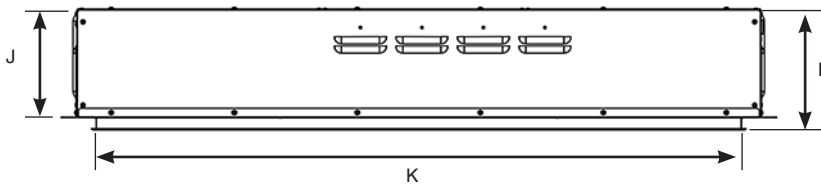
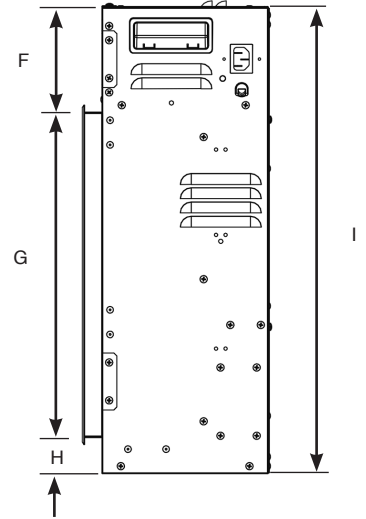
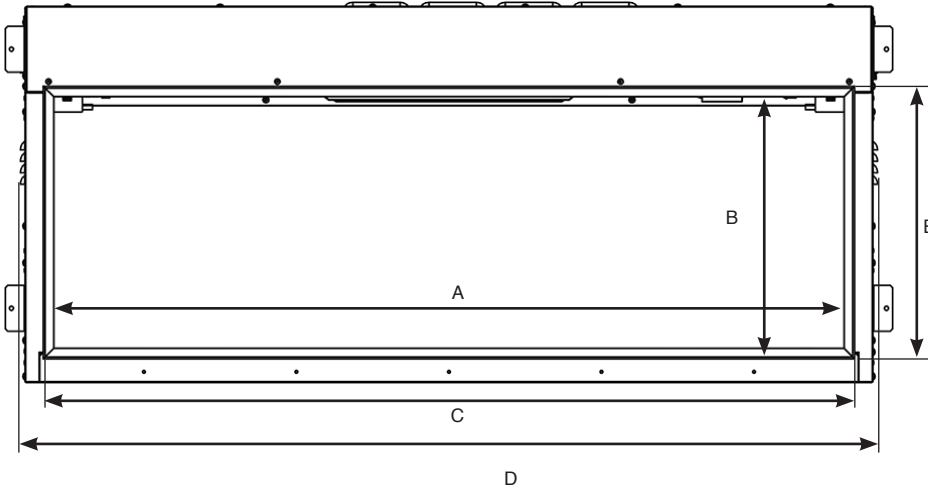
If the power cord is damaged, it must be repaired by the manufacturer, its authorised service centre or professional person.

Ensure that curtains and furniture are not positioned close to the chosen position, as this would create a potential fire hazard or block the heater outlet ducts.

WARNING! KEEP ALL COMBUSTIBLE MATERIALS AT LEAST 1M FROM THE FRONT OF THE ELECTRIC FIREPLACE.

TECHNICAL SPECIFICATION

eSTUDIO 60R	eSTUDIO 85R	eSTUDIO 105R	eSTUDIO 135R	eSTUDIO 165R
223-403	223-417	223-439	223-465	223-476



	A	B	C	D	E	F	G	H	I	J	K	L
eStudio 60R	600	600	628	688	628	112	614	38	764	204	614	225
eStudio 85R	836	330	864	924	358	112	344	38	494	175	850	196
eStudio 105R	1036	330	1064	1124	358	112	344	38	494	175	1050	196
eStudio 135R	1336	330	1364	1424	358	112	344	38	494	175	1350	196
eStudio 165R	1574	330	1602	1662	358	112	344	38	494	175	1588	196

CONTROL SYSTEM TECHNICAL DATA

	MAIN CONTROL BOARD	REMOTE RECEIVER BOARD	REMOTE CONTROL
Hardware	RC01-043A03 V0.	RF290B V1.2	RF290A-TX V1.3
Software	RC01-043A03 V0.	-	RF290C V06.0.HEX
Frequency	-	-	ASK/OOK 433.92MHz
Maximum Transmit Power	-	-	10mW

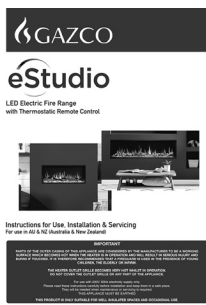
Maximum power consumption:

eStudio 60R	1830 - 2000 Watts
eStudio 85R	1830 - 2000 Watts
eStudio 105R	1830 - 2000 Watts
eStudio135R	1830 - 2000 Watts
eStudio 165R	1830 - 2000 Watts

A 220-240VAC 50Hz 10A supply is required
This product must be earthed.

A 1.8 metre lead is supplied.
 2 x Remote control handset battery (AAA).

PACKING CHECKLIST



x1



x1



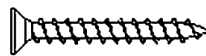
x2 (AAA)



x1



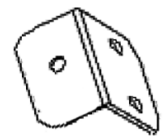
x10 (ST4x8)



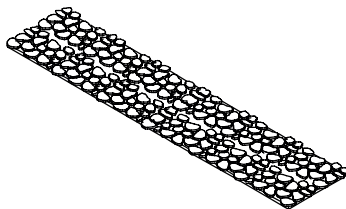
x4 (ST4x40)



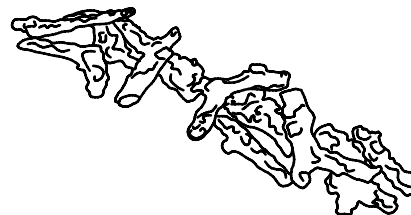
x1



x4



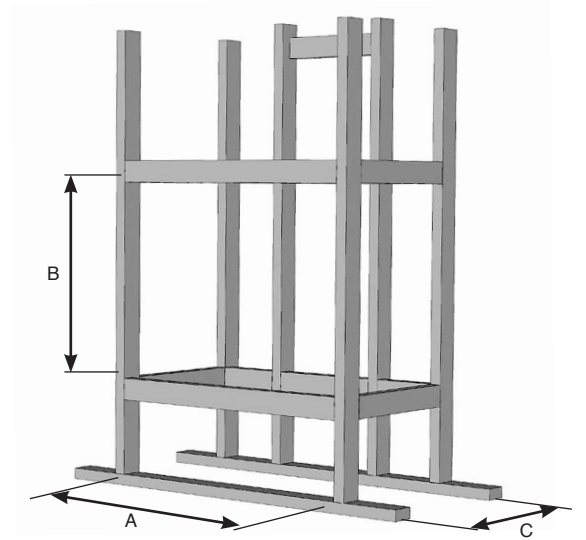
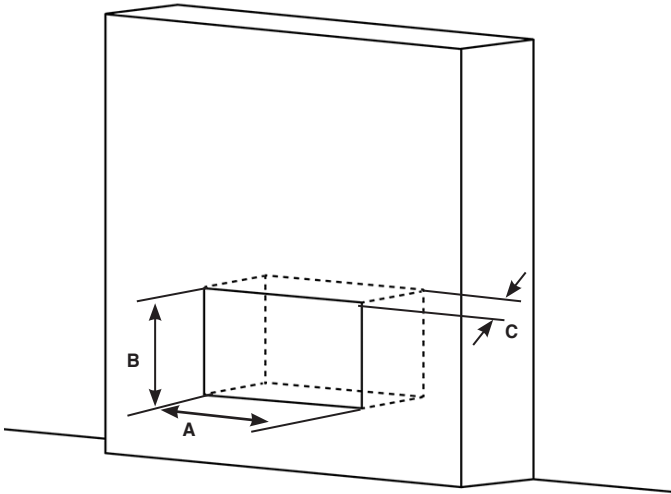
x1



x1

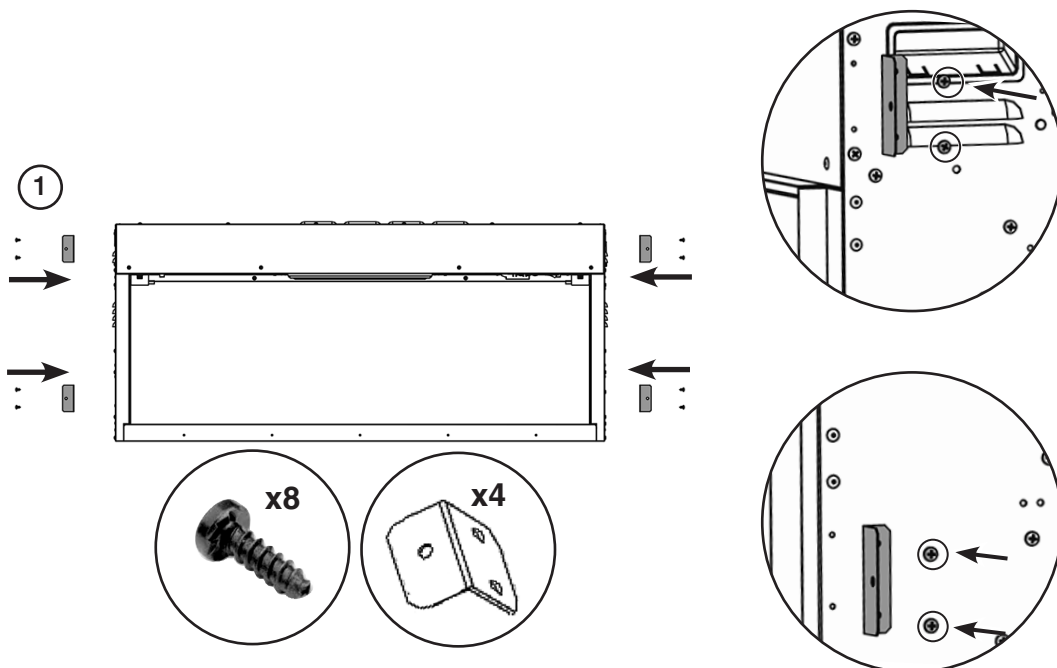
INSTALLATION INSTRUCTIONS

CAVITY CONSTRUCTION



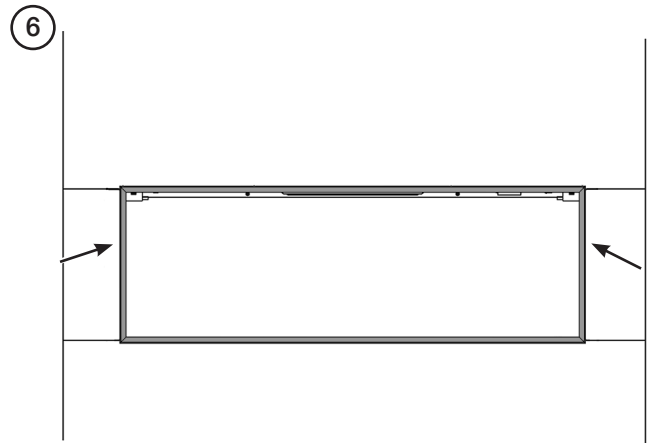
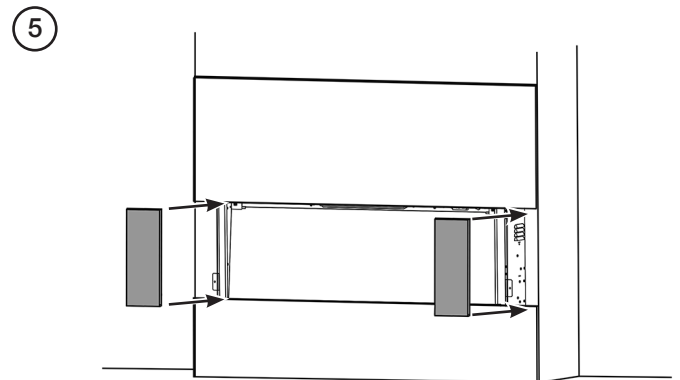
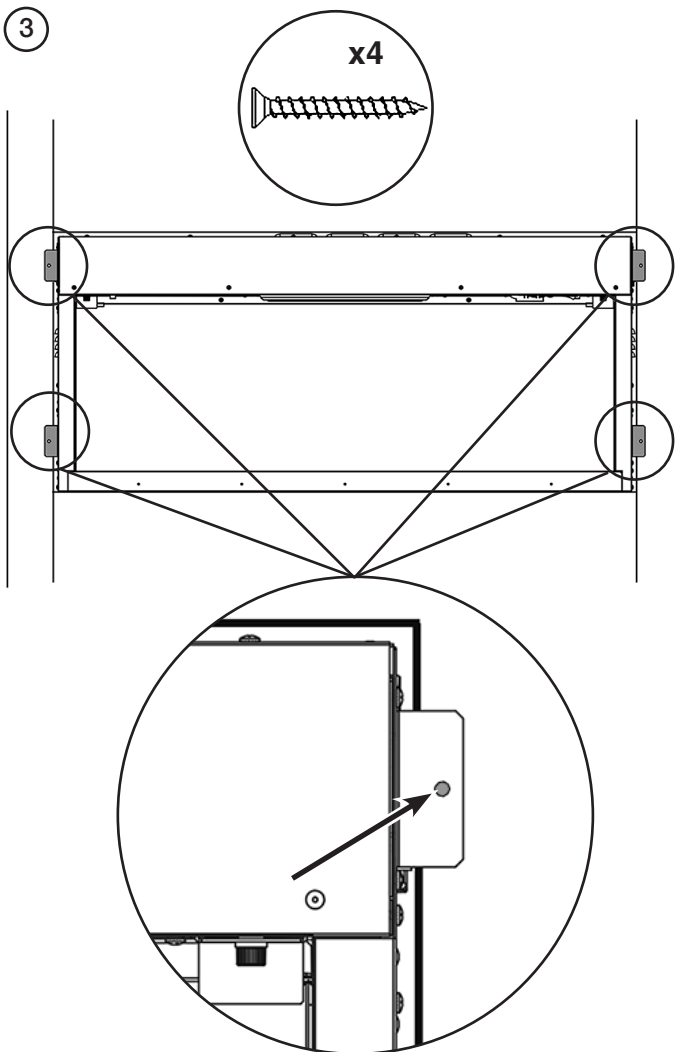
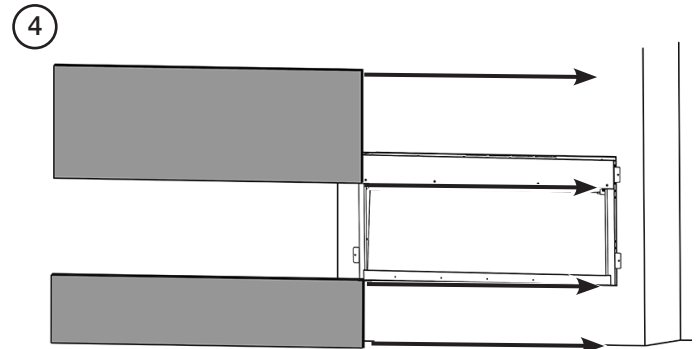
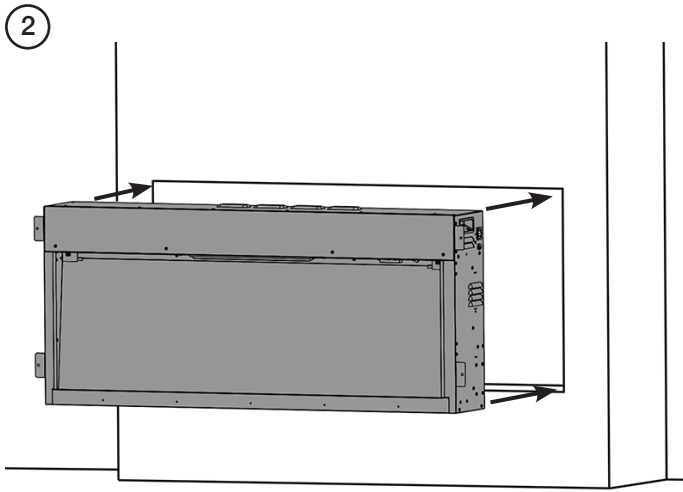
	A	B	C
eStudio 60R	705	790	223
eStudio 85R	941	520	193
eStudio 105R	1141	520	193
eStudio 135R	1441	520	193
eStudio 165R	1679	520	193

PRE-INSTALLATION



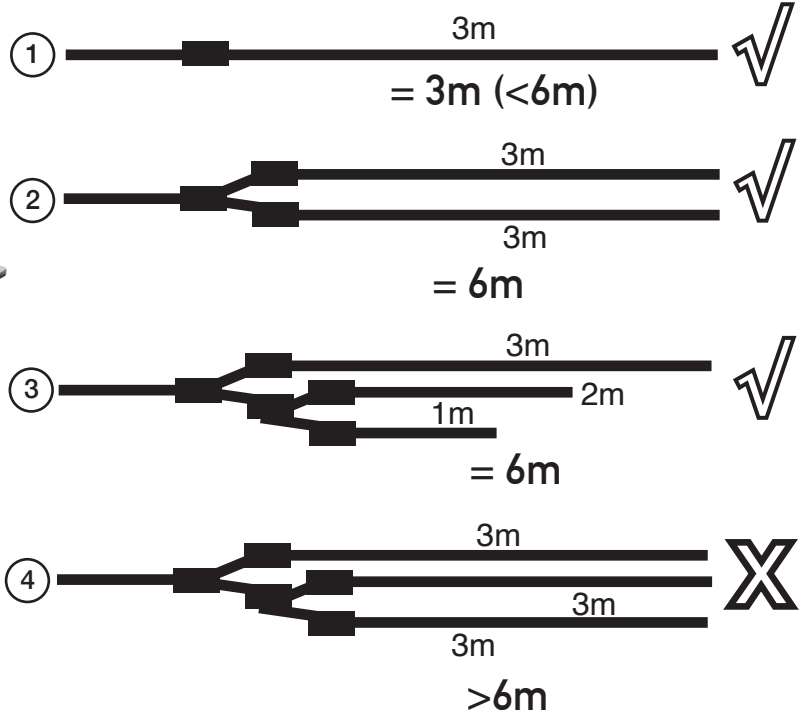
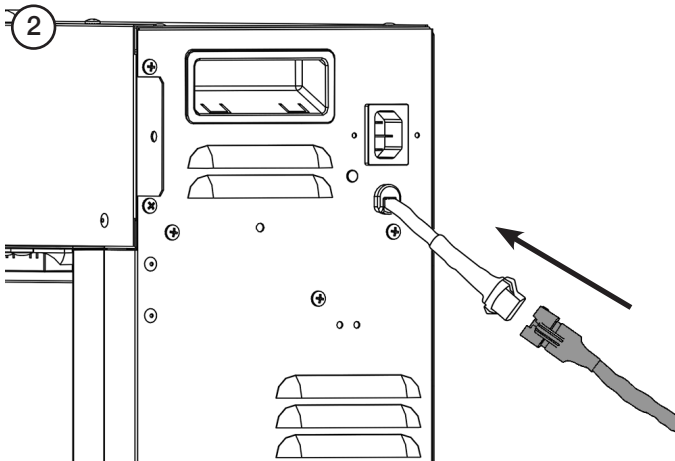
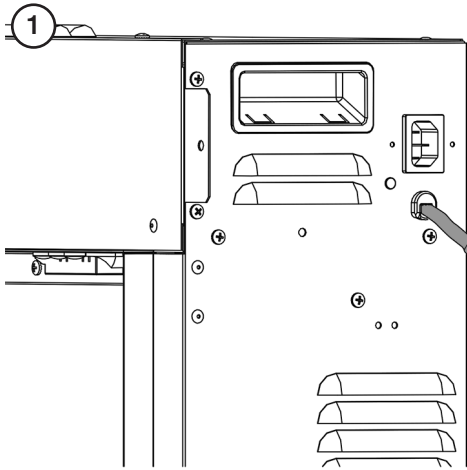
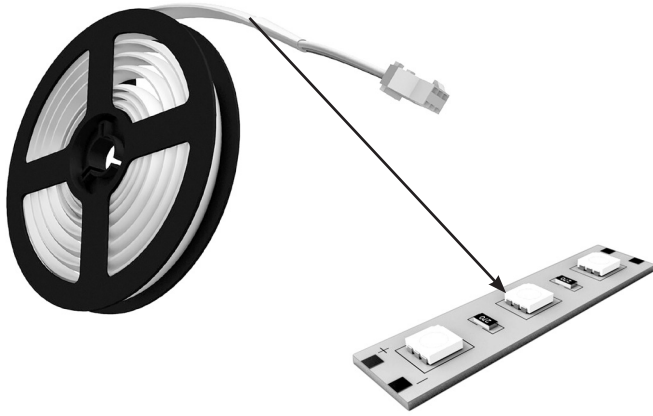
INSTALLATION INSTRUCTIONS

INSTALLATION

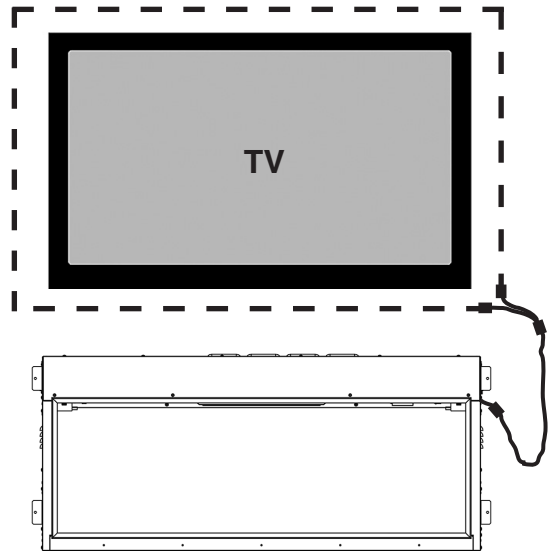


OPTIONAL LED MOOD LIGHTING

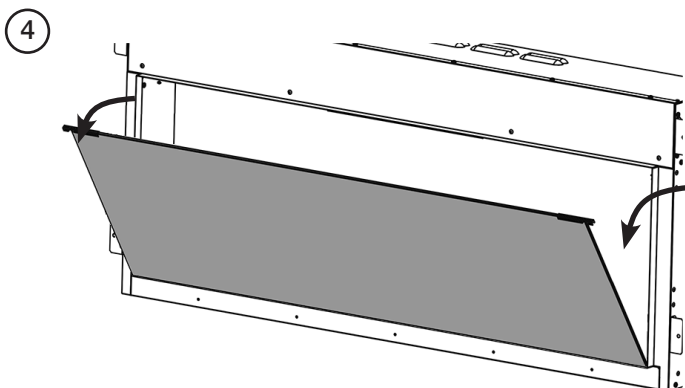
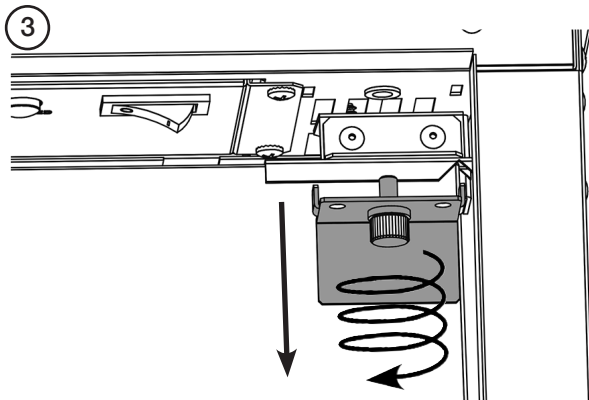
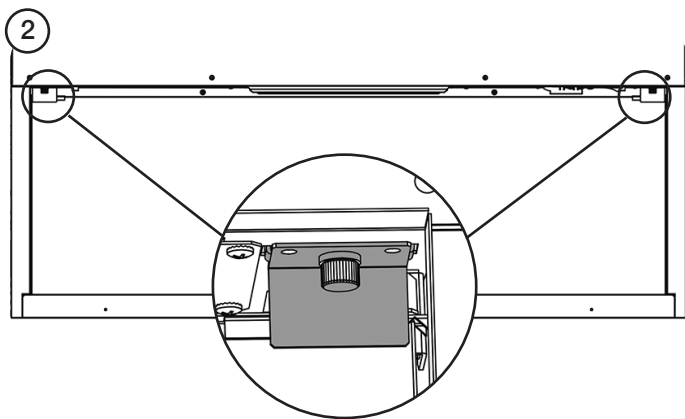
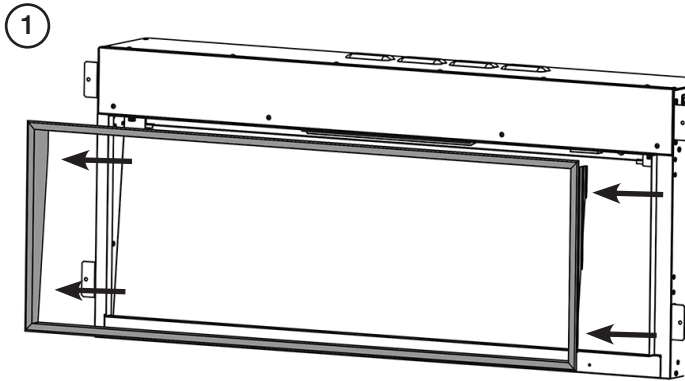
The eStudio can be enhanced by an optional LED Mood Lighting Strip.



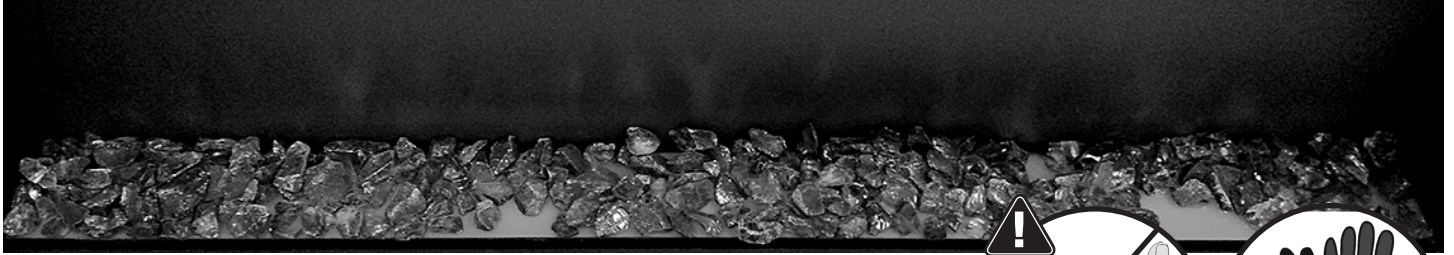
Example



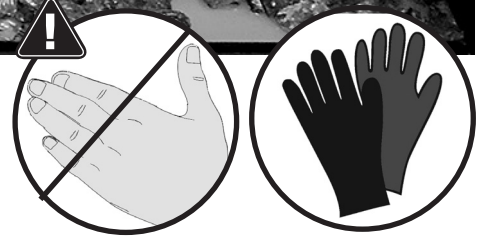
ACCESSING THE FUEL BED



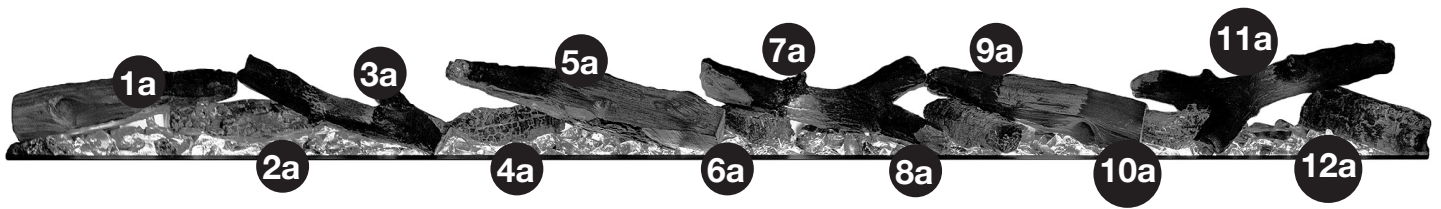
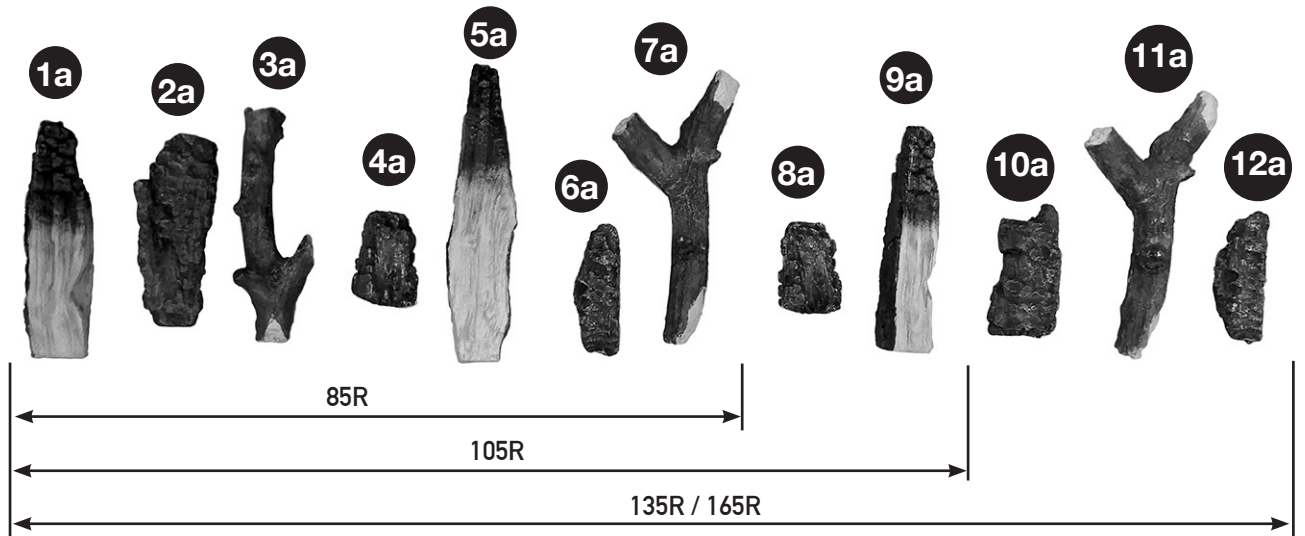
GLASS EMBERS



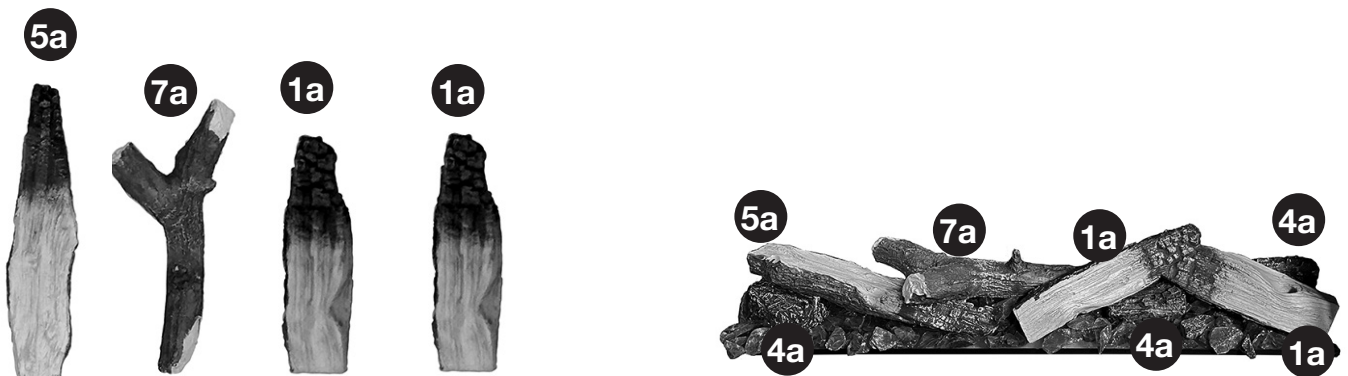
Spread the Glass Embers evenly over the fuel bed.
 Note: The Ember Logs (See Log Layout) will rest directly on the fuel bed).



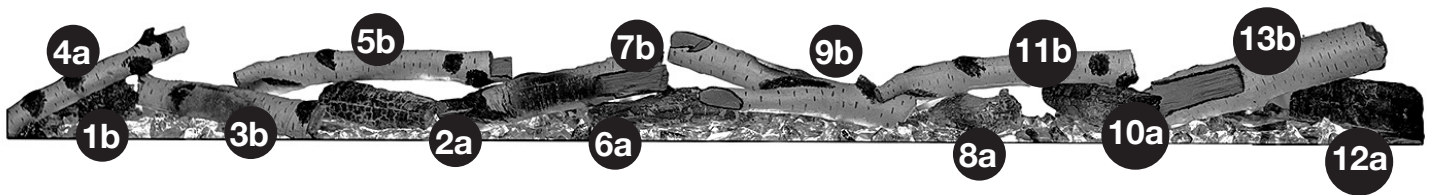
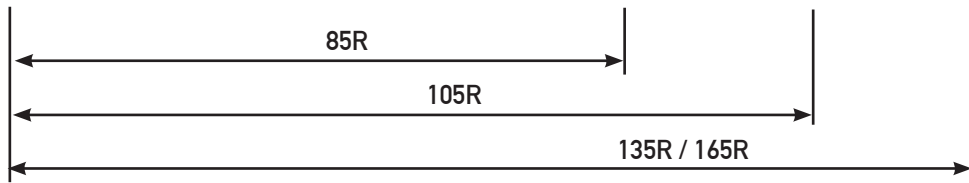
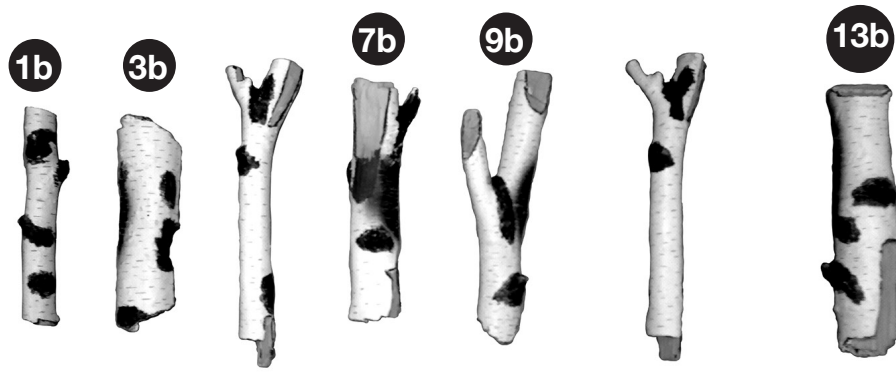
OAK LOG SET - LOG LAYOUT



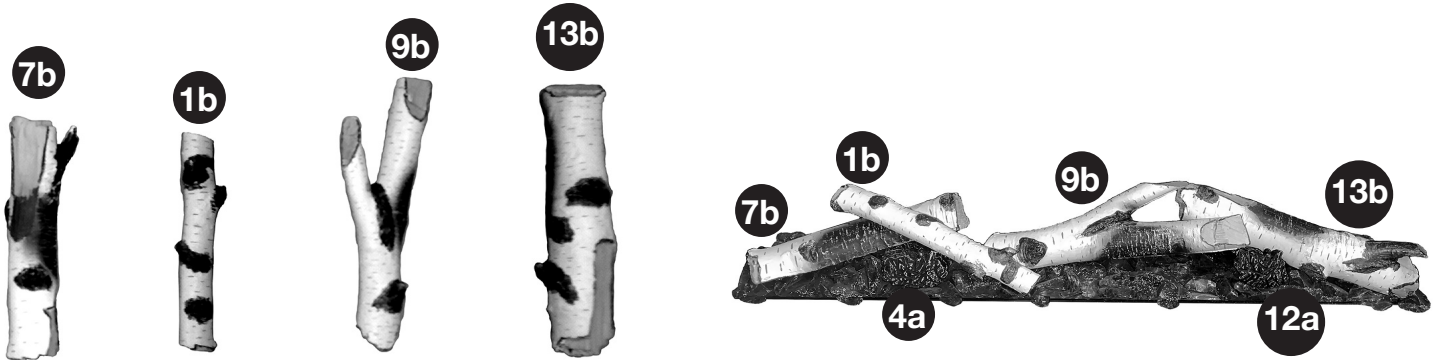
60R



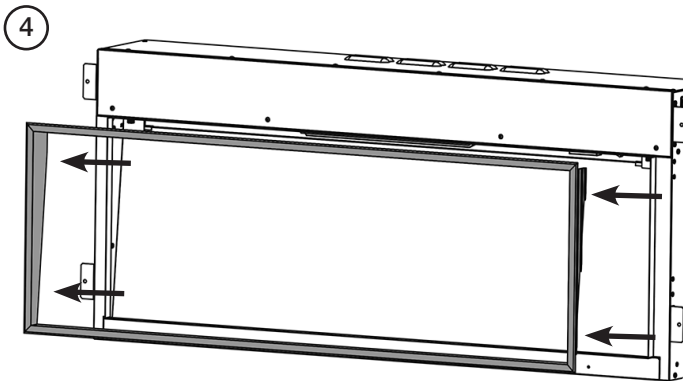
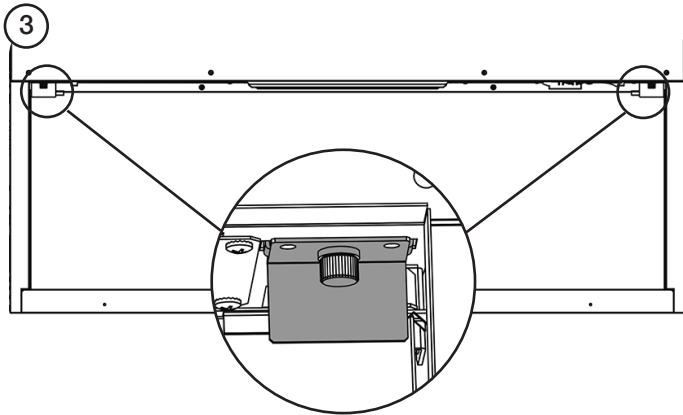
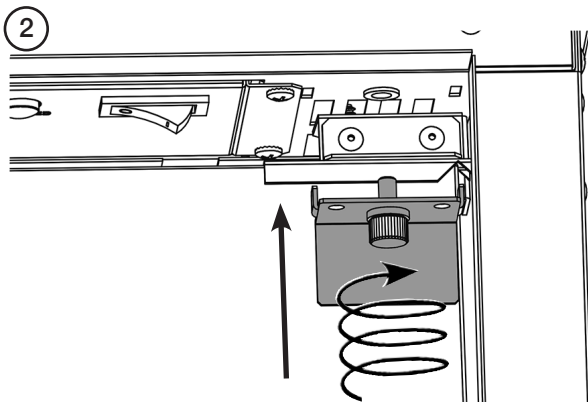
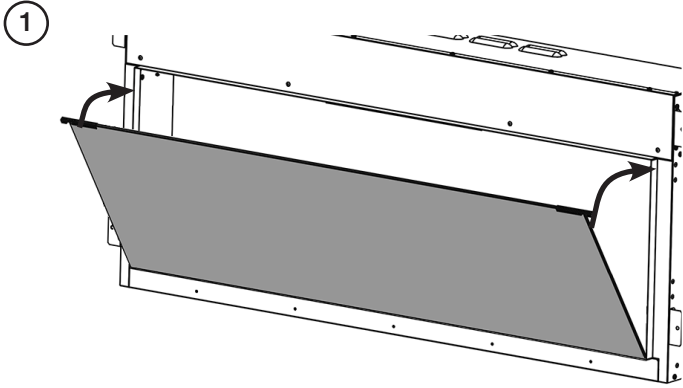
OPTIONAL SILVER BIRCH SET - LOG LAYOUT



60R



COMPLETION OF ASSEMBLY



SERVICING INSTRUCTIONS

SERVICING REQUIREMENTS



DURING SERVICING OF THIS APPLIANCE IT MAY BE NECESSARY TO CUT CABLE TIES IN ORDER TO ACCESS AND REMOVE SOME OF THE PARTS. THESE MUST BE REPLACED WHEN REASSEMBLING THE APPLIANCE.

THIS APPLIANCE MUST ONLY BE SERVICED BY A SUITABLY QUALIFIED PERSON.

BEFORE UNDERTAKING ANY WORK ON THE APPLIANCE: SWITCH OFF THE APPLIANCE AND ISOLATE THE POWER SUPPLY ENSURING THERE IS NO POWER TO THE APPLIANCE.

Wait for at least 10 minutes until the appliance has cooled down.

Remote Handset Battery Replacement

Replace with 2 AAA batteries. Make sure the batteries are installed correctly in the remote control.



NOTE: The remote control has a Battery Status indicator (top right corner), after an extended period of displaying empty the LED screen will cease to function despite the handset still being able to send commands. Replace the batteries to restore display.

Maintenance of Motors

The motor used on the flame effect is pre-lubricated for extended bearing life and requires no further lubrication. However, periodic cleaning/vacuuming of the heater unit is recommended.

Resetting the Thermal Cutout Switch

The appliance is fitted with an Electronic Safety Control (E.S.). This is a safety device which switches off the fire if, the appliance overheats for any reason e.g. when covered.

If the heater stops operating whilst the flame effect continues normally, this indicates that the E.S. Control is in operation. The E.S. Control can only be re-set after the appliance has cooled down.

To re-set the E.S:

Switch off the appliance (Manual On/Off switch) and leave for approximately 120 minutes.

Remove any obstruction to the fan heater outlet or other internal parts.

Switch on appliance and the E.S. Control will re-set. Ensure that the appliance is functioning correctly. If the E.S. Control operates again, the appliance should be checked by a suitably qualified person.

FAULT FINDING

No illumination or uneven lighting:

First change the fuse for one known to work. If the appliance still does not work, check the socket by plugging in a working appliance. If this too fails to operate, call in a suitably qualified person to check the socket.

One or more of the LED boards will need replacing. This must be undertaken by a suitably qualified person.

Illumination but no heat:

The safety cut-out has operated to protect against overheating. Ensure the air inlet and outlet grilles are free of dust or any other obstruction.

The thermostat control may be set too low. Increase the setting by pressing the thermostat button on the remote control until the heater turns on.

Remote control fails to work:

Check that the batteries are new and correctly fitted. Replace if necessary.

Ensure that the handset is pointed towards the fire.

PAIRING THE REMOTE CONTROL TO THE APPLIANCE

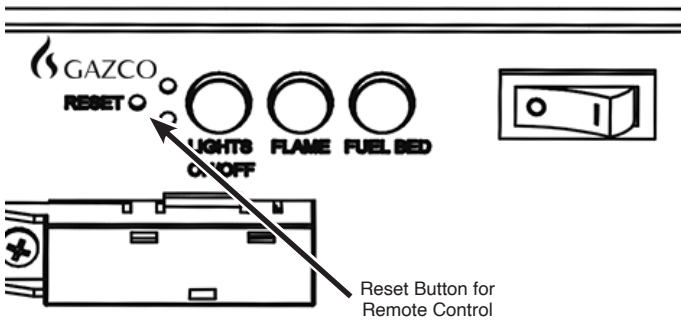
Signal Code

The below operations should be carried out before coding when changing to a new remote or the unit cannot be controlled by the remote:

The reset button is located on the control panel located on the right-hand side.

Press the reset button for 3 seconds (a pen point may be needed) until 3 short beeps sound from the unit, release the button.

Within 10 seconds, press the button on remote. The coding is finished when 1 long beep sounds from the unit.



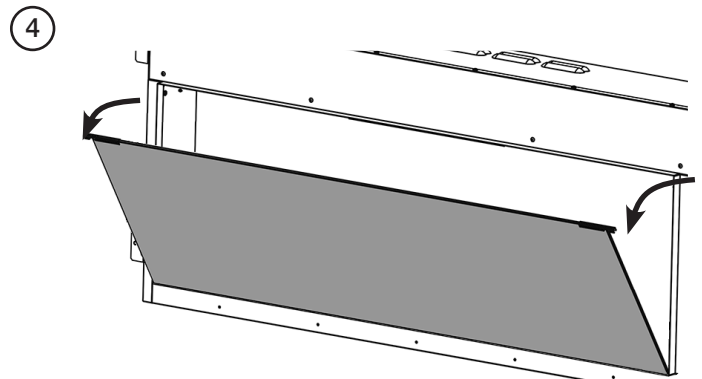
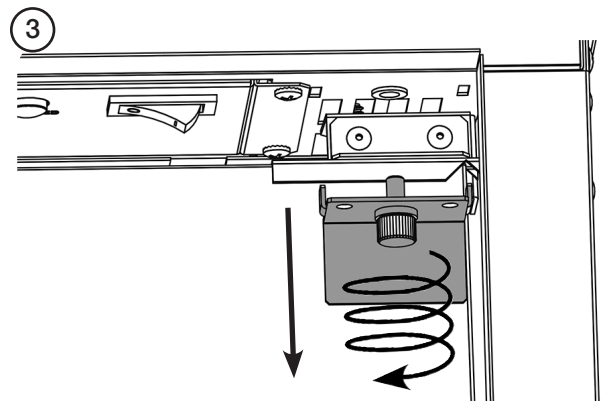
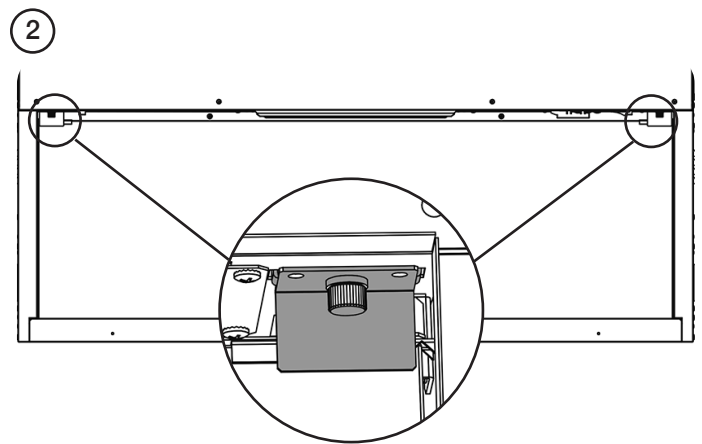
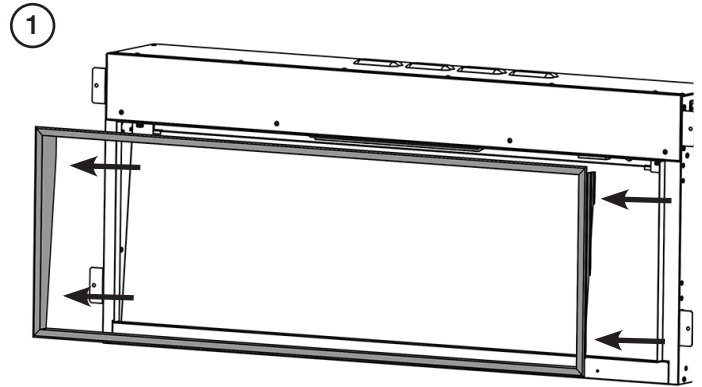
Resetting of the remote control is necessary if the appliance operates wrongly due to external interference signal and the remote control is not in use.

Open the back cover of the Remote.

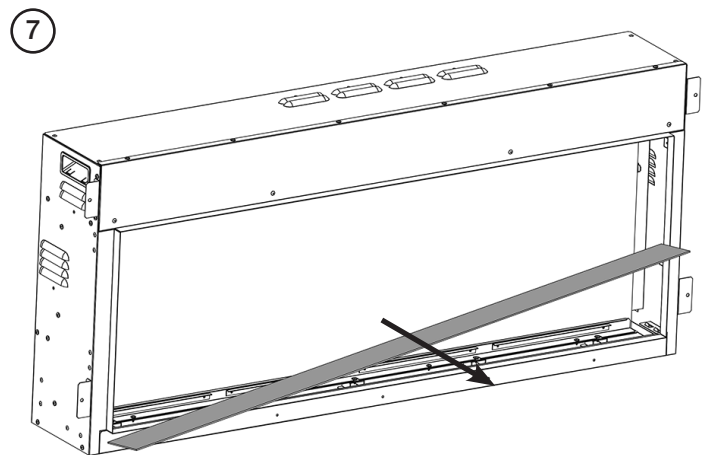
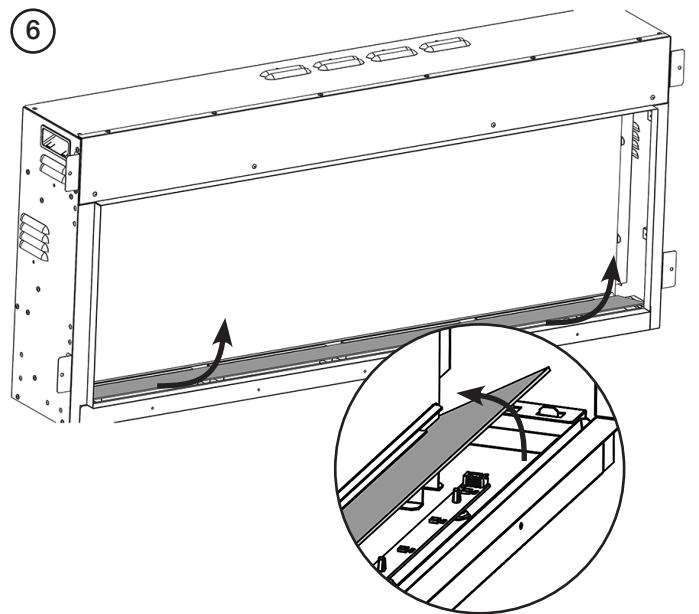
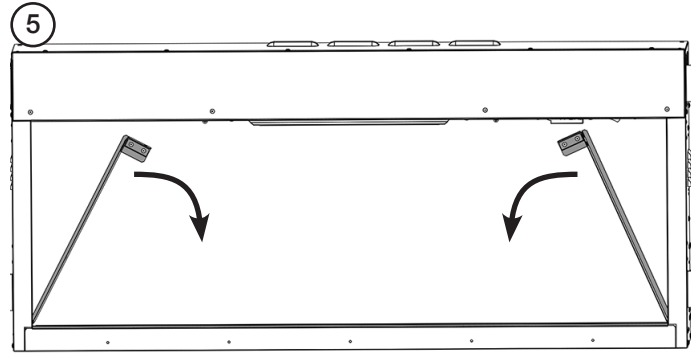
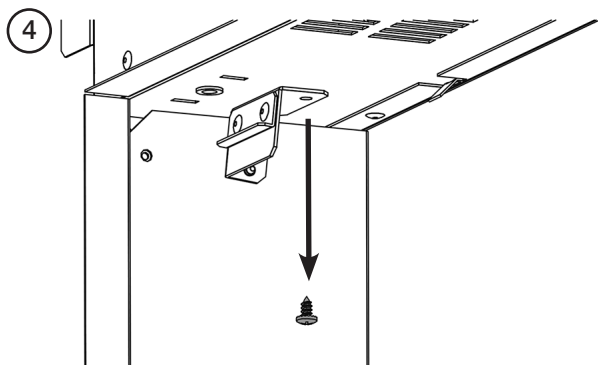
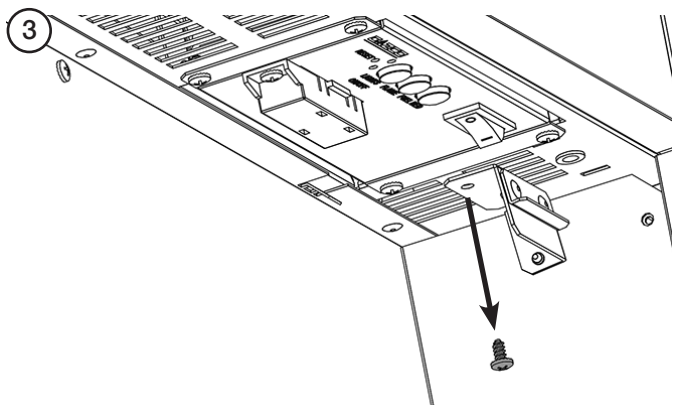
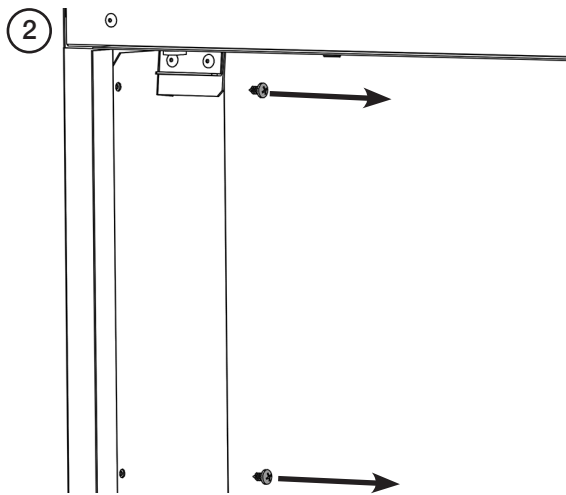
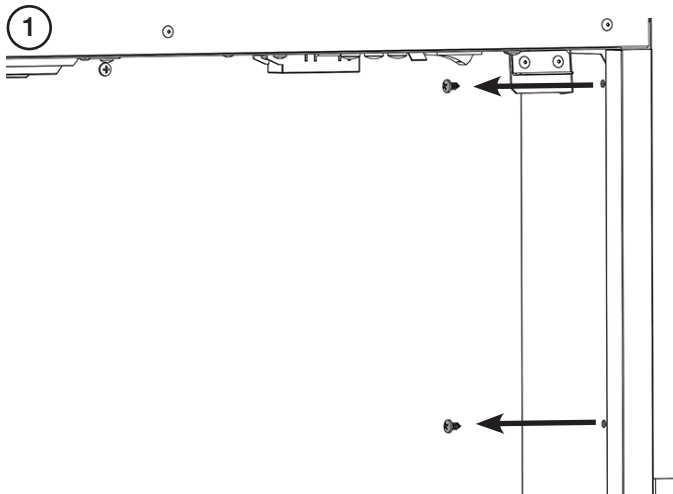
Press the Reset button for 3 seconds and reset the coding



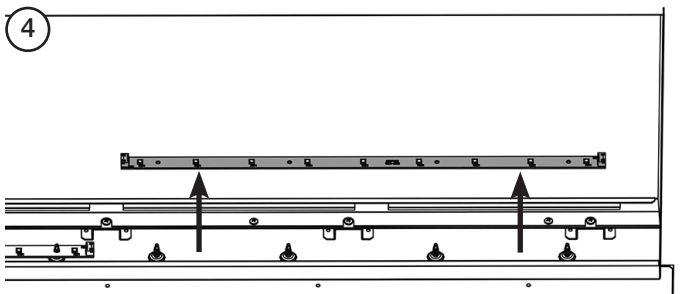
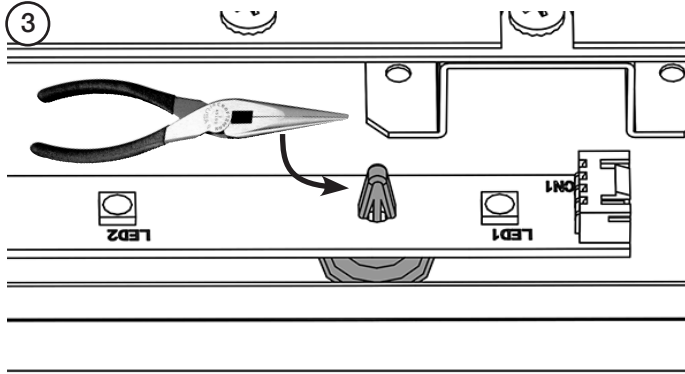
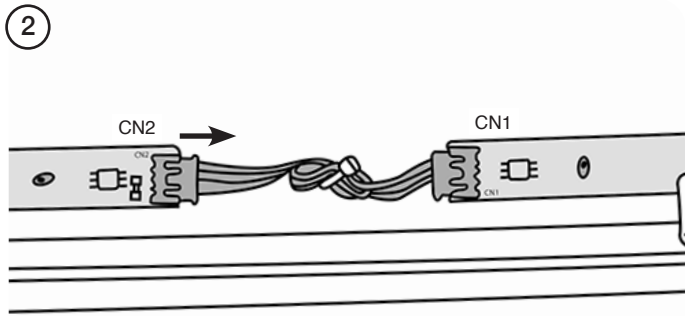
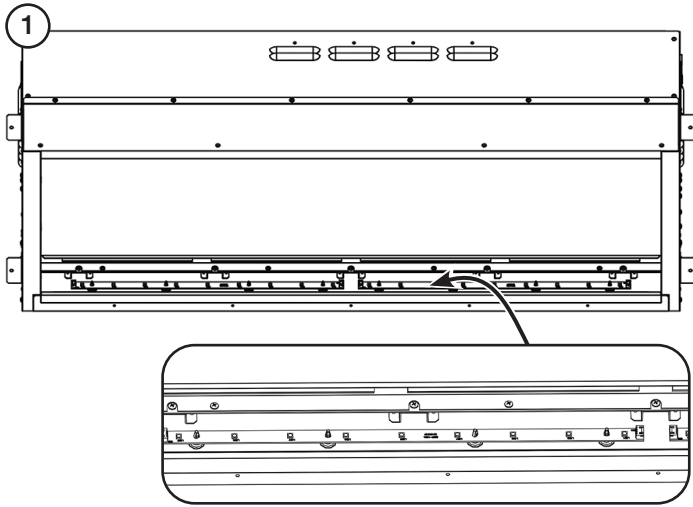
ACCESSING THE FUEL BED



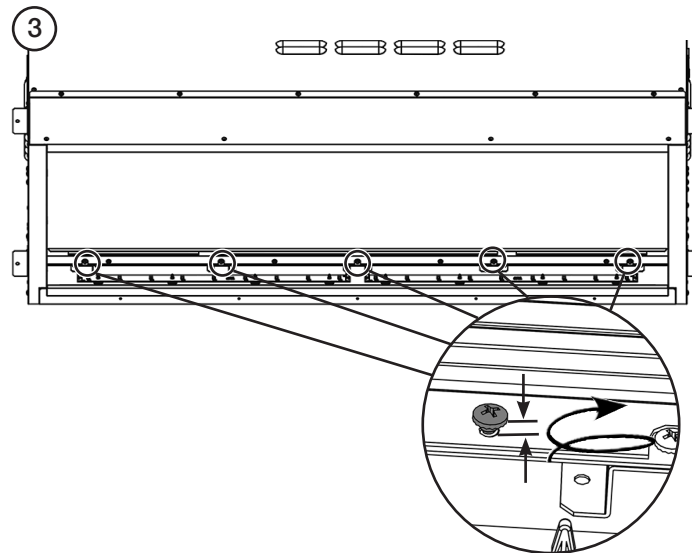
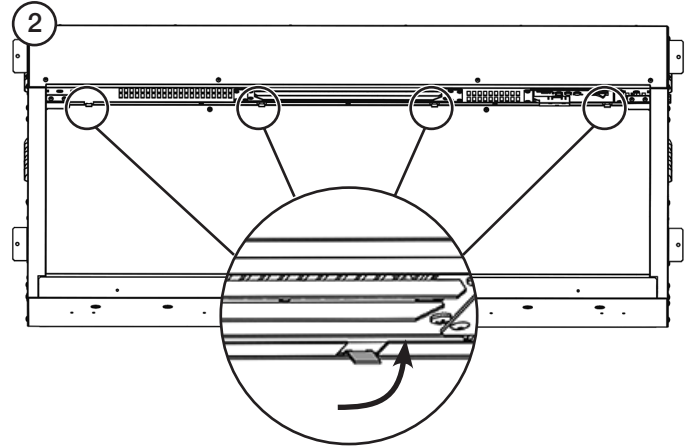
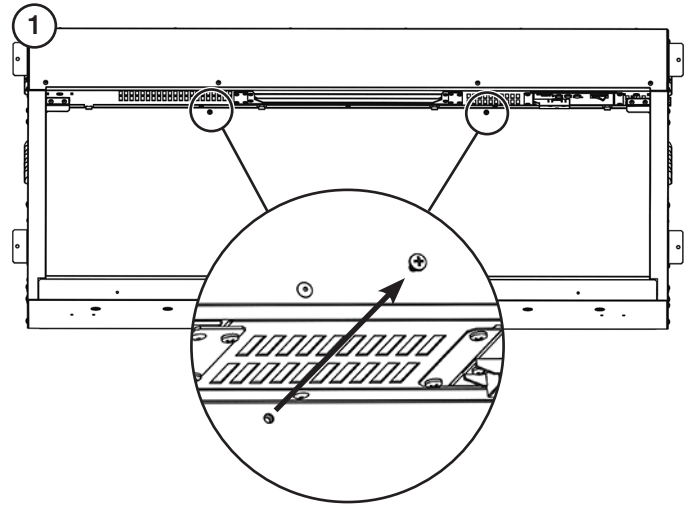
REMOVING THE FUEL BED

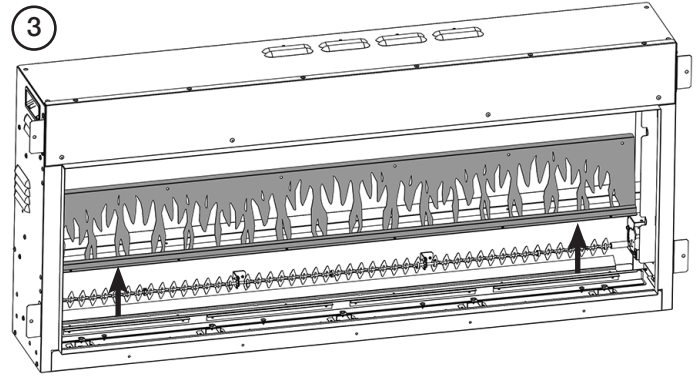
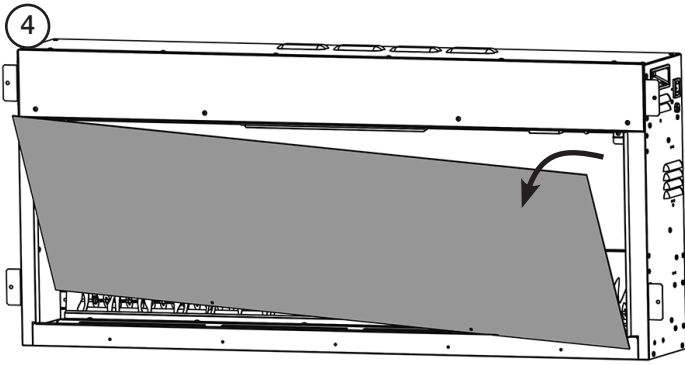


REPLACING THE FUEL BED LEDS

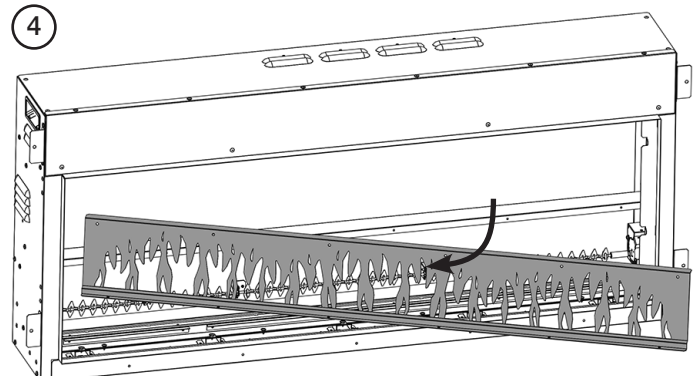
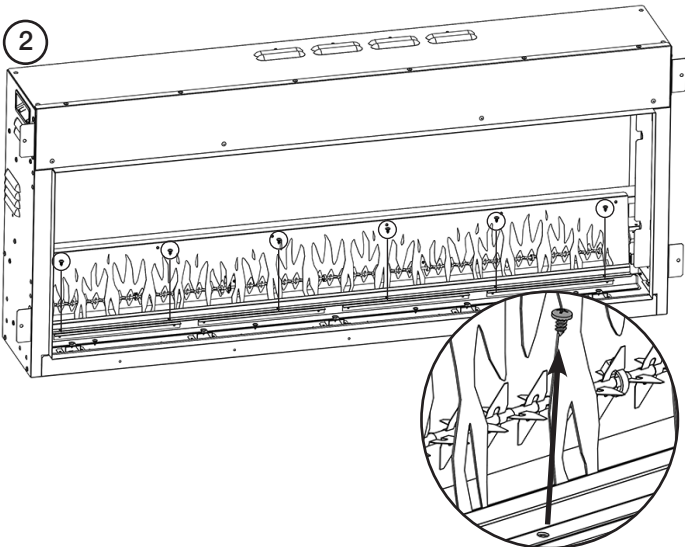
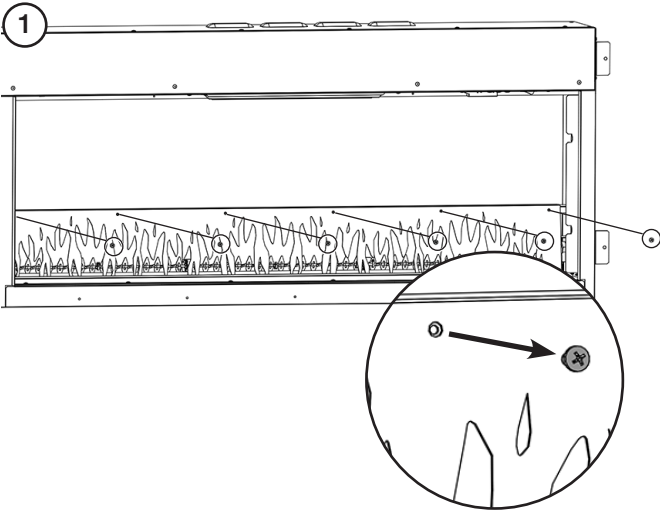


REMOVING THE INNER SCREEN

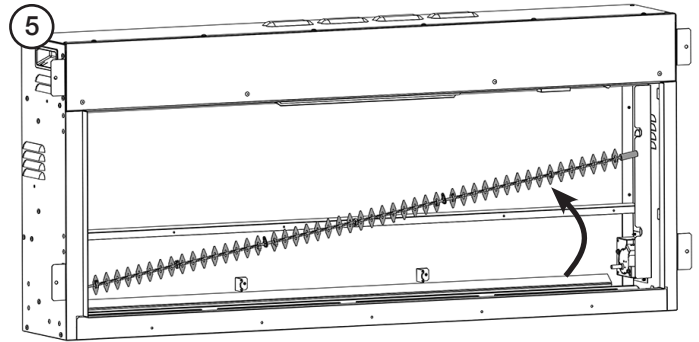
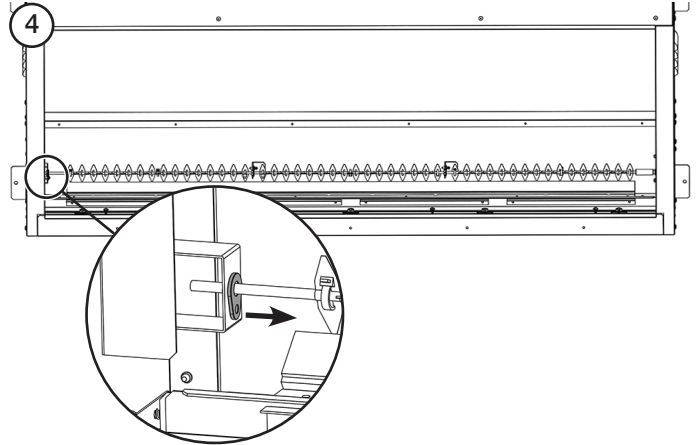
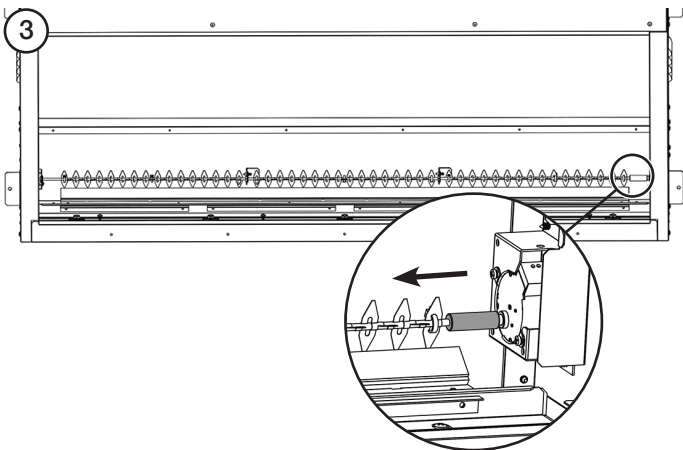
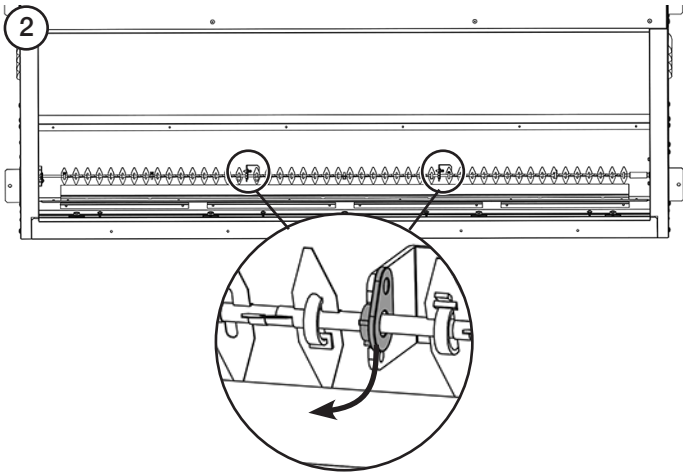
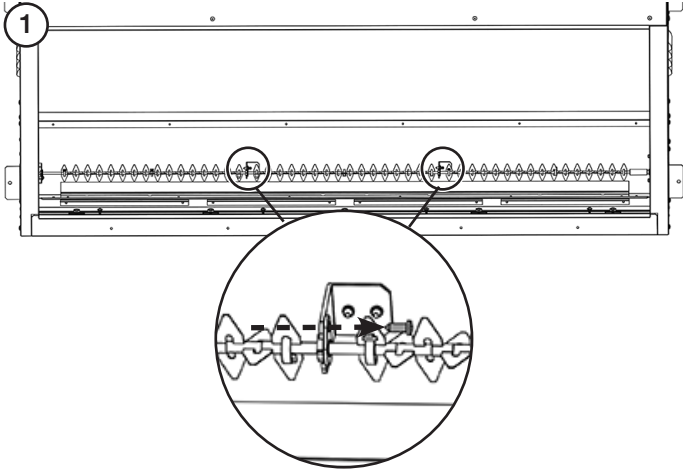




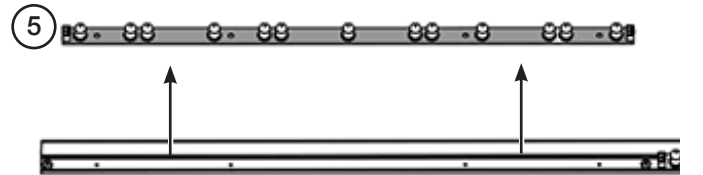
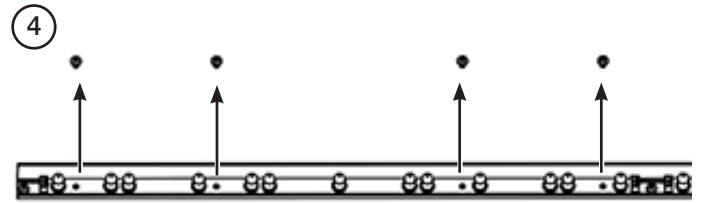
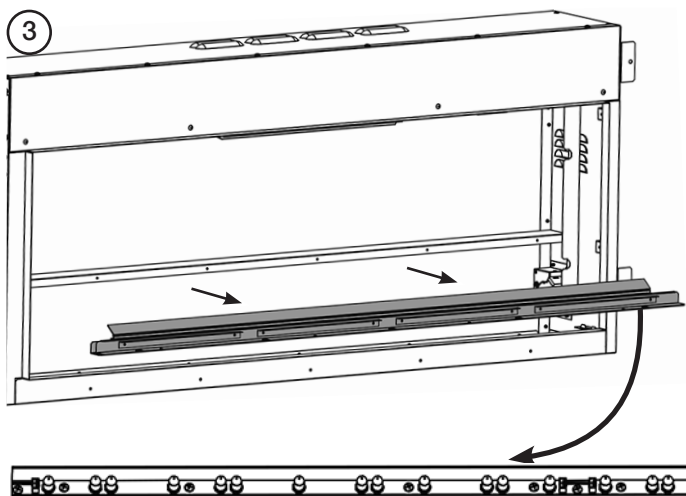
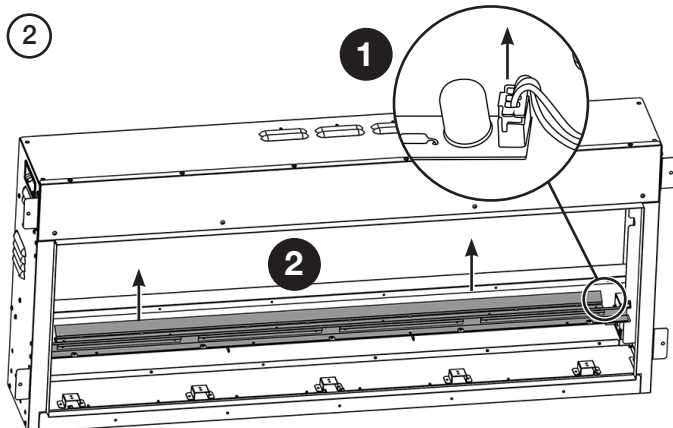
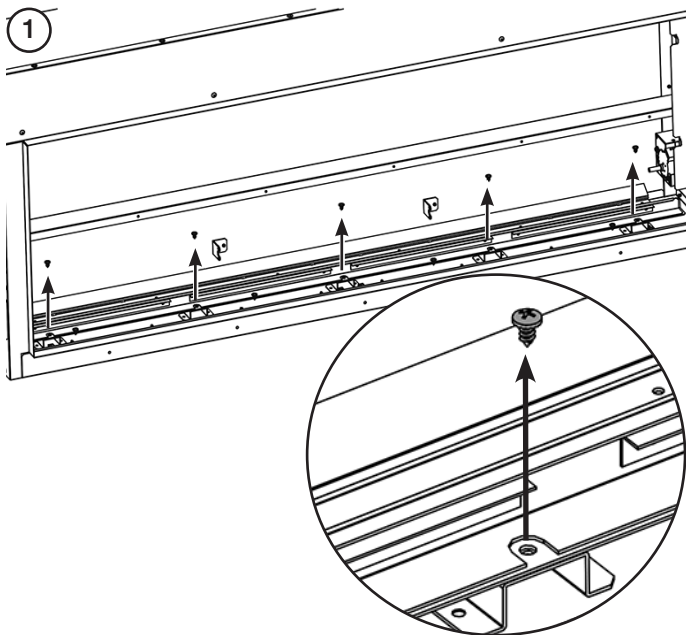
REMOVING THE FLAME EFFECT



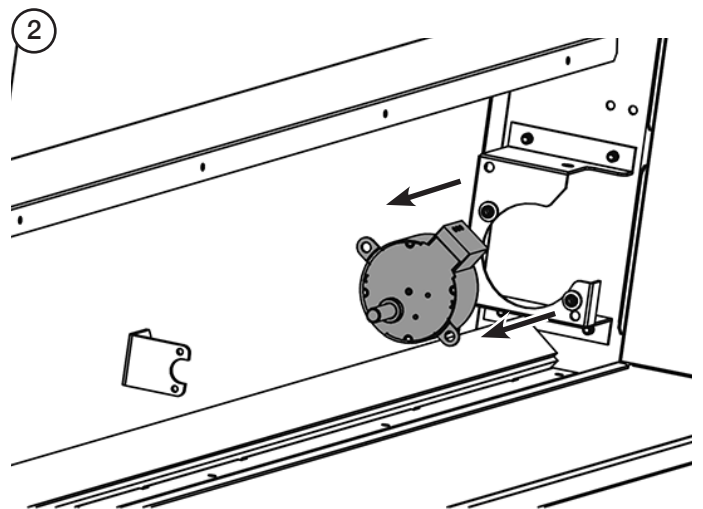
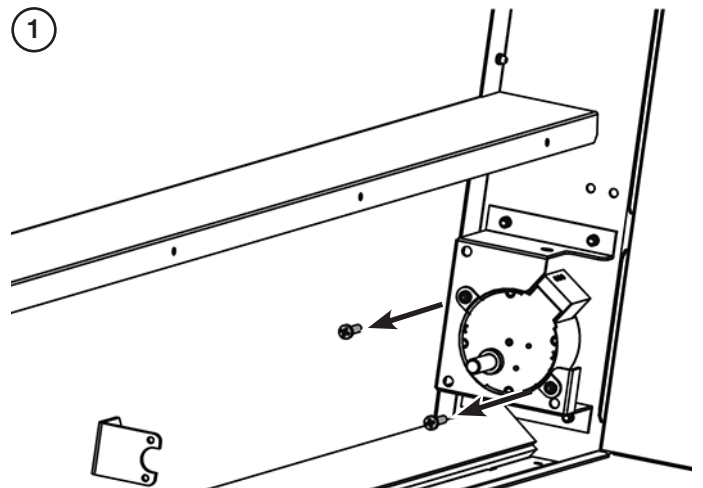
REMOVING THE EFFECT SPINDLE



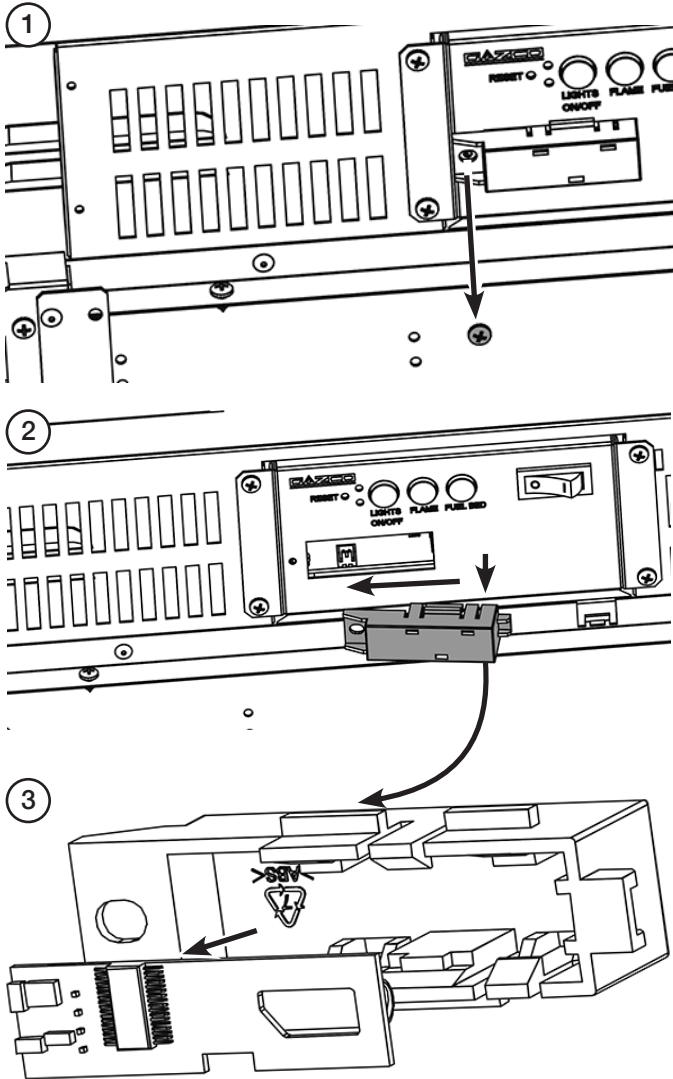
REPLACING THE FLAME EFFECT LEDS



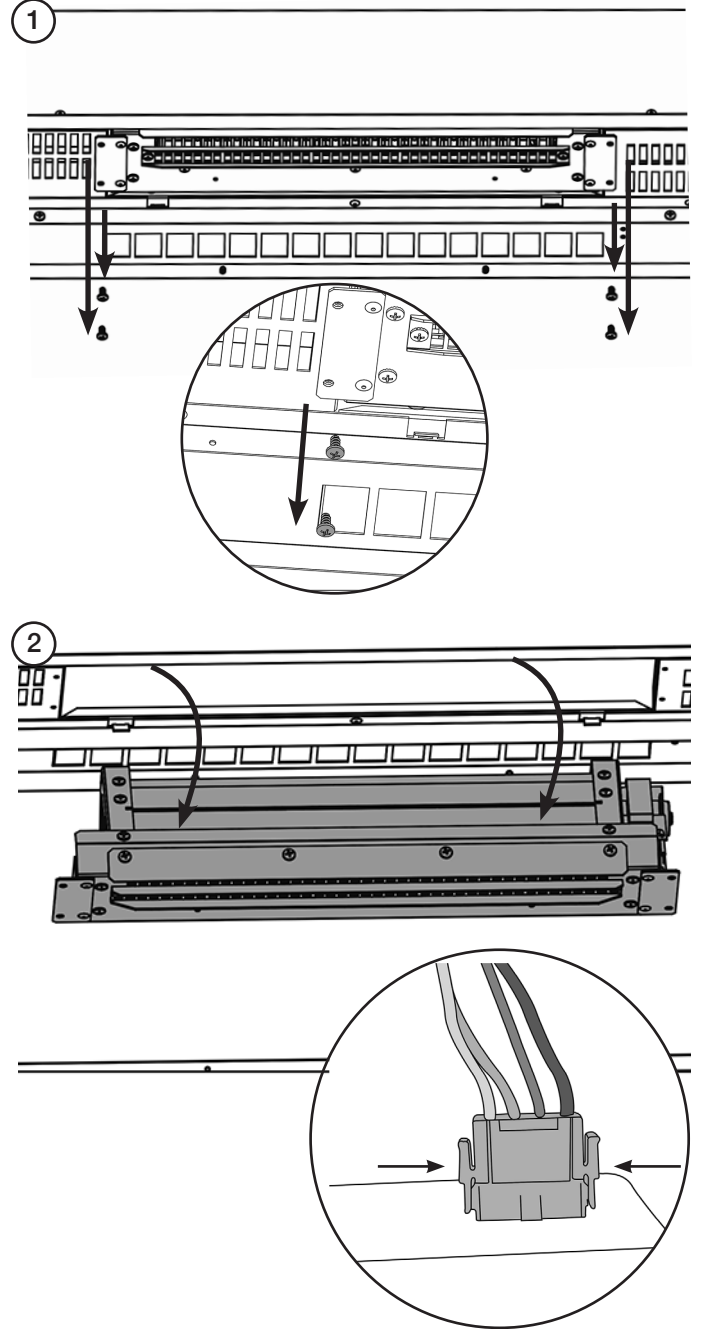
REMOVING THE FLAME EFFECT MOTOR



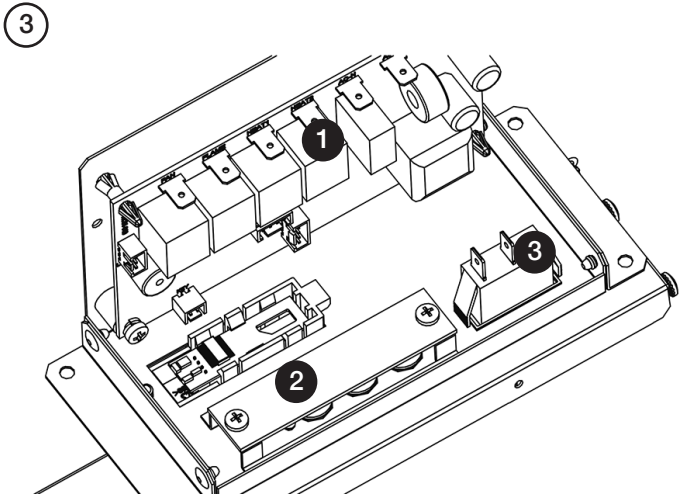
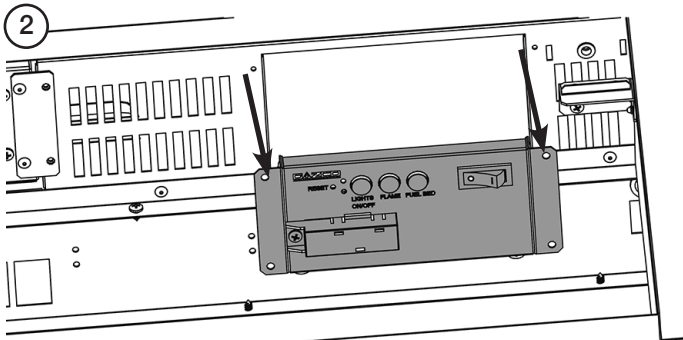
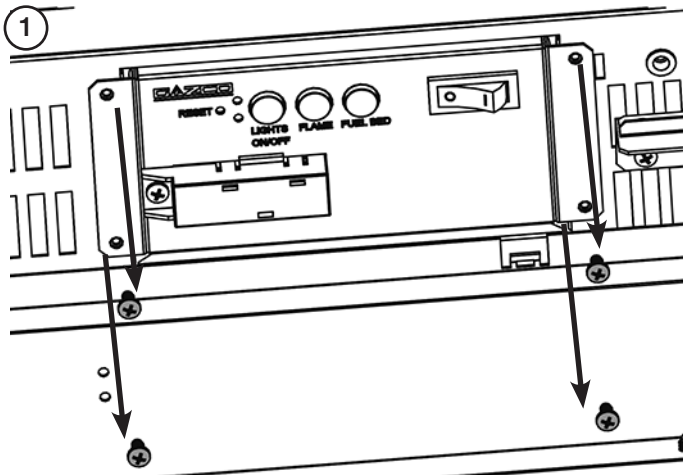
REMOVING THE RECEIVER



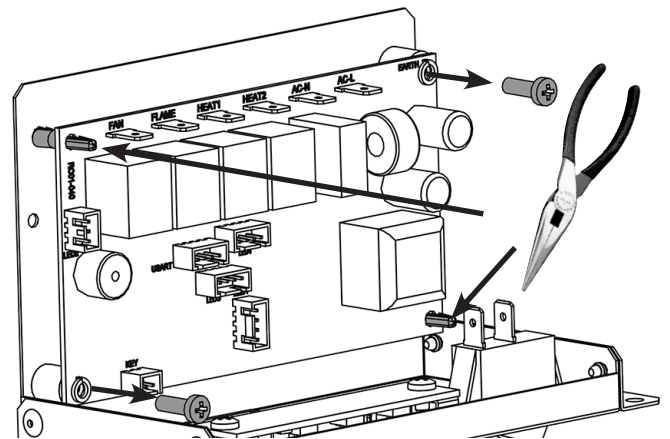
REPLACING THE HEATER



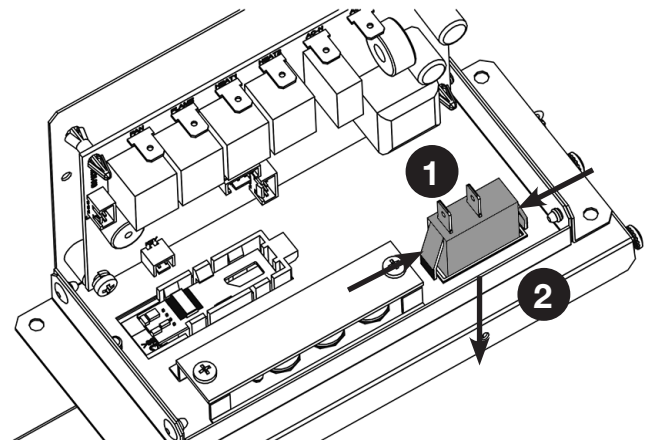
REPLACING THE CONTROL UNIT



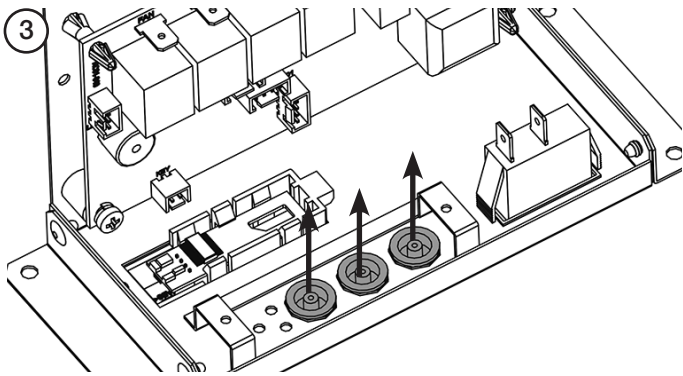
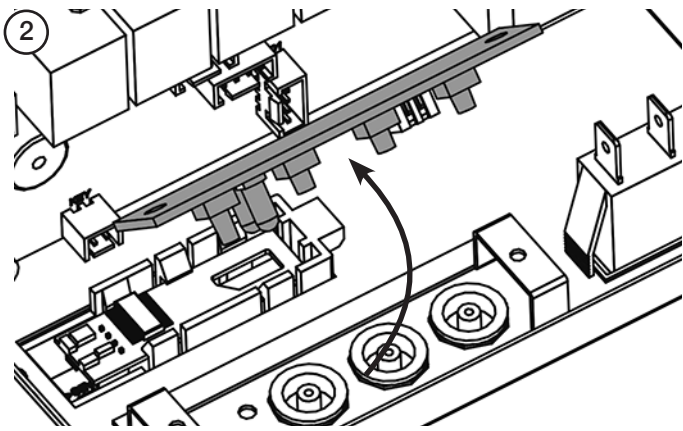
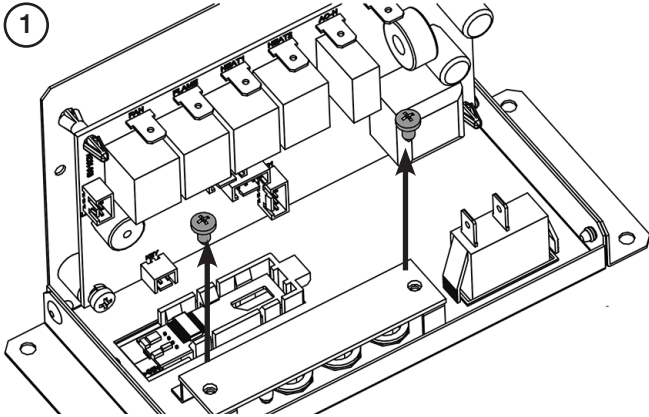
PCB



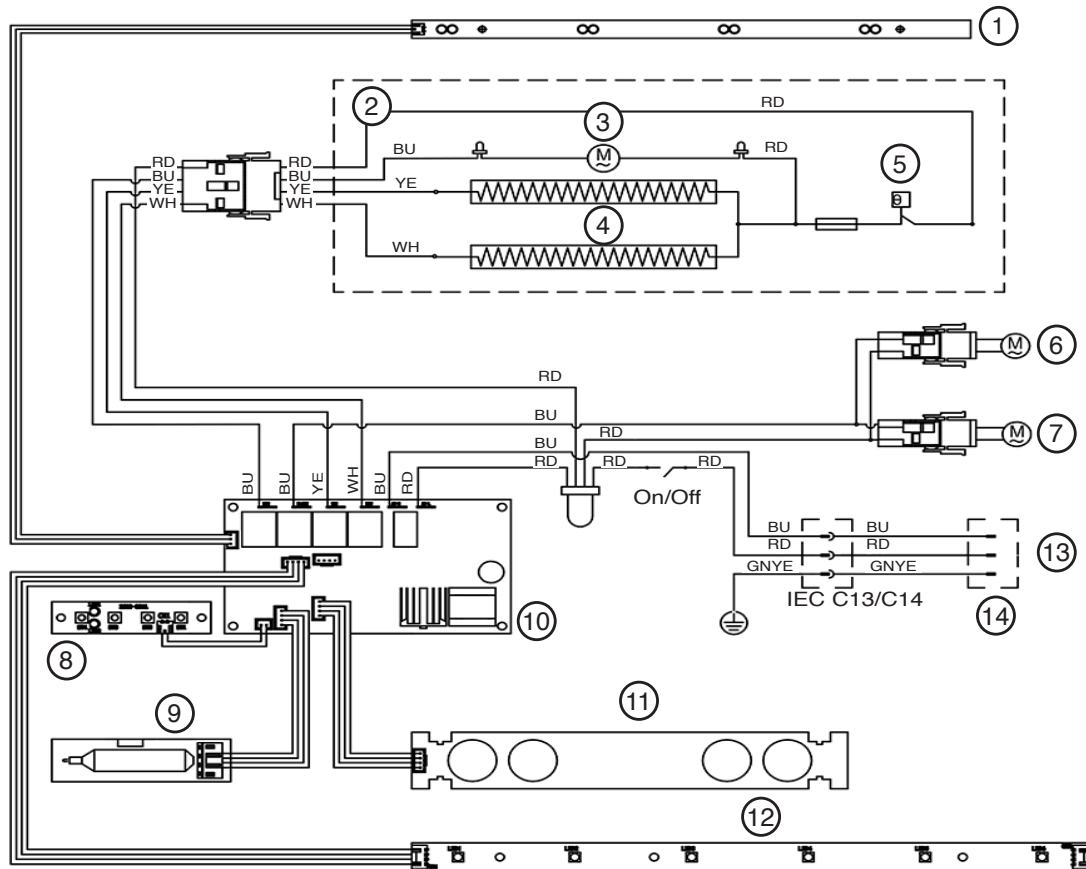
POWER SWITCH



BUTTON BOARD



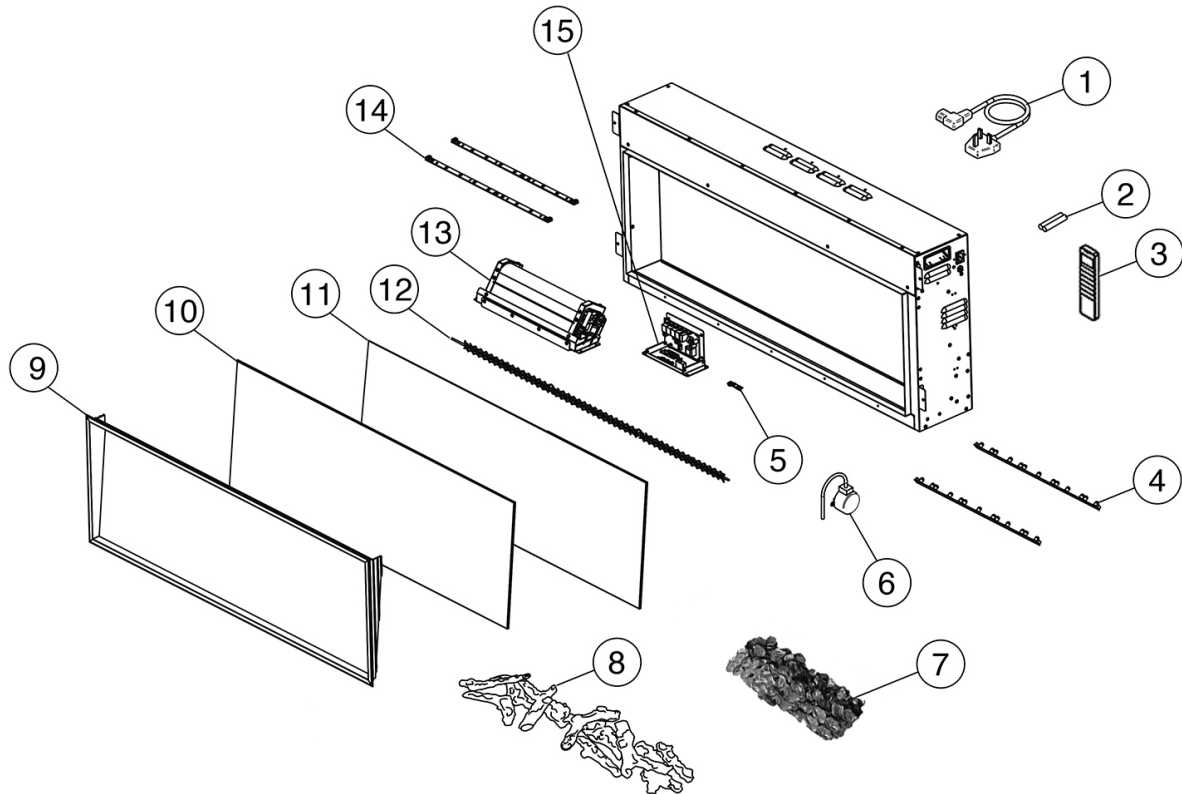
WIRING DIAGRAM



NO.	COMPONENT
1	Top Light LED Board
2	Heater Unit
3	Fan Motor
4	Heater
5	Thermostat
6	Flame Effect Motor
7	Fuel Effect Motor
8	Button Board
9	Receiver Board
10	PCB
11	Flame Effect LED Board
12	Fuel Effect LED Board
13	Plug Connector Incoming AC Supply: 230V 50Hz required
14	UK BS1363 Plug 13A BS1362 Fuse

COLOUR CODES	
RD	RED
BU	BLUE
YE	YELLOW
WH	WHITE
BK	BLACK
BN	BROWN
GNYE	GREEN & YELLOW

SPARE PARTS LIST



No.	Description	eStudio 60R		eStudio 85R		eStudio 105R		eStudio 135R		eStudio 165R	
		Part Code	Quantity	Part Code	Quantity	Part Code	Quantity	Part Code	Quantity	Part Code	Quantity
1	Power Cable	EL0549	1	EL0549	1	EL0549	1	EL0549	1	EL0549	1
2	Handset Battery	EL0062	2	EL0062	2	EL0062	2	EL0062	2	EL0062	2
3	Thermostatic Handset	EL0882	1	EL0882	1	EL0882	1	EL0882	1	EL0882	1
4a	LED Board	-	-	EL0864	2	-	-	EL0864	2	-	-
4b		EL0865	1	-	-	EL0865	2	EL0865	1	EL0865	3
5	Ir Reciever	EL0900	1	EL0900	1	EL0900	1	EL0900	1	EL0900	1
6	Motor (With Connecting Plug)	EL0632	1	EL0632	1	EL0632	1	EL0632	1	EL0632	1
7	Ember Set	EL0961	1	EL0961	1	EL0961	2	EL0961	2	EL0961	3
8	Log Fuel Effect	EL1024	1	EL0889	1	EL0890	1	EL0891	1	EL0891	1
9	Edge Frame	EL1026	1	EL0883	1	EL0884	1	EL0885	1	EL1034	
10	Front Glass	EL1027	1	EL0868	1	EL0869	1	EL0870	1	EL1035	
11	Effects Screen	EL1028	1	EL0871	1	EL0872	1	EL0873	1	EL1036	
12	Effects Spindle	EL1029	1	EL0879	1	EL0880	1	EL0881	1	EL1037	
13	Heater Unit	EL0878	1	EL0878	1	EL0878	1	EL0878	1	EL0878	1
14a	Flame Effect LED Board	EL0751	2	EL0866	2	-	-	EL0862	2	-	-
14b		-	-	-	-	EL0867	2	EL0867	1	EL0867	3
15	Power Unit (PCB And Manual Controls)	EL0877	1	EL0877	1	EL0877	1	EL0877	1	EL0877	1

INFORMATION REQUIREMENT FOR ELECTRIC LOCAL SPACE HEATERS

Model	eStudio 60R eStudio 85R eStudio 105R eStudio 135R eStudio 165R		
Heat Output	Nominal Heat Output	P_{nom}	2.0kW
	Minimum Heat Output	P_{min}	1.0kW
	Maximum Continuous Heat Output	$P_{max, c}$	2.0kW

Auxiliary Electricity Consumption	At Nominal Heat Output	e_{lmax}	12.5W
	At Minimum Heat Output	e_{lmin}	12.0W
	In Standby Mode	$e_{l_{sb}}$	0.63W

Type of heat input, for electric storage local space heaters only

Manual heat charge control, with integrated thermostat	No
Manual heat charge control with room and/or outdoor temperature feedback	No
Electronic heat charge control with room and/or outdoor temperature feedback	No
Fan assisted heat output	Yes

TYPE OF HEAT OUTPUT/ROOM TEMPERATURE CONTROL

Single stage heat output and no room temperature control	No
Two or more manual stages, no room temperature control	No
With mechanic thermostat room temperature control	No
With electronic room temperature control	Yes
Electronic room temperature control plus day timer	Yes
Electronic room temperature control plus week timer	Yes

OTHER CONTROL OPTIONS

Room temperature control, with presence detection	No
Room temperature control, with open window detection	Yes
With distance control option	No
With adaptive start control	Yes
With working time limitation	No
With black bulb sensor	No

Gazco Ltd, Spitfire Avenue, Skypark, Clyst Honiton, Exeter, Devon, England EX5 2FR

WARRANTY

LIMITED WARRANTY

This product comes with an extended Limited Warranty to the original purchaser of this appliance provided the product remains in the original place of installation.

Some conditions apply (see below).

The policy is not transferable, amendable or negotiable under any circumstances.

After the original warranty coverage has expired, any repair and/or replacement parts purchased by the consumer through an accredited distributor or dealer will carry a ninety (90) day warranty (valid only with an original copy of the tax invoice). No labor coverage is included with any repair and/or replacement part.

Replacement parts are limited to one per warranty term.

EXCLUSIONS

This Limited Warranty does not extend to paint, rust or corrosion of any kind due to a lack of maintenance or improper venting, combustion air provision, corrosive chemicals (i.e. chlorine, salt, air, etc.), firebrick (rear, sides or bottom), door or glass gasket, or any other additional factory fitted gasket.

Malfunction, damage or performance based issues as a result of environmental conditions, location, chemical damages, downdrafts, installation error, installation by an unqualified installer, incorrect chimney components (including but not limited to cap size or type), operator error, abuse, misuse, use of improper fuels (such as unseasoned timber, mill-ends, construction timber or debris, off-cuts, treated or painted timber, tea tree, metal or foil, plastics, garbage, solvents, cardboard, coal or coal products, oil based products, waxed cartons, compressed pre-manufactured logs), accidents, lack of regular maintenance and upkeep, acts of God, weather related problems from hurricanes, tornados, earthquakes, floods, lightning strikes/bolts or acts of terrorism or war, which result in malfunction of the appliance are not covered under the terms of this Limited Warranty.

The supplier has no obligation to enhance or modify any unit once manufactured (i.e. as products evolve, field modifications or upgrades will not be performed on existing appliances).

Any unit showing signs of neglect or misuse will not be covered under the terms of this warranty policy and may void this warranty. This includes units with rusted or corroded fireboxes which have not been reported as rusted or corroded within three (3) months of installation/purchase. Any alteration to the unit which causes sooting or carboning that results in damage to the exterior fascia or over firing that can cause component or firebox/heat exchanger failure will not be covered by this warranty.

Units which show evidence of being operated while damaged, or with problems known to the purchaser and causing further damages will void this warranty.

Units where the serial no. has been altered, deleted, removed or made illegible will void this warranty.

Minor movement, expansion and contraction of the steel is normal and is not covered under the terms of this warranty.

Freight damages for products or parts are not covered under the terms of the warranty.

Porcelain/Enamel: Absolute perfection is neither guaranteed nor commercially possible. Any chips must be reported and inspected by the authorised selling dealer within three (3) days of installation. Any damage of this type not reported after this time period will be subject to rejection and any related warranty will not apply.

Special Finishes: Expect some changes in color as the product "ages" with constant heating and cooling. The manufacturer warranty does not cover tarnishing, changing colors and/or marks (i.e. finger prints, etc.) after the purchase of the product. Damage from the use of abrasive cleaners is not covered by warranty.

Products made or provided by other manufacturers and used in conjunction with the appliance may void this warranty.

INCORRECT INSTALLATION IS NOT COVERED BY WARRANTY. A SERVICE OR CALLOUT FEE WILL BE CHARGED IN THESE CIRCUMSTANCES.

WARRANTY

LIMITATIONS OF LIABILITY

1. Exclusion of implied terms

The customer may have the benefit of consumer guarantees under the Consumer Law. To the maximum extent permitted by law, all terms, conditions or warranties that would be implied into this Warranty or in connection with the supply of any goods or services by the supplier under law or statute or custom or international conventions are excluded.

2. Limitation of liability

(a) To the maximum extent permitted by law and subject to clause 1, the supplier's total liability arising out of or in connection with its performance or its obligations pursuant to this Warranty, or arising out of or in connection with the supply of specific goods or services (including pursuant to or for breach of this Warranty, under statute, in equity or for tort, including negligent acts or omissions) is limited as follows: (i) the supplier shall have no liability to the customer for any Consequential Loss; (ii) without limiting the effect of clause 2(a)(i), the supplier's total aggregate liability for Loss, however arising, shall not exceed the GST exclusive aggregate price paid by the customer to the supplier for the specific goods or services that gave rise to the Loss in question.

(b) The limitations and exclusions in this sub-clause do not apply to the extent that any Loss is directly attributable to: (i) the personal injury or death caused by the supplier's default, breach of this Warranty or negligence; or (ii) fraud by the supplier.

(c) Each party must take reasonable steps to mitigate any Loss it suffers or incurs. .

3. Subject to Change

This Limited Warranty is given at the time of sale and purchase of the relevant fireplace product. The terms of this Limited Warranty may be amended from time to time in accordance with changes to business practices, consumer laws or other legal requirements. The rights and protections granted under the Limited Warranty are those in force in relation to a fireplace product at the time and in the place of sale of that product, and only those terms will be applicable in respect of that product.

4. Severability

Any term of this Limited Warranty that is invalid or unenforceable in any jurisdiction is to be read down for the purposes of that jurisdiction, if possible, so as to be valid and enforceable, and is otherwise capable of being severed to the extent of the invalidity or unenforceability, without affecting the remaining provisions of this Limited Warranty or affecting the validity or enforceability of that provision in any other jurisdiction.

5. Definitions

For purposes of clauses 1 and 2:

(a) Consequential Loss means loss of expected savings, loss of use, loss of opportunity, loss of profit, loss of revenue, increased financing costs, loss arising from delay, or any consequential, special or indirect loss or damage, whether or not the possibility or potential extent of the loss or damage was known or foreseeable, and whether arising from a claim under indemnity, contract, tort (including negligence), statute or otherwise.

(b) Loss means any expense, cost or damage of any kind and includes Consequential Loss and a fine or penalty imposed by a statutory or other authority.

Distributed by:

Australia

Fireplace Products Australia Pty Ltd
99 Colemans Road
Dandenong South VIC, 3175
AUSTRALIA
+613 9799 7277
www.regency-fire.com.au

New Zealand



Head Office & Showroom
12 Tawari Street
Mt Eden, Auckland, New Zealand
+649 623 6990
thefireplace.co.nz

Manufactured by

Gazco Limited, Spitfire Avenue, Skypark, Clyst Honiton, Exeter, Devon, England EX5 2FR
Technical Customer Services (01392) 261950 Fax: (01392) 261951
E-mail: technicalservices@gazco.com

A member of the Stovax Group

E & O E

