

**VEKTOR CAMPFIRE FLAME EFFECT
SPACE HEATER XLC FLUE
XLC ROOFTOP TERMINATION FLUE CONFIGURATIONS
POLYPROPYLENE FLUE**

SUPPLEMENT INSTRUCTION MANUAL

The Vektor space heater is suitable to be installed into a frame out installation. Designed to operate on Natural gas

Approval no. GMK 10622

VERSION 1

WARRANTY INFORMATION

The benefits provided to you under the following warranty are in addition to any other rights and remedies available to you under the law.

1. Warranty

If:

- (a) during the first 15 years from the date of purchase (Firebox Warranty Period), there is a defect in the firebox of the Gas Burner; or
- (b) during the first 2 years from the date of purchase (Parts Warranty Period), there is a defect in the gas valves or other parts of the Gas Burner,
due to improper workmanship or material, Glen Dimplex will replace or repair the Gas Burner without charge. Any replacement product is warranted only for the time remaining on the original Firebox Warranty Period or the Parts Warranty Period as relevant.

2. Registration

You must register to receive the benefit of this warranty by completing the warranty registration on our website (www.realflame.com.au) or completing and mailing the attached registration card within 30 days of purchase of your Gas Burner (or, if the Gas Burner is fitted to a new home, within 30 days of the date of settlement of purchase of such new home).

3. Exclusions

Glen Dimplex is not obliged to replace or repair the Gas Burner under clause 1 if:

- (a) it has been improperly stored, installed, connected, used, operated or repaired, or damaged, abused, tampered with, altered (without our written approval), or not maintained in strict accordance with our installation and operating instructions; or
- (b) it has been installed in an outdoor setting.

4. Limit of Liability

The warranty provided under this warranty is limited to replacement or repair of the Gas Burner only, at our option. To the extent permitted by law, Glen Dimplex excludes liability for consequential loss or any other loss or damage caused to property or persons arising from any cause whatsoever, and damage arising from normal wear and tear.

5. Claiming under the Warranty

In order to claim under this warranty you must, within the Firebox Warranty Period or the Parts Warranty Period (as relevant), contact Glen Dimplex, providing the original proof of purchase and the details below:

Supplier Name _____

Date Of Purchase / settlement of property if new home _____

Model / Serial Number _____

This warranty does not cover the cost of claiming under the warranty or transporting the Real Flame Gas Burner to and from the supplier.

Our goods come with guarantees that cannot be excluded under the Australian Consumer Law. You are entitled to a replacement or refund for a major failure and for compensation for any other reasonably foreseeable loss or damage. You are also entitled to have the goods repaired or replaced if the goods fail to be of acceptable quality and the failure does not amount to a major failure.

If you would like to speak to someone about your Gas Burner or claiming under this warranty, please contact the Service Warranty Desk on 1300 554 155.

Glen Dimplex Australia Pty Ltd ACN 69 118 275 460
Head Office: 1340 Ferntree Gully Road, Scoresby 3179
Telephone: (03) 8706 2000 Facsimile: (03) 876 2001

WARNING

The Vektor space heater has a primary safety glass fitted in front of the glass door. This safety glass is fitted to this appliance to reduce the risk of injury from burns and at no time should this glass be permanently removed. For protection of young children or the infirm, a secondary guard is required.

The appliance is not intended for use by persons (including children) with reduced physical, sensory or mental capabilities, or lack of experience and knowledge, unless they have been given supervision or instruction concerning use of the appliance by a person responsible for their safety. Children should be supervised to ensure that they do not play with the appliance.

WARNING

The glass panel gets extremely hot! Precaution should be taken and young children supervised at all times when heater is operating.

INSTALLATION NOTICE

- The installation of this appliance is only to be carried out by an authorised person in accordance with the Manufacturer's Instructions, local gas fitting regulations, AS/NZS5601.1-2013 installation code for gas burning appliances and any other relevant statutory regulations.
- In all cases the installation of this appliance shall meet the requirements as set out in AS/NZS5601.1-2013.
- Do not install in a fireplace as a Type 1 installation.
- Not intended as a fireplace insert

- **NOTE: A slight smell may be apparent for the first few hours of use. This is due to the heat resistant paint curing. It is recommended to open windows in the room for the first lighting of the fire. In some instances a slight discolouration may occur inside the firebox. This is a normal condition and is not covered by warranty.**

IMPORTANT SAFETY NOTICE

- **DO NOT PLACE ARTICLES ON OR AGAINST THIS APPLIANCE.**
- **DO NOT USE OR STORE FLAMMABLE MATERIALS IN OR NEAR THIS APPLIANCE.**
- **DO NOT SPRAY AEROSOLS IN THE VICINITY OF THIS APPLIANCE WHILST IT IS IN OPERATION.**
- **CARE MUST BE TAKEN TO ENSURE THAT ANY RETURN AIR REGISTER OR EXHAUST SYSTEM DOES NOT ADVERSLEY AFFECT THE OPERATION OF THE APPLIANCE OR DRAUGHT OF CHIMNEY OR FLUE.**
- **DO NOT MODIFY THIS APPLIANCE.**
- **APPLIANCE IS DESIGNED TO OPERATE WITH LUMINOUS FLAMES. MAY EXHIBIT SLIGHT CARBON DEPOSIT.**

SERVICING

It is recommended you service your gas fire every 2 years as a minimum.

CORD REPLACEMENT

Electrical cord replacement must be undertaken by qualified and trained personnel only.

CONTENTS

| | |
|--|----|
| Contents | 4 |
| Installation Instructions | 5 |
| Poly Pro General Installation Requirements..... | 7 |
| Set Up With In Line Or Appliance Mounted Fan | 9 |
| Installation Instructions (continued) | 10 |
| Flue Termination | 18 |
| Glen Dimplex contact information..... | 20 |

INSTALLATION INSTRUCTIONS

THIS MANUAL MUST BE READ IN CONJUNCTION WITH THE VEKTOR XL FLUE CONFIGURATION INSTALLATION AND INSTRUCTION MANUAL

LOCATION

Select a location where the fire can be supervised during operation.

An electrical isolation switch must be fitted at the appliance or on an adjacent wall to allow for emergency shutdown and maintenance.

Installation must meet Australian gas code AS/NZS5601.1-2013.

INSTALLATION CODES

- Note appliance gas type – Natural Gas. Should the appliance be the incorrect gas type, please contact the supplier.
- Installers – Please ensure the installation and instruction manuals supplied with this appliance are supplied to the customer and the customer is trained on how to operate the appliance correctly.
- Do not modify the appliance.
- Do not exceed maximum rated pressures.
- Appliance must be installed with gas installation code (AS/NZS5601.1-2013) and applicable electrical installation code (AS3000).
- Test for gas leaks prior to operating appliance. Check gas pressures and adjust if incorrect.

FLUE CONFIGURATIONS

For flue configurations other than Poly flue Rooftop termination please refer to the correct manufacturer installation manual.

For user instructions refer to Vektor appliance installation manual for instructions.

Where lengths greater than 5m are required the inlet is run completely in aluminium flexible flue, the first 5m of the outlet flue is run in flexible aluminium flue, then a poly flue system is used that requires drainage points to waste for condensation removal. – Note drain fall direction is towards the appliance for Rooftop termination flues.

Aluminium flue connections must be sealed with a suitable sealant.

Recommended Silicon – Non-acetic, neutral cure 150degc or higher temperature rated. Bostik RTV 926 or similar

Run air intake flue as required – Maximum run 14m. Flues can be run next to each other. Maintain clearances to combustibles.

INSTALLATION INSTRUCTIONS (continued)

Condensate disposal

Where possible the condensate drainage pipe should terminate at a suitable foul water discharge point, eg waste drain point washing machine waste point etc.

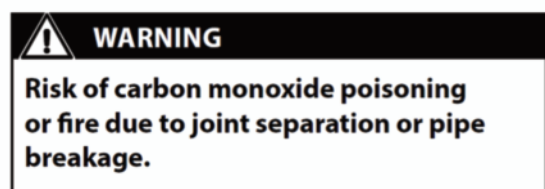
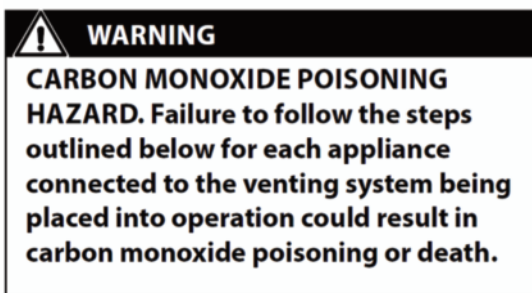
The HepVO waterless trap should be installed where access can be maintained.

A P-trap can be used as an option instead of the HepVo waterless trap.

Do not discharge condensate onto walkways, electrical connections, earth stakes, copper pipes, waterways, ponds etc.

POLY PRO GENERAL INSTALLATION REQUIREMENTS

Refer to specific setups for detailed installation guides.



Poly Pro flue systems meets Flame spread/ Smoke ratings <25/<50 (per UL-723 ASTM E-84 and ULC-S102) when used in conjunction with the below noted materials.

- 3m Fire barrier Plenum wrap 5A+
- Unifrax FyreWrap 0.5 Plenum insulation
- Knauf Insulation – Atmosphere Duct wrap with ECOSE

Use soapy water to lubricate gaskets and tubes.

DO NOT USE petroleum based lubricants.

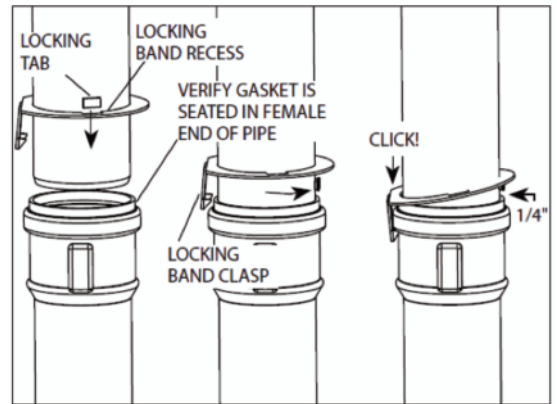
POLY PRO GENERAL INSTALLATION REQUIREMENTS (continued)

Joint Connections

Verify the gasket is seated evenly inside the groove in the female end. For PP/Metal pipe with a locking tab, slide locking band on male pipe section. Insert locking tab into locking band recess, rotate button away from locking band clasp, insert pipe sections, push lock band clamp downward into socket, disengage socket/tab 1/4" - 5/8" from socket.

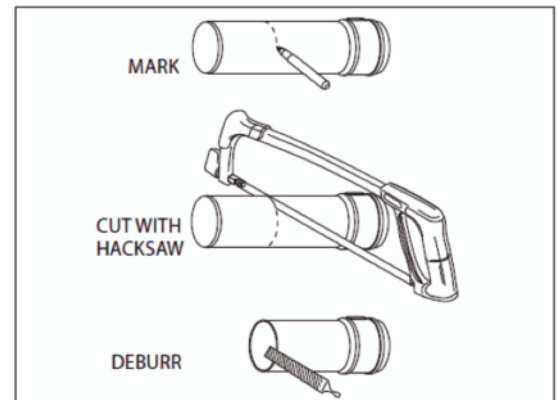
Screws are not allowed for joint connection. Never penetrate the wall of PolyPro vent pipe. (Exception - a SS screw may be used outside the building on exterior termination fittings to orient an elbow, etc.)

- **IMPORTANT:** Locking bands are mandatory on all exhaust vent joints.



Installation

1. Pipe lengths may be cut to length. Use an alternative clamp (PPS-PAC/PPS-LBC) for the connection if a locking tab is removed.
 - Cut square (not an angle) to the end of the pipe.
 - Remove burrs before assembly.



2. Check with appliance manufacturer for any restrictions or limits on vent length, number of elbows, etc.
3. The slope of the vent pipe must be at least 3° (50mm per meter) back to the appliance.
4. Every horizontal section must be supported.
5. The venting system shall be securely supported using suitable hangers. Duravent hardware is recommended; field supplied support hardware suitable to the AHJ is acceptable, hardware must not deform on damage the vent. Make sure the load on the vent system is not supported by the appliance.

On Duravent and other certain clamp styles, 1/4" or greater All-thread may be used as an extension.

6. Vertical installations must be supported every 3 meters or less.
7. Elbows and tees are sufficiently supported when a bracket is fixed at the female end of the connected straight section.

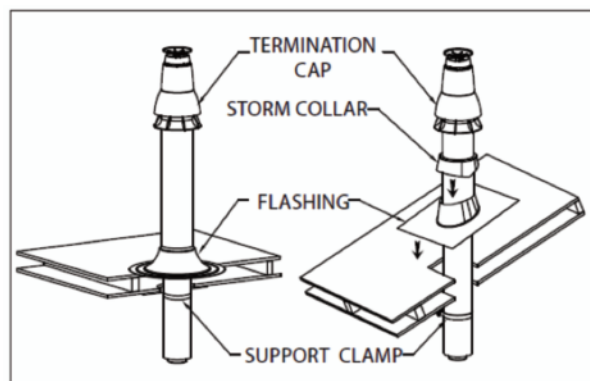
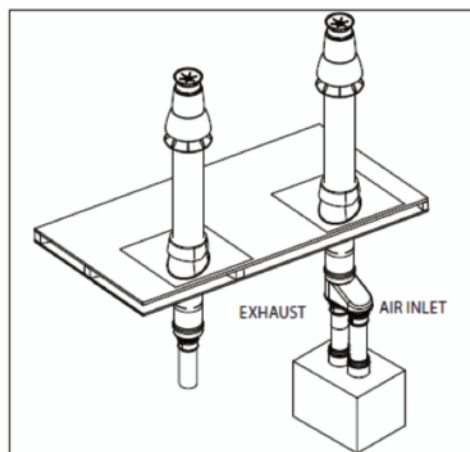
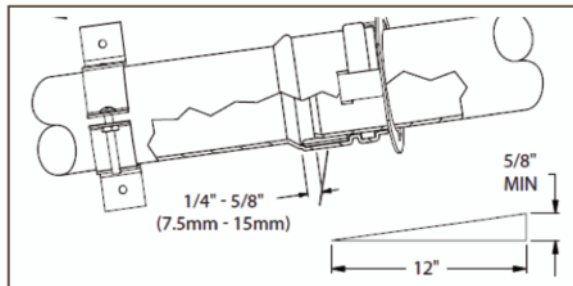
POLY PRO GENERAL INSTALLATION REQUIREMENTS (continued)

Vertical Concentric

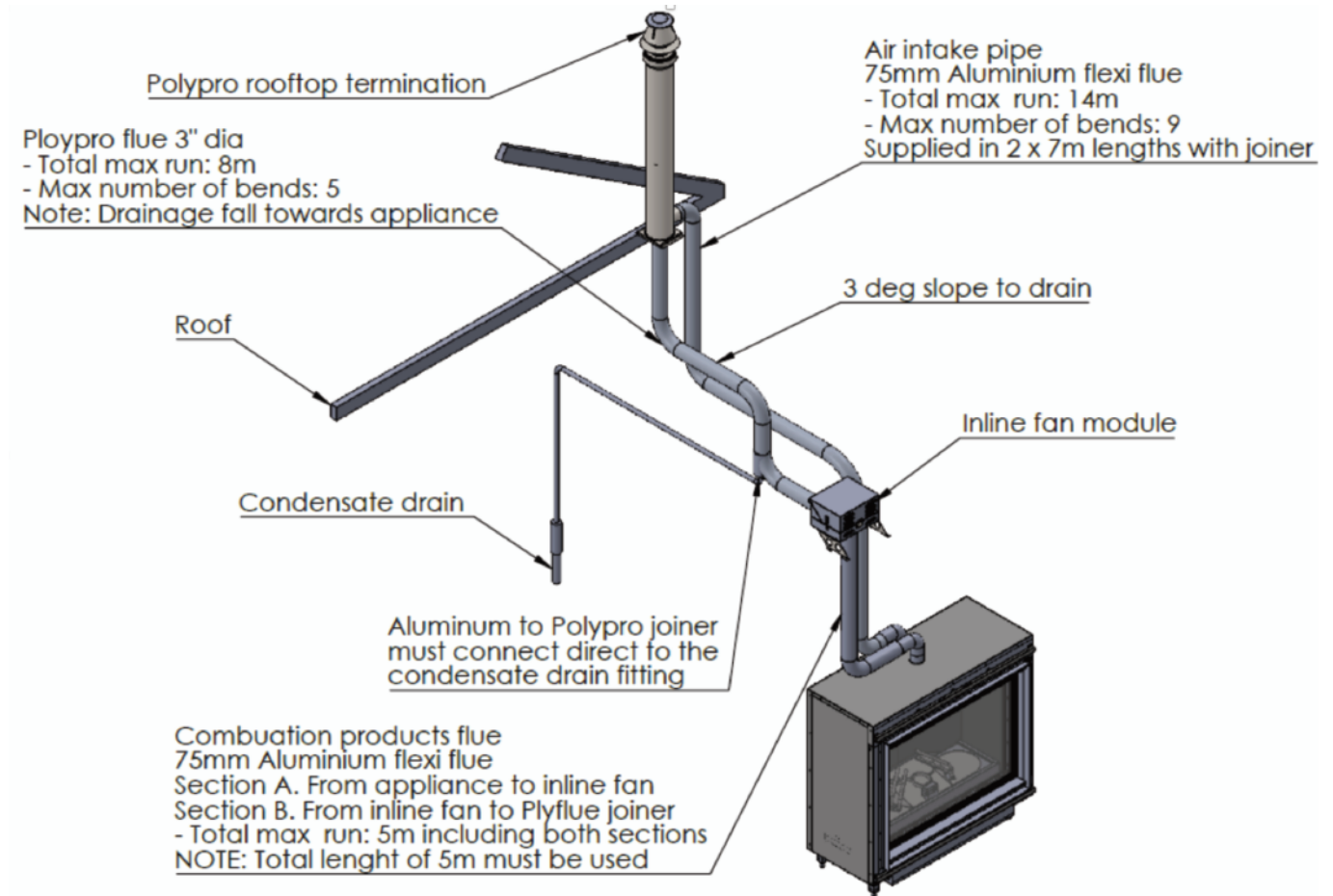
1. Locate penetration.
2. Cut hole in roof.
3. Cut hole in ceiling above appliance.

Cut hole(s) big enough for pipe in all ceilings above appliance if installing in a multi storey installation.
4. Firestop each ceiling penetration.
5. Attach flashing to roof.

Slide storm collar onto flashing if using the adjustable roof flashing.
6. Slide vertical termination into flashing from above until seated on flashing.
7. Plumb termination and mount support bracket to structure.



SET UP WITH IN LINE OR APPLIANCE MOUNTED FAN



INSTALLATION INSTRUCTIONS

Intake pipe connection to appliance



Flexi flue is provided for air intake. A maximum of 2 x 7m lengths can be used.

Cut tube to length where required.

Ensure ends are burr free and round, test fit flue will slide over connection.



Recommended Silicon – Non-acetic, neutral cure 150°C or higher temperature rated.

Bostik RTV 926 or similar.

Apply an 8mm thick silicon bead fully around heater connection approx. 10mm from the top.



Apply an 8mm silicon bead fully around the inside of the flue end (heater connection end)

Fit flue clamp over flue (loosely).

INSTALLATION INSTRUCTIONS (continued)



Slide flue onto connection spigot fully.
Tighten clamp fully.
Wipe excess silicon, visually check connection to ensure connection is fully sealed.

Intake pipe joiner connection



Ensure ends are burr free and round, test fit flue will slide over connection joiner.



Apply an 8mm thick silicon bead fully around both ends of connector approx. 10mm from the ends.

INSTALLATION INSTRUCTIONS (continued)

Intake pipe joiner connection (continued)



Apply an 8mm silicon bead fully around the inside of the flue ends.

Fit flue clamp over flue ends (loosely).



Slide each flue halfway onto connection joiner.

Tighten clamp fully.

Wipe excess silicon, visually check connection to ensure connection is fully sealed.

Intake connection to rooftop terminal



Rooftop termination should be mounted and adequately supported.

Ensure clearances to combustibles are maintained.

Termination must be installed to AS5601 gas installation codes.



Apply soapy water to the fitting and to the connection on the rooftop termination

INSTALLATION INSTRUCTIONS (continued)

Flue exhaust connections - Inlet connection to appliance



Note: The full 5m of flexi flue must be used.

Fully extend the 5m aluminium flexi flue. NOTE FULL LENGTH MUST BE USED.

Ensure ends are burr free and round, test fit flue will slide over connection.



Apply an 8mm thick silicon bead fully around heater connection approx. 10mm from the top.



Apply an 8mm silicon bead fully around the inside of the flue ends.

Fit flue clamp over flue ends (loosely).



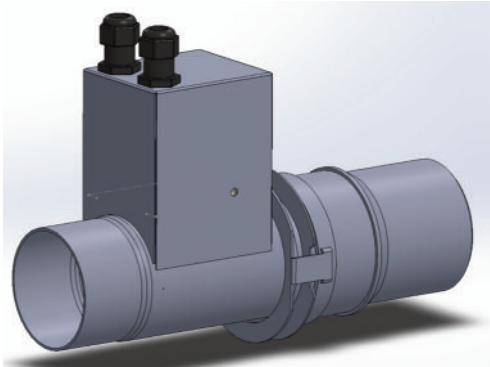
Slide flue onto connection spigot fully.

Tighten clamp fully.

Wipe excess silicon, visually check connection to ensure connection is fully sealed.

INSTALLATION INSTRUCTIONS (continued)

Aluminium to Poly Pro flue connection



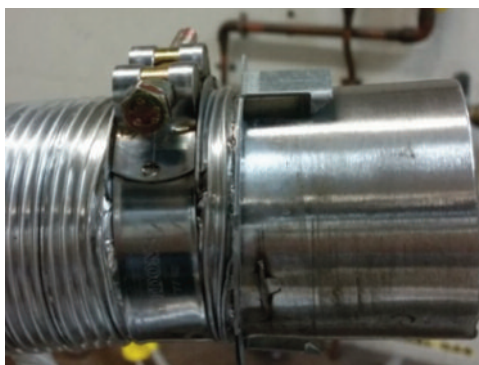
Note: A total of 5m of aluminium flexi flue must be used prior to the joiner. Failure to do this will result in appliance shutdown.



Apply sealant to flue inner and connector.



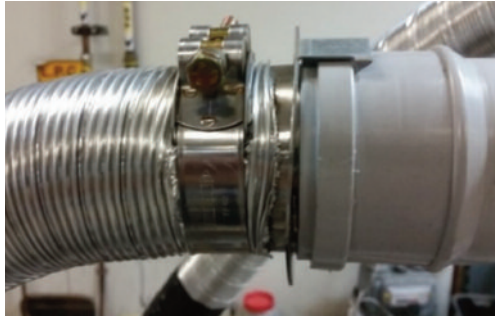
Apply sealant to flue inner and connector.



Fit flue clamp over flue (loosely).
Slide flue onto connection spigot fully.
Tighten clamp fully.
Wipe excess silicon, visually check connection to ensure connection is fully sealed.

INSTALLATION INSTRUCTIONS (continued)

Aluminium to Poly Pro flue connection



Apply soapy water to o-ring in Poly Pro flue and dampen surface of connector.

Push connector fully into Poly pro end connection.

Push both clips over to lock into place.

Where remove the catch tab from side of condensate fitting. (Twist off)

Connect condensate drain trap to adapter. Insert fully.

Tighten locking hose clamp.

Condensate drain - P trap fitting



NOTE – DRAINAGE MUST FALL TOWARDS CONDENSATE TRAP LOCATED AT THE END OF THE ALUMINIUM FLUE SECTION

A P-TRAP MUST BE INSTALLED AS SHOWN

- Connect 90deg elbow to Aluminum adapter facing downwards
- Connect 2nd 90deg Elbow to first.
- Connect vertical condensate tee to elbow with drain at bottom.
- Connect drain cap to bottom of condensate tee.
- Connect flue as required to rooftop termination.

P trap must be lowest part of the Polyflue system.

All poly flue must drain back to the P trap.

Connect waste pipe to p trap (PVC pressure pipe glue will be required for the connection.)

INSTALLATION INSTRUCTIONS (continued)

Poly Pro to Poly Pro flue connection

Verify gasket is sitting correctly.

Apply a light soapy water film to the gasket and tube end.

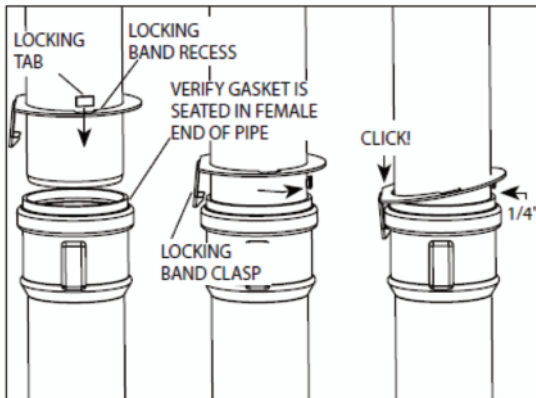
Insert pipe fully into end fitting, Pipe will push in smoothly and evenly, should this not occur remove pipe and reseal gasket. Reapply light soapy film to ensure easy fit.

Rotate clip so catch is opposite the location tab

Clip catch into place to prevent flue pipes from separating.

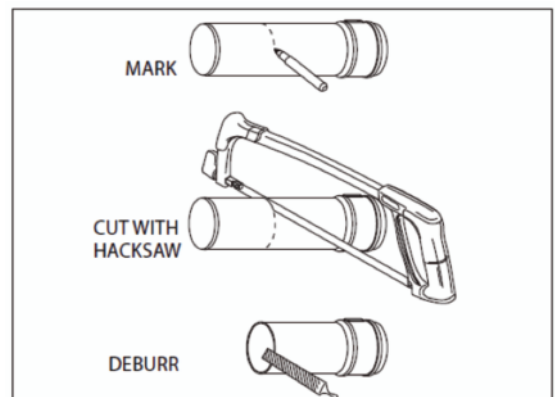
Ensure pipes are clipped adequately.

Ensure a minimum of 3deg fall occurs towards the drain end.



Installation

1. Pipe lengths may be cut to length. Use an alternative clamp (PPS-PAC/PPS-LBC) for the connection if a locking tab is removed.
 - Cut square (not an angle) to the end of the pipe.
 - Remove burrs before assembly.
2. Check with appliance manufacturer for any restrictions or limits on vent length, number of elbows, etc.
3. The slope of the vent pipe must be at least 3° (50mm per meter) back to the appliance.
4. Every horizontal section must be supported.



INSTALLATION INSTRUCTIONS (continued)

Poly Pro to Roof termination



Ensure termination is supported.

Join Poly flue to rooftop termination

Ensure clip is fixed to prevent flue pipes from separating.

Support flues.

WIRING – FLUE TEMPERATURE LIMITING DEVICE

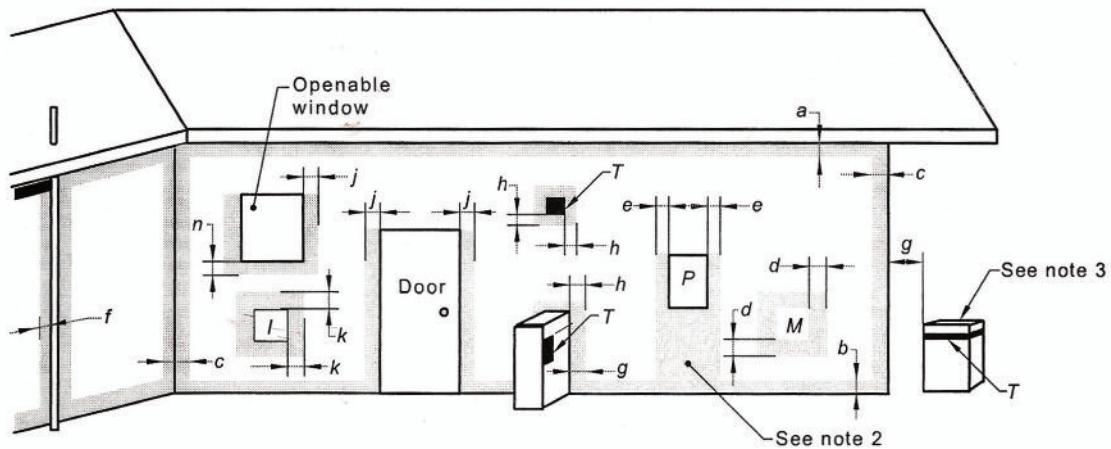
The flue temperature limiting device is inbuilt into the extension wiring and the flue adapter.

The connection directly connects to the loom from the appliance. The other end directly connects to the fan module.

Connections are not interchangeable.

The temperature limiting is preset and does not require adjustment.

FLUE TERMINATION



LEGEND:

- T* = Flue terminal
- I* = Mechanical air inlet
- M* = Gas meter
- P* = Electricity meter or fuse box
- Shading indicates prohibited areas for flue terminals

| Ref. | Item | Minimum clearances (mm) | |
|------|---|-------------------------|--------------|
| | | Natural draft | Fan assisted |
| a | Below eaves, balconies and other projections: | | |
| | • Appliances up to 50 MJ/h input | 300 | 200 |
| | • Appliances over 50 MJ/h input | 500 | 300 |
| b | From the ground, above a balcony or other surface † | 300 | 300 |
| c | From a return wall or external corner † | 500 | 300 |
| d | From a gas meter (M) (see 4.7.11 for vent terminal location of regulator) | 1000 | 1000 |
| e | From an electricity meter or fuse box (P) | 500 | 500 |
| f | From a drain pipe or soil pipe | 150 | 75 |
| g | Horizontally from any building structure † or obstruction facing a terminal | 500 | 500 |
| h | From any other flue terminal, cowl, or combustion air intake † | 500 | 300 |
| j | Horizontally from an openable window, door, non-mechanical air inlet, or any other opening into a building with the exception of sub-floor ventilation: | | |
| | • Appliances up to 150 MJ/h input | 500 | 300 |
| | • Appliances over 150 MJ/h input up to 200 MJ/h input | 1500 | 300 |
| | • Appliances over 200 MJ/h input up to 250 MJ/h input † | 1500 | 500 |
| | • Appliances over 250 MJ/h input † | 1500 | 1500 |
| | • All fan-assisted flue appliances, in the direction of discharge | - | 1500 |
| k | From a mechanical air inlet, including a spa blower | 1500 | 1000 |
| n | Vertically below an openable window, non-mechanical air inlet, or any other opening into a building with the exception of sub-floor ventilation: | | |
| | • Space heaters up to 50 MJ/h input | 150 | 150 |
| | • Other appliances up to 50 MJ/h input | 500 | 500 |
| | • Appliances over 50 MJ/h input and up to 150 MJ/h input | 1000 | 1000 |
| | • Appliances over 150 MJ/h input | 1500 | 1500 |

† Unless appliance is certified for closer installation

NOTES:

- 1 All distances are measured to the nearest part of the terminal.
- 2 Prohibited area below electricity meter or fuse box extends to ground level.
- 3 See Clause 5.13.6.6 for restrictions on a flue terminal under a covered area.
- 4 See Appendix J, Figures J2(a) and J3(a), for clearances required from a flue terminal to an LP Gas cylinder. A flue terminal is considered to be a source of ignition.
- 5 For appliances not addressed above acceptance should be obtained from the technical regulator



GLEN DIMPLEX AUSTRALIA PTY LTD

ABN 69 118 275 460

Head Office/Factory/Showroom

1340 Ferntree Gully Rd.

Scoresby Vic 3179

Ph: (03) 8706 2000 Fax: (03) 8706 2001

E-mail: info@realflame.com.au

Richmond - VIC Showroom

300 Swan St.

Richmond Vic 3121

Ph: (03) 9428 4443 Fax: (03) 9428 4445

Dandenong - VIC Showroom

3/328 South Gippsland Highway,

Dandenong South Vic 3164

Ph: (03) 9702 7853

E-mail: sales@realflamedandenong.com.au

Geelong - VIC Showroom

1/2A Gordon Avenue.

Geelong West Vic 3218

Ph/Fax: 5229 0844

E-mail: realflamegeelong@hotmail.com.au

Sydney - NSW Showroom

546 Pacific Highway.

Chatswood NSW 2067

Ph: (02) 8905 0189 Fax: (02) 8905 0192

E-mail: info@realflame.com.au

Miranda - NSW Showroom

36 Kareena Rd

Miranda NSW 2228

Ph: (02) 8513 6202 Fax: (02) 9520 1974

E-mail: fireplace@realflamesouth.com.au

Adelaide - SA Showroom

173 -175 Magill Rd.

Norwood SA 5067

Ph: (08) 8132 0371 Fax: (08) 8132 1687

E-mail: realflamesa@iprimus.com.au

Milton - QLD Showroom

46 Douglas St,

Milton QLD 4064

Ph: (07) 3368 2011

Perth - WA Showroom

47-53 McDonald St East,

Osborne Park WA 6017

Ph: (08) 9444 9900 Fax: (08) 9444 9800

Fyshwick - ACT Showroom

88 Wollongong St,

Fyshwick ACT 2609

Ph: (02) 6280 5522

Ulverstone - TAS Showroom

31A Victoria St,

Ulverstone TAS 7315

Ph: (03) 6425 4440