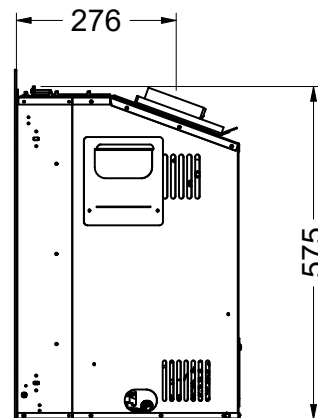
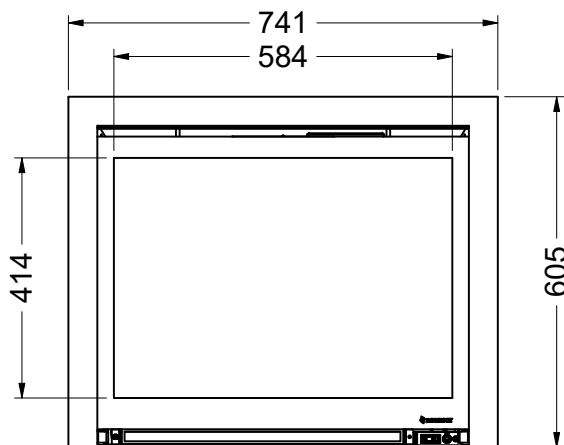
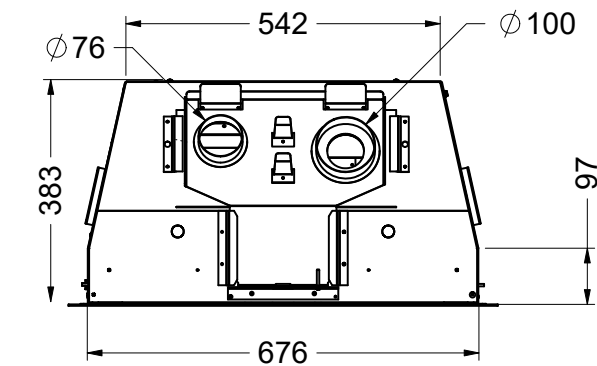


Greenfire Gas Inbuilt Fireplace - GFI750L

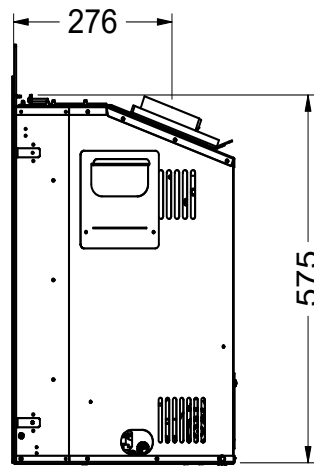
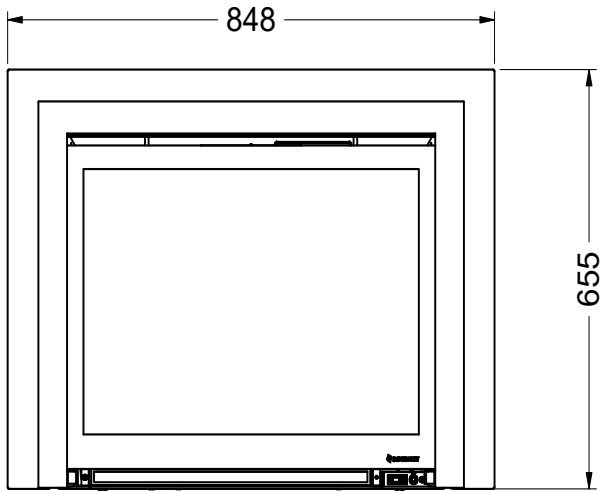
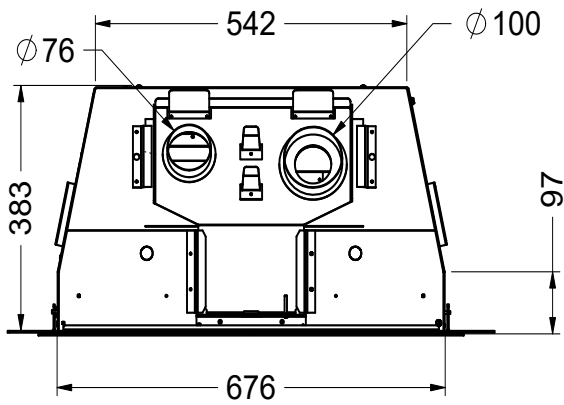
MODEL	GFI750NG	GFI750LP	GF750ULPG
Fuel Type	Natural Gas	Propane	Propane
Gas Consumption-High	26 MJ/h	26 MJ/h	21.5 MJ/h
Gas Consumption-Low	16.9 MJ/h	18.1 MJ/h	17.7 MJ/h
Minimum Supply Pressure	1.13 kPa	2.75 kPa	2.75 kPa
Manifold Pressure-High	0.87 kPa	2.49 kPa	2.49 kPa
Manifold Pressure-Low	0.40 kPa	1.59 kPa	1.59 kPa
Injector Size	1 x #42 (2.37 mm)	1.45 mm	1 x #55 (1.32 mm)



Unit Dimensions - Flush Install (millimeters)



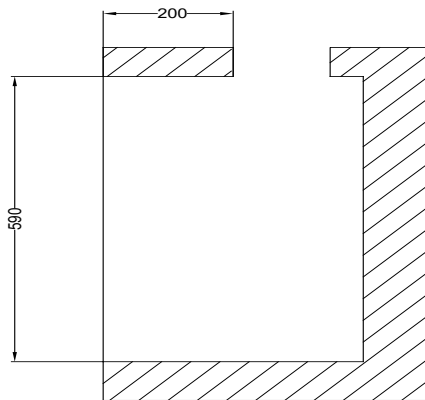
Unit Dimensions - With Backing Plate (millimeters)



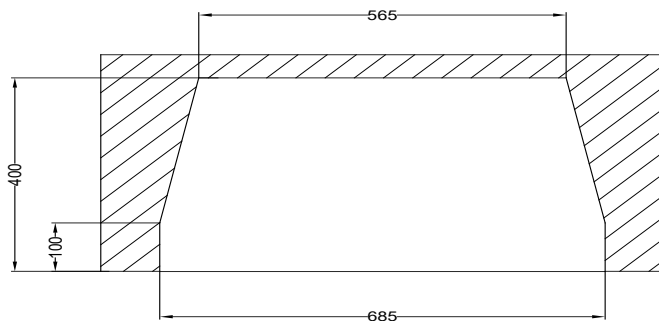
Minimum Fireplace Opening

The minimum fireplace openings for the Regency GFi750 gas space heater are shown below:

Lintel Depth (mm)	Height (mm)	Width Front (mm)	Depth (mm)	Width-Back (mm)
200	590	685	400	565



Side View



Top View

Installation Checklist

Before installing vent system ensure that the damper plate is open and secure to prevent the damper plate from falling down and crushing the liner.

The FPI Gas Inbuilt is installed as listed.

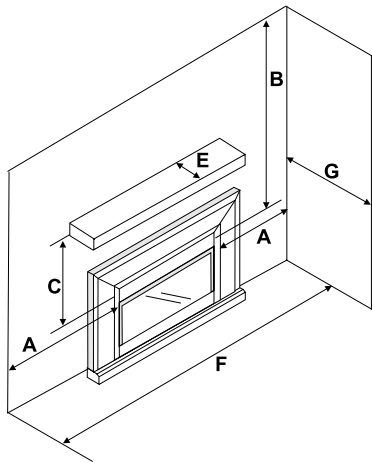
1. Check all clearances to combustibles, (Refer to sections "Minimum Fireplace Opening and Clearances to Combustibles")
2. Make the gas connection. (Refer to section "Gas Connection")
3. Install the 76 mm and 102 mm flue liner to the sliding connector plate. (Refer to section "Flue Liner Installation.")
4. Slide the unit half way into the fireplace.
5. Pull the vent connector plate through the tapered brackets and fasten to the front plate. Refer to section "Flue Liner Installation.")
6. Slide the unit fully into the fireplace.
7. Test gas pressure (Refer to section "Gas Pipe Pressure Testing"). Check aeration system (Refer to section "Gas Insert Aeration System").
8. Install standard and optional features. Refer to the following sections:
 - a. Log Set
 - b. Door, Primary Guard & Faceplate
 - c. Inner Glass Panels (optional)
9. Final check: Before leaving this unit with the customer, the installer must ensure that the appliance is firing correctly. This includes:
 - a) Clocking the appliance to ensure the correct firing rate.
 - b) Adjusting the primary air and restrictor settings, if required, to ensure that the flame does not carbon.

Clearances to Combustibles

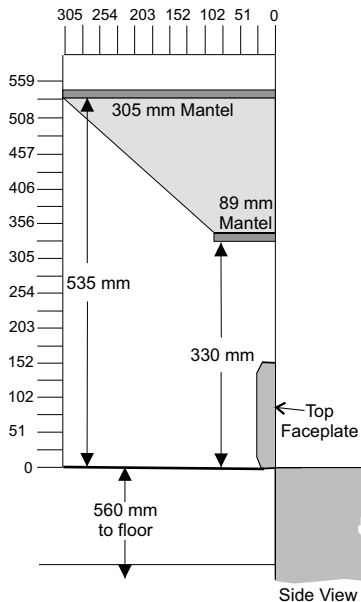
Minimum Clearances to Combustibles

	From Unit	
Sides	A	180 mm
Ceiling	B	1205 mm
Mantel	C	330 mm
Max. Mantle Depth	E	305 mm
		(see Dia. 2)
Min. Alcove Width	F	1220 mm
Max. Alcove Depth	G	915 mm

*No hearth required.



Mantel Clearances

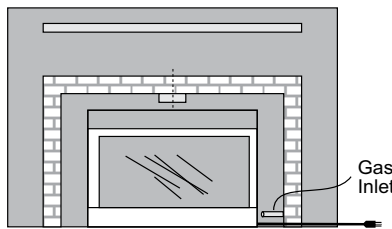


- NOTES**
- A non-combustible mantel may be installed at a lower height if the framing is made of metal studs covered with a non-combustible board.
 - The non-combustible mantel when installed at a lower overall height may not be lower than 152 mm from the top of the fireplace opening.

Gas Connection

GAS CONNECTION WARNING:
Only persons licensed to work with gas piping may make the necessary gas connections to this appliance.

- 1) If the appliance is to be installed into an existing chimney system, thoroughly clean the masonry fireplace.
- 2) The appliance is provided with an opening on the right hand side of the control compartment. The 9.5 mm flexible gas hose provided needs to be brought in from behind this opening. Ensure all gas connections are tight.
- 3) Locate the center point where the vent will pass through the chimney above the appliance. Move the appliance into the exact location where it is to be installed. Ensure that the Insert is level.



NOTE: Shut off valve must be installed in an accessible location.

Flueing

WARNING
DO NOT USE AN UNLINED MASONRY CHIMNEY AS THE FLUE FOR THIS APPLIANCE. THE APPLIANCE MUST NOT CONNECT TO A CHIMNEY FLUE SERVING A SEPARATE SOLID FUEL BURNING APPLIANCE AND MUST BE TERMINATED TO THE OUTDOORS.

This appliance is designed to be attached to two co-linear aluminium flex pipes running the full length of the chimney. The flue length must be a minimum length of 2.44 m and a maximum of 10.7 m. See chart for minimum distances from roof. Periodically check that the vent is unrestricted.

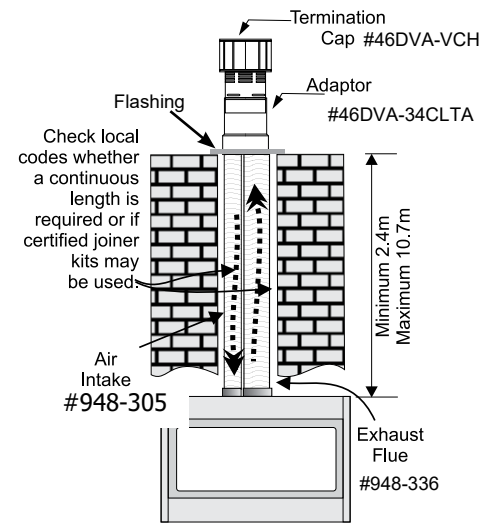
Masonry chimneys may take various contours which the flexible liner will accommodate. However, **keep the flexible liner as straight as possible**, avoid unnecessary bending.

The Air Intake pipe must be attached to the inlet air collar of the adaptor.

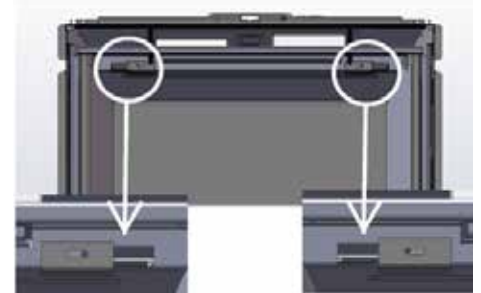
946-773 Vertical Flue Kit

The flue kit contains the following:

Part #	Description
948-305	76mm Flex - 10.7m
948-336	102mm Flex - 10.7m
46DVA-VCH	Termination Cap High Wind
46DVA-34CLTA	Adaptor & Chimney Plate



Note: When installing the flueing, identify the flues. Mark one exhaust and one intake as indicated on the top of the unit.



Flue Restrictor Settings:

29 mm x 2 (Factory Set)