

HEAT & GLO™

i30X



Introducing the i30X

Restore the integrity of your old fireplace with the technically advanced i30X insert from Heat & Glo. Aesthetically pleasing and highly functional, the i30X was created to defy the conventional standards of fireplace inserts.

A large viewing area due to flush hearth technology and smaller frame showcase flickering flames on superior, higher definition logs. The whisper quiet, high volume fan guarantees a wide range of heat output warming for maximum comfort. A choice of interior options include two brick refractory designs, black glass or standard black, which can be dramatically enhanced with the accent lighting feature.

Zero Clearance

Our i30X fireplace is available in a zero clearance option, so can be installed directly into a timber frame, no brickwork required.



Features

- Remote Control enables independent control of flame height, fan speed, LED lights and more
- IntelliFire Plus electronic ignition system eliminates the need for a standing pilot
- Flexible flue designed for an existing chimney and Direct Vent technology ensure clean and safe indoor air quality
- High definition, hand-painted log media as standard
- Choice of fronts and trims
- Choice of interior options
- Our limited lifetime warranty is the strongest and most comprehensive in the industry
- Optional fade resistant black glass interior that reflects the flame, not the room



Direct Vent Technology



IntelliFire PLUS Ignition



Choice of fronts and trims



Refractory options



Multi-function remote control



Zero Clearance Installation



Freestanding

The i30X is also available in a space saving freestanding design, with 2 base options to choose from. The i30X firebox is enclosed in a minimalistic mild steel casing designed to give less frame and more flame. The matching flue and casing feature a powdercoated finish that allows worry free cleaning.

The freestanding i30X Linear or Stretch pedestal bases have modern design in mind with clean lines and an elevated view of the fire and beautifully crafted high definition logs.

Designed from the chassis of our Zero Clearance model, the freestanding i30X can be installed onto practically any surface giving you the freedom to design it your way.

Features

- Remote Control enables independent control of flame height, fan speed, LED lights and more
- IntelliFire Plus electronic ignition system eliminates the need for a standing pilot
- Choice of 2 bases, or unit can be installed without a base directly onto any surface
- High definition log media
- Choice of interior options
- Our limited lifetime warranty is the strongest and most comprehensive in the industry
- Optional fade resistant black glass interior that reflects the flame, not the room
- Powdercoated finish on freestanding casing, with matching powdercoated solid flue



Direct Vent Technology



IntelliFire PLUS Ignition



Refractory options



Multi-function remote control



Choice of bases

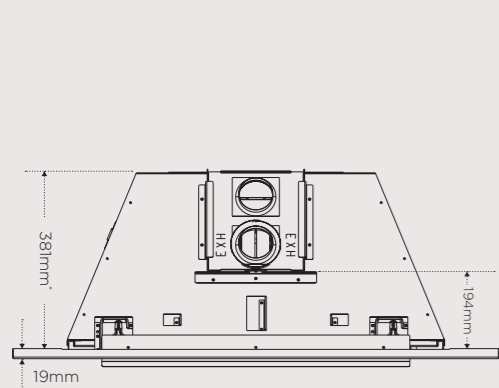


Product Specifications

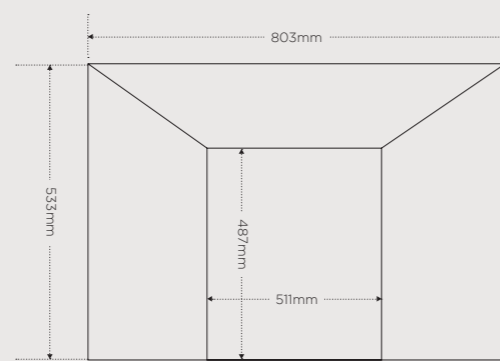
i30X

Standard Unit

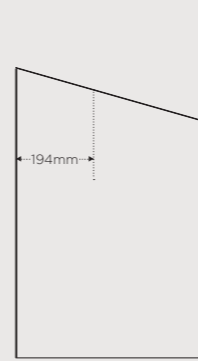
Top View



Front View



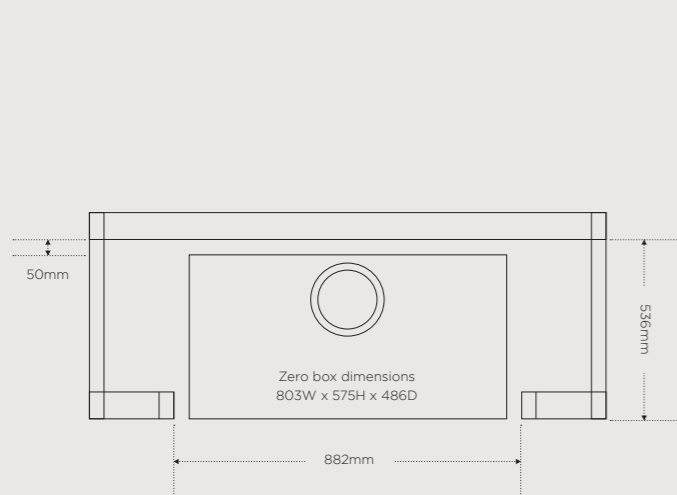
Side View



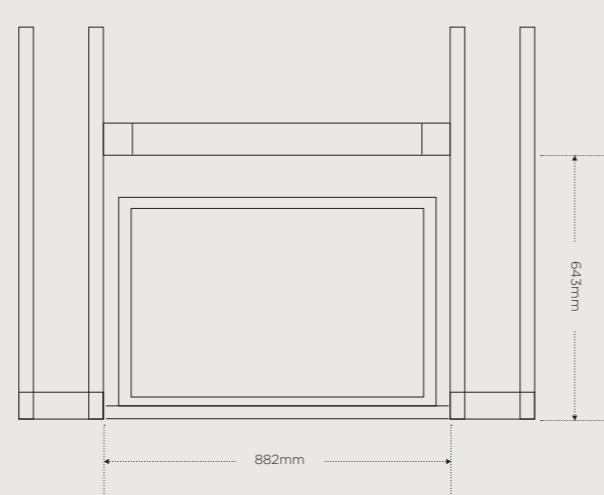
*Unit depth is measured to the back of the surround to give the depth needed for installation.

Zero Clearance Unit

Top View



Front View



Freestanding Unit

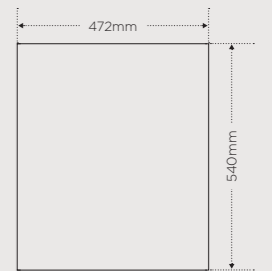
Top View



Front View

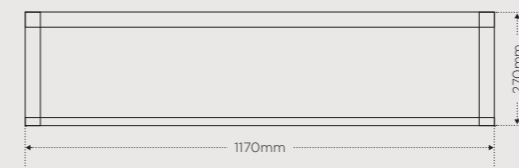


Side View



*Freestanding units only available with inside fit front.

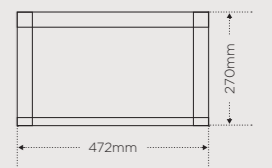
Stretch Base Front



Linear Base Front

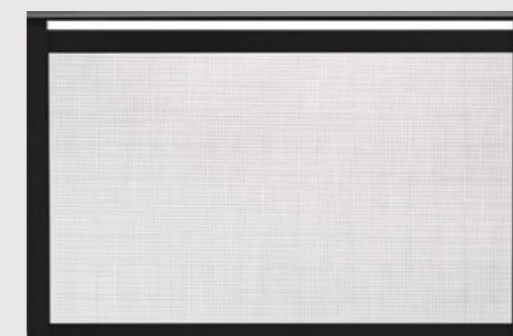


Linear & Stretch Base Side



Upgrade Options

Fronts

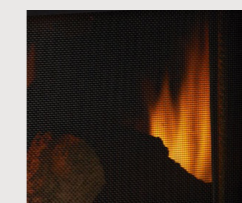


Inside fit front

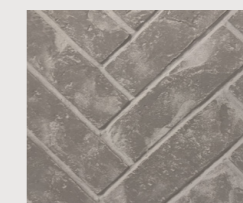


Firescreen front

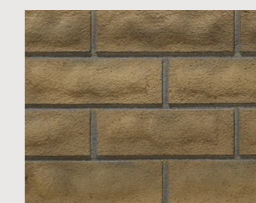
Interiors



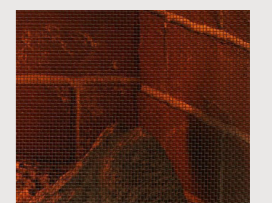
Reflective glass



Herringbone liners



Stratford brick liners



Accent lights

HEAT & GLO™



www.jetmastervic.com.au

Disclaimer: Whilst Jetmaster makes every effort for accuracy, some finishes in this brochure may vary from actual product.