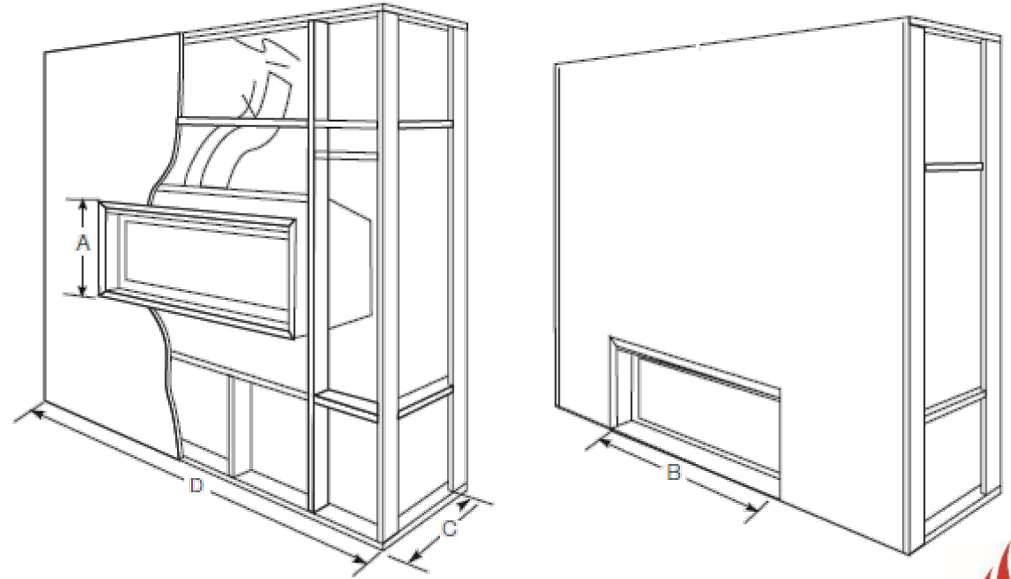
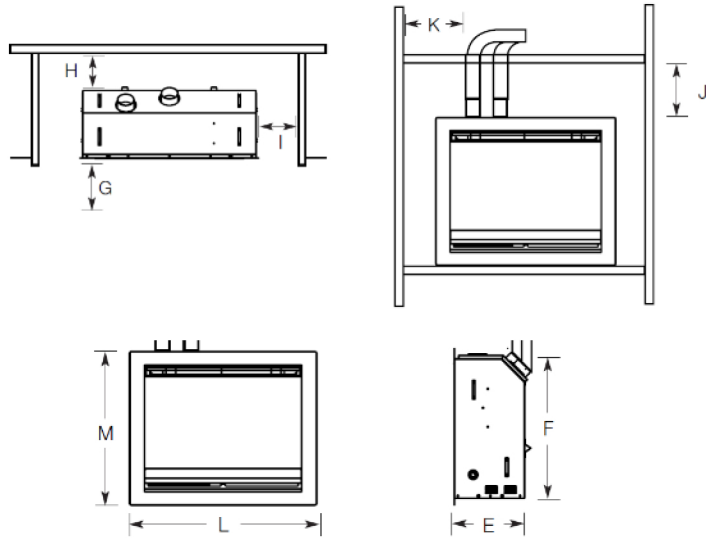


Installation & Technical

Model	A	B	C	D
700	580	710	450	1500
900	580	910	450	1500
1100	580	1110	450	1500

IOM AVAILABLE ON REALFLAME.COM.AU



NOTE: ALL DIMENSIONS ARE IN MILLIMETRES



Installation & Technical

Model	E	F	G	H	I	J	K	MAX	Trim	
								FLUE	L	M
700	296.2	580	250	25	5	5	25	5 M 4 BENDS	720	587
900	296.2	580	250	25	5	5	25	5 M 4 BENDS	920	587
1100	296.2	580	250	25	5	5	25	5 M 4 BENDS	1120	587

NOTE: ALL DIMENSIONS ARE IN MILLIMETRES

