

# **ELEMENT FLAME EFFECT SPACE HEATER XL FLUE CONFIGURATIONS**

---

## **INSTALLATION & OPERATING MANUAL**

The Real Flame Element space heater is suitable to be installed into a masonry fireplace or in a frame out installation. Designed to operate on Natural gas, LPG and ULPG gas.

Approval no.GMK 10441

VERSION 8

## WARRANTY INFORMATION

The benefits provided to you under the following warranty are in addition to any other rights and remedies available to you under the law.

### 1. Warranty

If:

- (a) during the first 15 years from the date of purchase (Firebox Warranty Period), there is a defect in the firebox of the Gas Burner; or
- (b) during the first 2 years from the date of purchase (Parts Warranty Period), there is a defect in the gas valves or other parts of the Gas Burner,  
due to improper workmanship or material, Glen Dimplex will replace or repair the Gas Burner without charge. Any replacement product is warranted only for the time remaining on the original Firebox Warranty Period or the Parts Warranty Period as relevant.

### 2. Registration

You must register to receive the benefit of this warranty by completing the warranty registration on our website ([www.realflame.com.au](http://www.realflame.com.au)) or completing and mailing the attached registration card within 30 days of purchase of your Gas Burner (or, if the Gas Burner is fitted to a new home, within 30 days of the date of settlement of purchase of such new home).

### 3. Exclusions

Glen Dimplex is not obliged to replace or repair the Gas Burner under clause 1 if:

- (a) it has been improperly stored, installed, connected, used, operated or repaired, or damaged, abused, tampered with, altered (without our written approval), or not maintained in strict accordance with our installation and operating instructions; or
- (b) it has been installed in an outdoor setting.

### 4. Limit of Liability

The warranty provided under this warranty is limited to replacement or repair of the Gas Burner only, at our option. To the extent permitted by law, Glen Dimplex excludes liability for consequential loss or any other loss or damage caused to property or persons arising from any cause whatsoever, and damage arising from normal wear and tear.

### 5. Claiming under the Warranty

In order to claim under this warranty you must, within the Firebox Warranty Period or the Parts Warranty Period (as relevant), contact Glen Dimplex, providing the original proof of purchase and the details below:

Supplier Name \_\_\_\_\_

Date Of Purchase / settlement of property if new home \_\_\_\_\_

Model / Serial Number \_\_\_\_\_

This warranty does not cover the cost of claiming under the warranty or transporting the Real Flame Gas Burner to and from the supplier.

Our goods come with guarantees that cannot be excluded under the Australian Consumer Law. You are entitled to a replacement or refund for a major failure and for compensation for any other reasonably foreseeable loss or damage. You are also entitled to have the goods repaired or replaced if the goods fail to be of acceptable quality and the failure does not amount to a major failure.

If you would like to speak to someone about your Gas Burner or claiming under this warranty, please contact the Service Warranty Desk on 1300 554 155.

Glen Dimplex Australia Pty Ltd ACN 69 118 275 460  
Head Office: 1340 Ferntree Gully Road, Scoresby 3179  
Telephone: (03) 8706 2000 Facsimile: (03) 876 2001

## WARNING

The Element space heater has a primary safety glass fitted in front of the glass door. This safety glass is fitted to this appliance to reduce the risk of injury from burns and at no time should this glass be permanently removed. For protection of young children or the infirm, a secondary guard is required.

The appliance is not intended for use by persons (including children) with reduced physical, sensory or mental capabilities, or lack of experience and knowledge, unless they have been given supervision or instruction concerning use of the appliance by a person responsible for their safety. Children should be supervised to ensure that they do not play with the appliance.

## WARNING

The outer glass panel gets extremely hot! Precaution should be taken and young children supervised at all times when heater is operating.

## INSTALLATION NOTICE

- The installation of this appliance is only to be carried out by an authorised person in accordance with the Manufacturer's Instructions, local gas fitting regulations, AS/NZS5601.1-2013 installation code for gas burning appliances and any other relevant statutory regulations.
- Do not modify this appliance.
- In all cases the installation of this appliance shall meet the requirements as set out in AS/NZS5601.1-2013.
- Do not install in a fireplace.

- NOTE: A slight smell may be apparent for the first few hours of use. This is due to the heat resistant paint curing. It is recommended to open windows in the room for the first lighting of the fire. In some instances a slight discolouration may occur inside the firebox. This is a normal condition and is not covered by warranty.

## IMPORTANT SAFETY NOTICE

- DO NOT PLACE ARTICLES ON OR AGAINST THIS APPLIANCE.
- DO NOT USE OR STORE FLAMMABLE MATERIALS IN OR NEAR THIS APPLIANCE.
- DO NOT SPRAY AEROSOLS IN THE VICINITY OF THIS APPLIANCE WHILST IT IS IN OPERATION.
- CARE MUST BE TAKEN TO ENSURE THAT ANY RETURN AIR REGISTER OR EXHAUST SYSTEM DOES NOT ADVERSLEY AFFECT THE OPERATION OF THE APPLIANCE OR DRAUGHT OF CHIMNEY OR FLUE.

## SERVICING

It is recommended you service your gas fire every 2 years as a minimum.

## CORD REPLACEMENT

Electrical cord replacement must be undertaken by qualified and trained personnel only.

- APPLIANCE IS DESIGNED TO OPERATE WITH LUMINOUS FLAMES.  
MAY EXHIBIT SLIGHT CARBON DEPOSIT.

# CONTENTS

Contents .....	4
Dataplate .....	5
Dimensions.....	5
Installation instructions .....	7
Setup & Installation – Wall mounted fan terminal .....	10
Setup & Installation – Appliance mounted fan with wall termination .....	18
Setup & Installation – Internal mounted fan with wall termination .....	25
Setup & Installation – Internal mounted fan with rooftop termination.....	31
Timber Frame Installation .....	36
Trims .....	38
Commissioning procedure .....	40
Media Installation.....	40
Operation - User Instructions.....	44
Flue Termination (Cows).....	45
Remote Control Operating Guide .....	46
Wifi Device Control Instructions.....	49
Troubleshooting .....	56
Wiring Diagram .....	57
Conversion details .....	58
Parts List.....	68
Real Flame contact information .....	72



## DATA PLATE (Affixed to the base of the unit for reference to gas pressure & consumption)

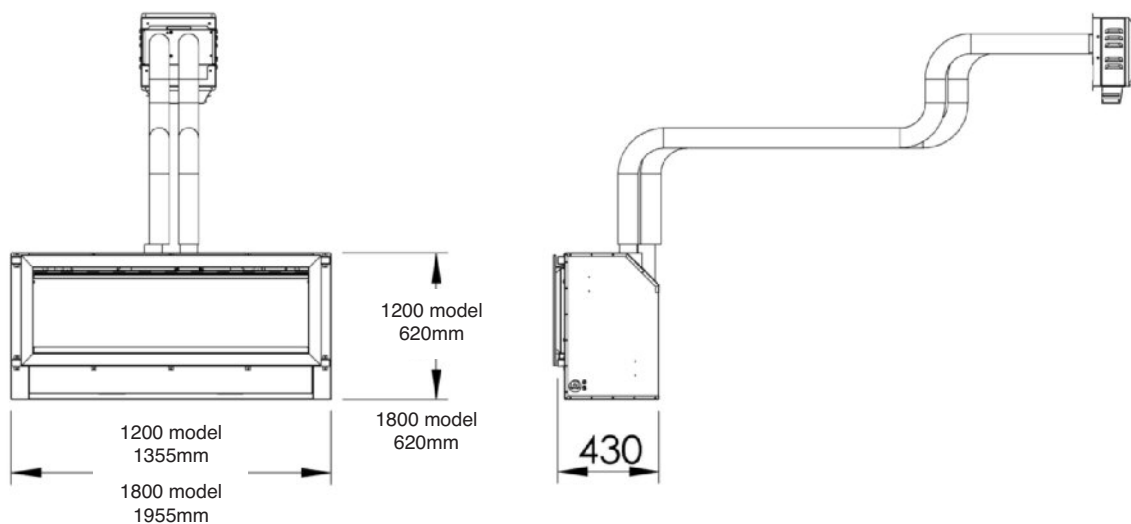
### Element 1200

GAS TYPE	INJECTOR SIZE	TPP	N.G.C. (Mj/hr)
Natural Gas	3 X 2.25mm	0.85kPa High / 0.55kPa Low	37 High/29 Low
LPG	3 X 0.95mm	2.50kPa High / 1.70kPa Low	33 High/27 Low
ULPG	3 X 0.95mm	2.50kPa High / 1.70kPa Low	33 High/27 Low

### Element 1800

GAS TYPE	INJECTOR SIZE	TPP	N.G.C. (Mj/hr)
Natural Gas	3 X 2.30mm	0.92kPa High / 0.55kPa Low	39 High/30 Low
ULPG	3 X 1.00mm	2.50kPa High / 1.70kPa Low	35 High/28 Low

## DIMENSIONS



## INSTALLATION INSTRUCTIONS

### LOCATION

Select a location where the fire can be supervised during operation.

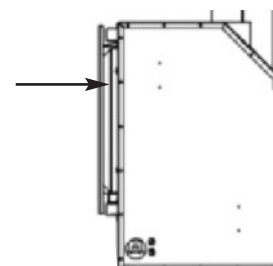
An electrical isolation switch must be fitted at the appliance or on an adjacent wall to allow for emergency shutdown and maintenance.

Installation must meet Australian gas codes AS5601

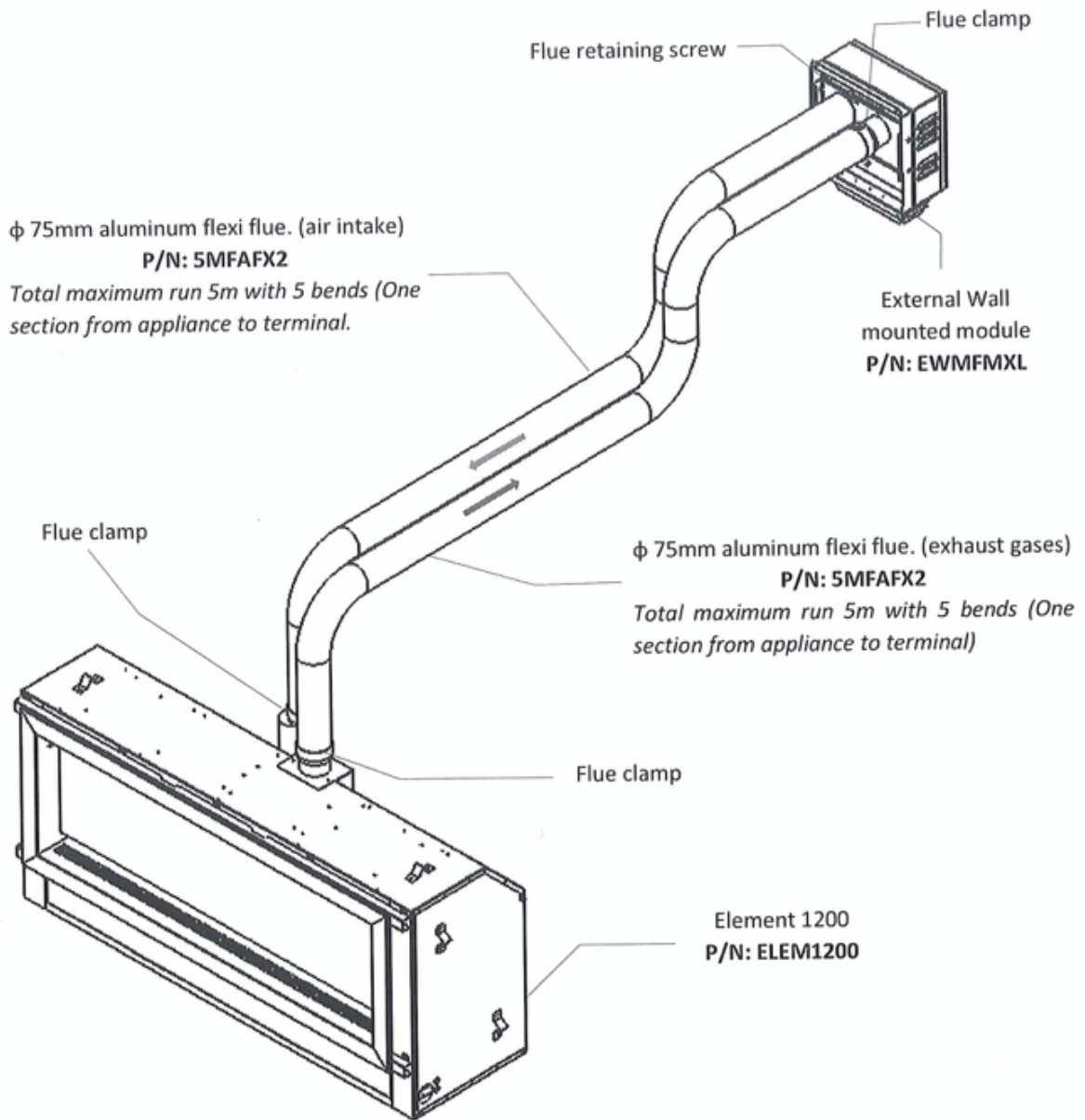
### Installation clearances - Clearances from combustible materials

Floor	0mm
Sides	25mm
Top	25mm
Flue outer	25mm
Front	25mm
Back	25mm

Cladding between trim and firebox must be non-combustible materials



# ELEMENT STANDARD 3M-5M FLUE - WALL MOUNTED FAN



# INSTALLATION INSTRUCTIONS

## INSTALLATION CODES

Note appliance gas type – Natural gas, LPG or ULPG. Should the appliance be the incorrect gas type, please contact the supplier.

Installers – Please ensure the installation and instruction manuals supplied with this appliance are supplied to the customer and the customer is trained on how to operate the appliance correctly.

Do not modify the appliance.

Do not exceed maximum rated pressures.

Appliance must be installed with gas installation code (AS/NZS5601.1-2013) and applicable electrical installation code (AS3000).

Test for gas leaks prior to operating appliance.

Check gas pressures and adjust if incorrect.

## FLUE CONFIGURATIONS

Flue configurations 5m or less run an aluminium flexible flue for both the inlet and outlet. Where lengths greater than 5m are required a poly flue system is used, refer to the manufacturer XLC flue configurations manual.

Recommended Silicon – Non acetic, neutral cure 150degc or higher temperature rated.

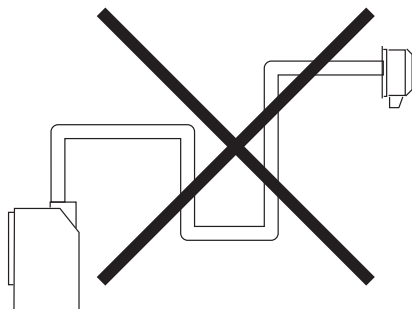
Bostik RTV 926 or similar

## FLUE SPECIFICATIONS

75mm internal diameter twin walled aluminium flexible flue, supplied in 5m lengths.

Flue external diameter approx. 83mm.

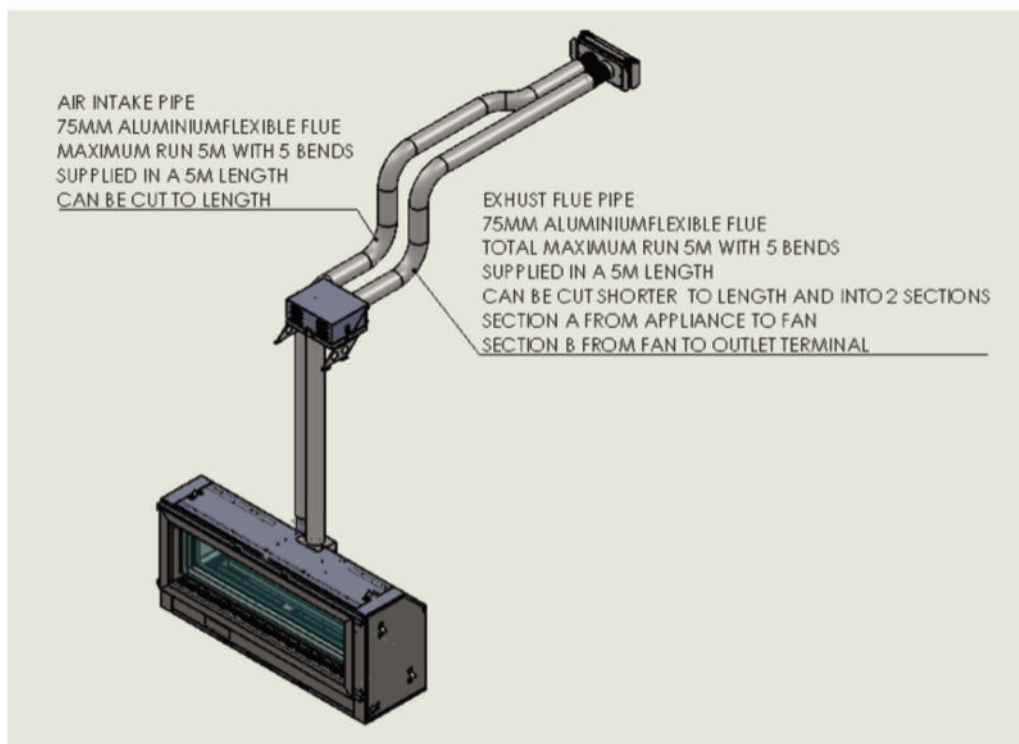
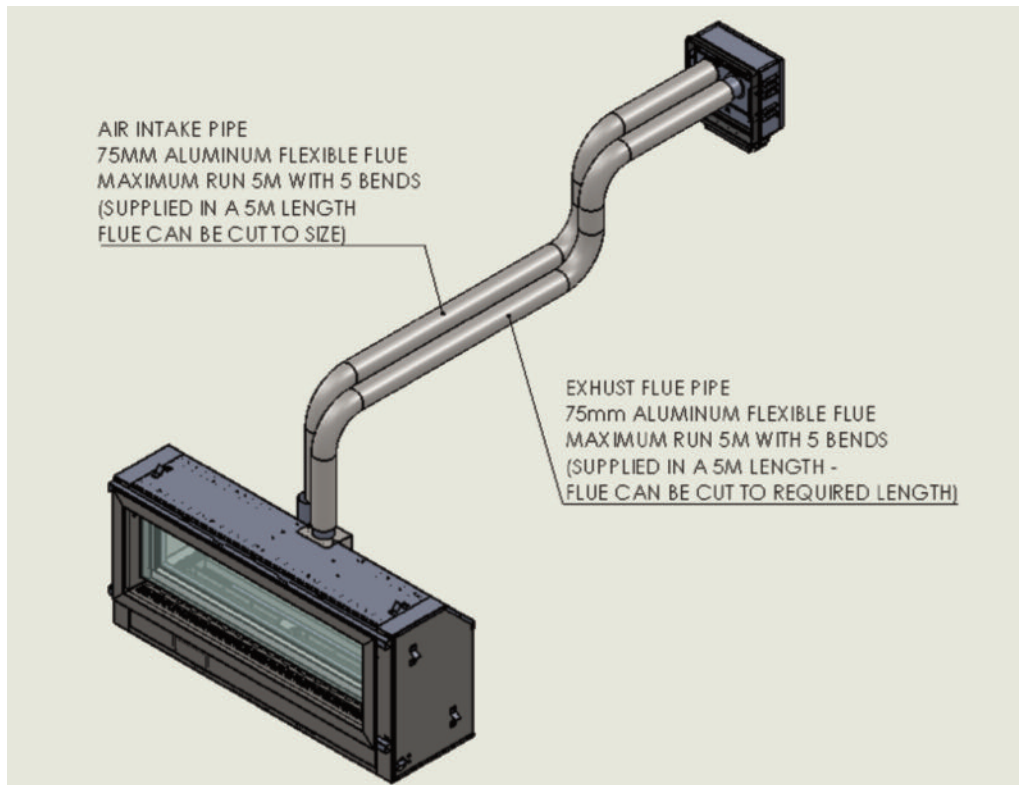
U style flue runs must not be installed



## INSTALLATION INSTRUCTIONS (continued)

### **XL Flue runs 3m to 5m length (excluding 0-6m rooftop termination)**

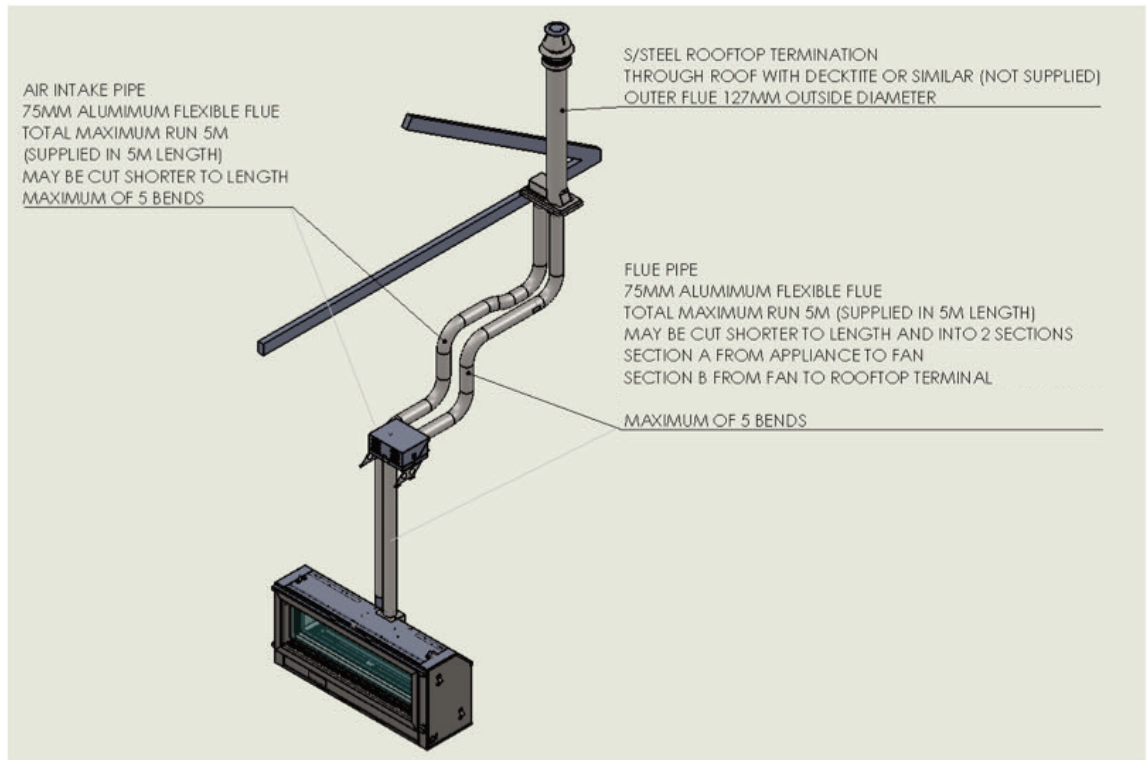
- External wall mount outlet with integrated flue fan (XL model)
- External wall mount terminal (Flue fan installed above appliance internally)(XL model)



## INSTALLATION INSTRUCTIONS (continued)

### Flue runs 0m to 5m length rooftop termination only

- Vertical roof termination (S/Steel rooftop termination)



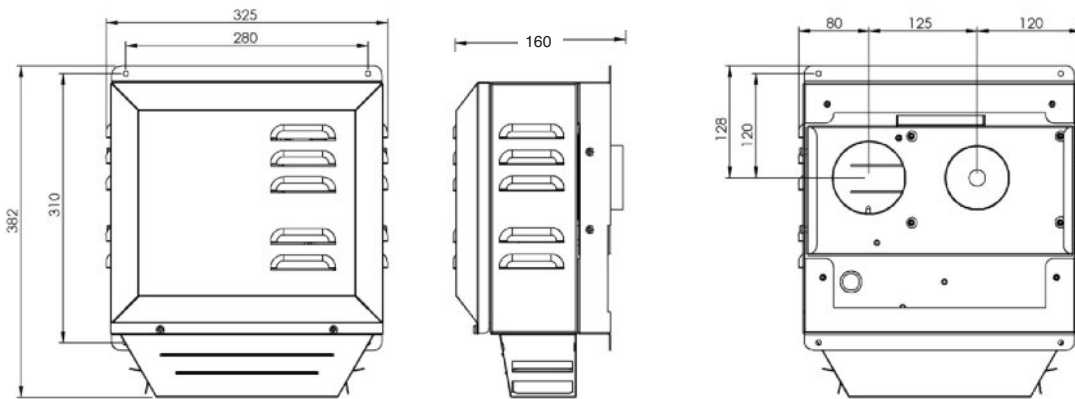
# INSTALLATION INSTRUCTIONS (continued)

## BALANCED FLUE TERMINATION LOCATION

This section is used to determine where your Balanced Flue termination will be located.

- Flue terminations shall not be recessed in walls or sidings.
- **EXTREMELY IMPORTANT:** In heavy snow areas take extra care to prevent blocking flue termination with snow removal equipment.
- Flue gases exiting flue terminals are very hot and must not be restricted to assure fireplace combustion is not affected.
- Do not place, build any obstruction, plant any bushes or for any reason attempt to conceal the flue termination. To do so will affect the operation of the fireplace and may be hazardous.
- This unit must always vent directly to outdoors.

## SETUP WITH EXTERNAL WALL MOUNTED FAN TERMINAL



## INSTALLATION INSTRUCTIONS (continued)

1. Wall mounted fan module – terminal must be installed with clearances as specified by AS5601.1 Clause 6.9.3
2. Run exhaust flue and air intake flue as required – Maximum run 5m. Flues can be run next to each other. Maintain clearances to combustibles.
3. Connection to appliance



Cut tube to length where required.

Ensure ends are burr free and round, test fit flue will slide over connection.



Recommended Silicon – Non-acetic, neutral cure 150°C or higher temperature rated.

Bostik RTV 926 or similar.

Apply an 8mm thick silicon bead fully around heater connection approx. 10mm from the top.



Apply an 8mm silicon bead fully around the inside of the flue end (heater connection end)

Fit flue clamp over flue (loosely).

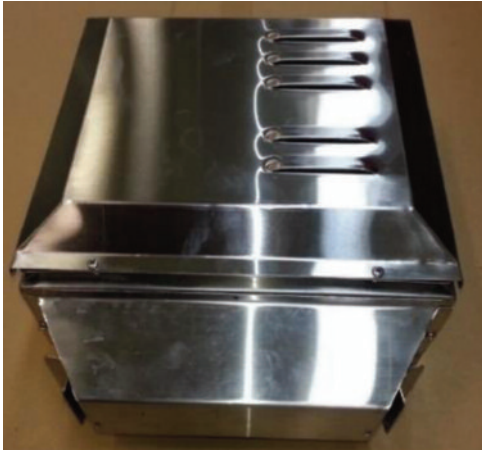


## INSTALLATION INSTRUCTIONS (continued)

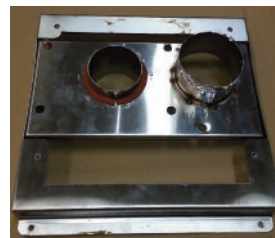


Slide flue onto connection spigot fully.  
Tighten clamp fully.  
Wipe excess silicon, visually check connection to ensure connection is fully sealed.

4. Repeat above with air intake flue pipe to heater connection.
5. Clip flues as required to provide adequate support.
6. Connection to wall mounted fan terminal

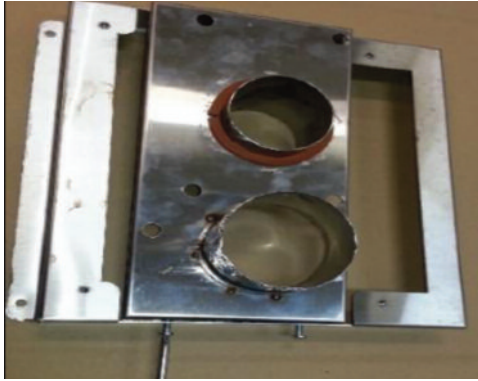


Remove cover from fan terminal  
Remove main assembly from the rear wall mounting plate assembly.  
Remove the 5 screws as shown. (Do not remove fan plate screws)  
Lift off main fan terminal assembly.





## INSTALLATION INSTRUCTIONS (continued)



Remove wall mount plate from flue connection plate.



Cut flue exhaust tube (hot tube) to length (Approximately flush with wall exit).  
Connection plate will sit against wall.

Cut Air intake flue 70mm longer.

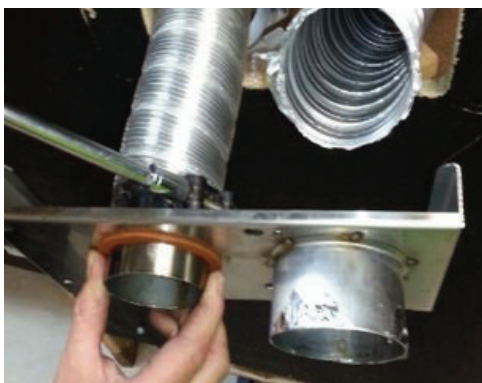
Ensure ends are burr free and round, test fit flue will slide over connection.

Apply an 8mm thick silicon bead fully around flue connection plate spigot approx. 10mm from the top.



Apply an 8mm silicon bead fully around the inside of the flue end (heater connection end)

Fit flue clamp over flue (loosely).

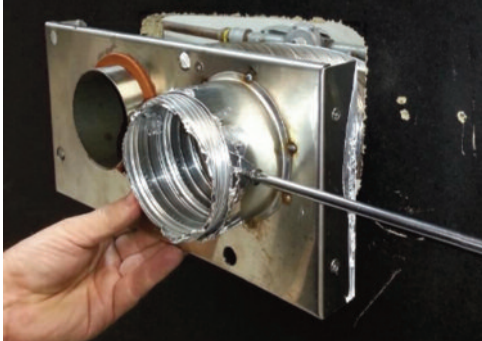


Slide flue onto connection spigot fully.

Tighten clamp fully.

Wipe excess silicon, visually check connection to ensure connection is fully sealed.

## INSTALLATION INSTRUCTIONS (continued)



Feed air intake flue pipe through location spigot and fit retaining screw.

Push connection plate into approximate position.

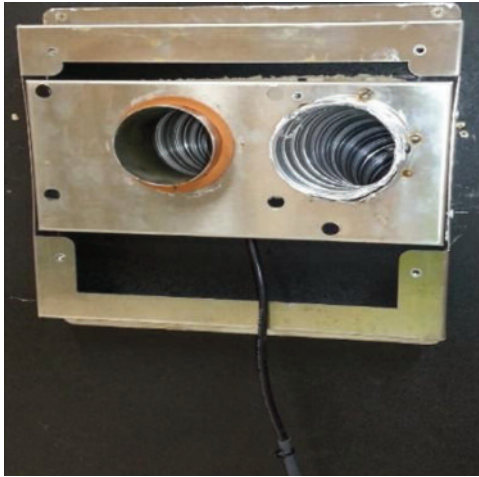


Locate wall mounting bracket into position and affix to wall.



Assemble spigot connection plate assembly to wall mounting bracket. (4 screws)

## INSTALLATION INSTRUCTIONS (continued)



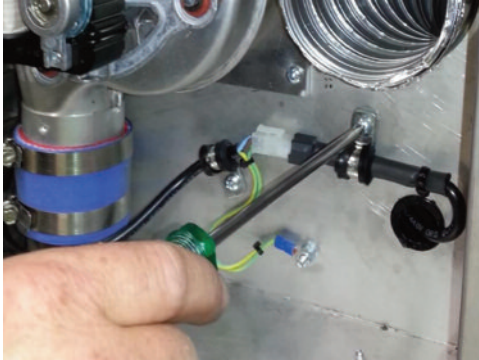
Feed power cable through bottom area of bracket.



Assemble main body assembly onto wall mounting bracket, feed power cable through grommet hole prior to fitting. (refit 5 screws as shown and tighten) Main body assembly must sit flush up against the mounting bracket and seal.



## INSTALLATION INSTRUCTIONS (continued)



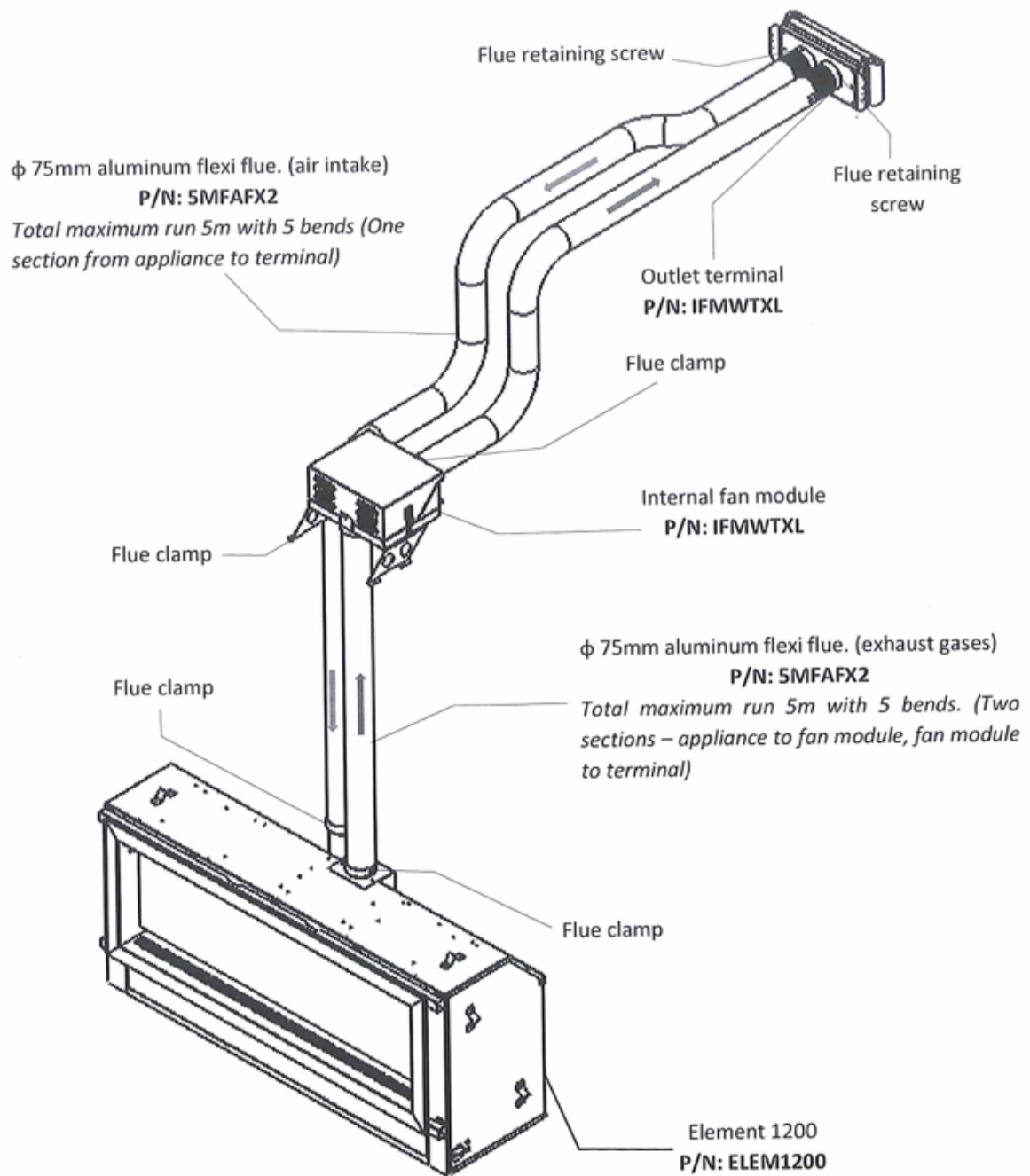
Connect power cable connector.  
Fit cable clamp to cable.



Fit front cover.



# ELEMENT STANDARD 3M-5M FLUE - INTERNAL FAN & WALL TERMINATION

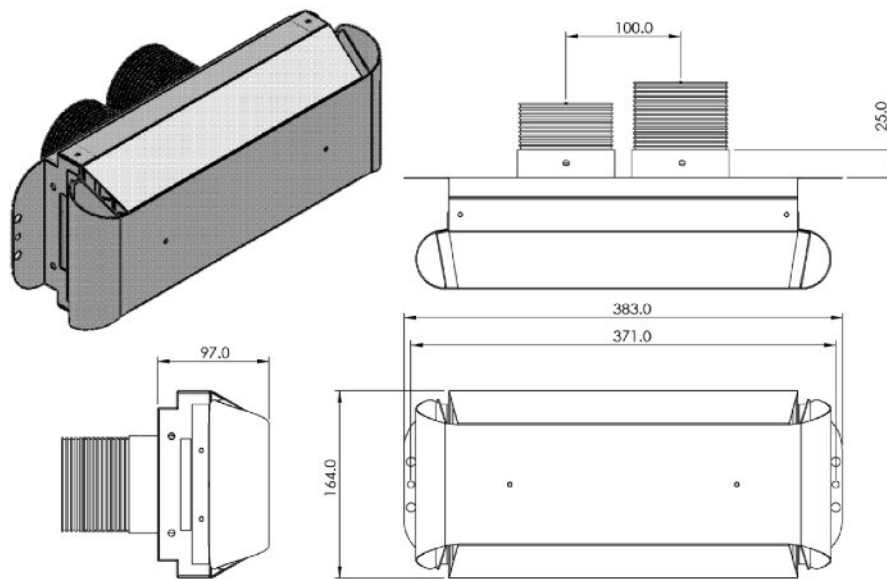


## INSTALLATION INSTRUCTIONS (continued)

### SETUP WITH INTERNAL FAN MODULE WITH WALL TERMINATION - APPLIANCE MOUNTED

Maximum 5m flue length

#### Wall termination



1. Wall terminal must be installed with clearances as specified by AS5601.1 Clause 6.9.3
2. Run exhaust flue and air intake flue as required – Maximum run 3m. Flues can be run next to each other. Maintain clearances to combustibles.
3. Connection to appliance

## INSTALLATION INSTRUCTIONS (continued)



Check 65mm flue piece for correct shape and fitment onto appliance spigot.

Ensure ends are burr free and round, test fit flue will slide over connection.

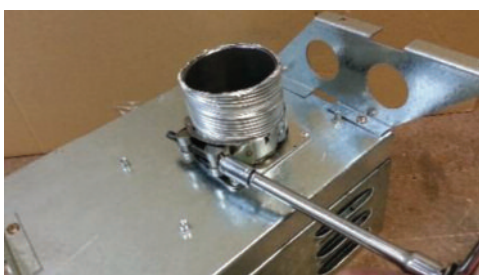
Recommended Silicon – Non-acetic, neutral cure 150degc or higher temperature rated.  
Bostik RTV 926 or similar.

Apply an 8mm thick silicon bead fully around heater connection approx. 10mm from the top.

Apply an 8mm thick silicon bead fully around the lower fan connection spigot approx. 10mm from the end.



Apply an 8mm silicon bead fully around the inside of the flue end, both ends.



Turn fan assembly upside down and slide 65mm flue section fully onto spigot.

Fit flue clamp and tighten clamp fully.

Wipe excess silicon, visually check connection to ensure connection is fully sealed.

## INSTALLATION INSTRUCTIONS (continued)



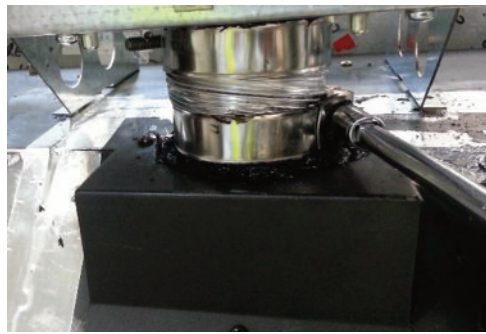
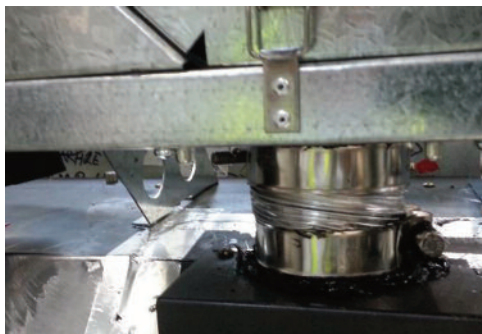
Fit 2nd flue clamp loosely onto the 65mm section of flue.

Lift fan assembly into appliance and locate onto flue connection. Insert fully. Locate fan in the required direction. Screw fan assembly down onto the appliance. (Screws prefitted into holes are located on the appliance for direct out back connection and 90° to right connection.)

(Note 90° left connection is not available and must be done using the 90° right connection fan location and placing a bend in the flue to head in the LH direction.)

Locate 2nd clamp onto lower connection and tighten clamp fully.

Wipe excess silicon, visually check connection to ensure connection is fully sealed.



3/ Fit hot exhaust flue pipe from outlet termination to fan outlet connection.

Cut tube to length where required.

Ensure ends are burr free and round, test fit flue will slide over connection.

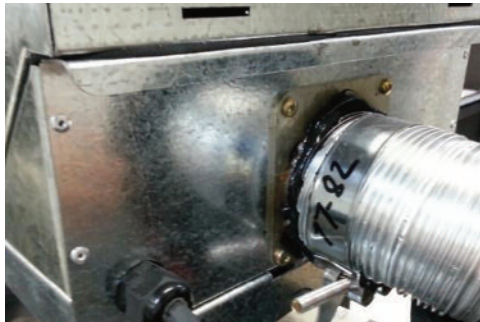




## INSTALLATION INSTRUCTIONS (continued)



Apply an 8mm thick silicon bead fully around heater connection approx. 10mm from the top.  
 Apply an 8mm silicon bead fully around the inside of the flue end (heater connection end)  
 Fit flue clamp over flue (loosely).



Slide flue onto connection spigot fully.  
 Tighten clamp fully.  
 Wipe excess silicon, visually check connection to ensure connection is fully sealed.



Connect power cable to fan module



4. Fit air intake flue pipe to heater connection.  
 Cut tube to length where required.  
 Ensure ends are burr free and round, test fit flue will slide over connection.

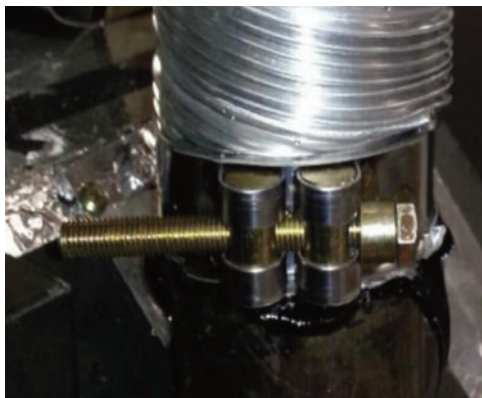
## INSTALLATION INSTRUCTIONS (continued)



Apply an 8mm thick silicon bead fully around heater connection approx. 10mm from the top.



Apply an 8mm silicon bead fully around the inside of the flue end (heater connection end).  
Fit flue clamp over flue (loosely).



Slide flue onto connection spigot fully.  
Tighten clamp fully.  
Wipe excess silicon, visually check connection to ensure connection is fully sealed.

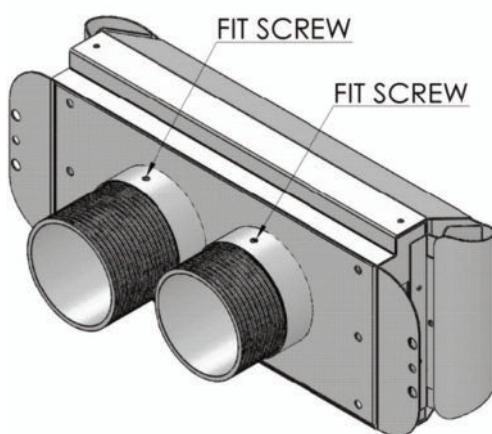


5. Clip flues as required to provide adequate support.

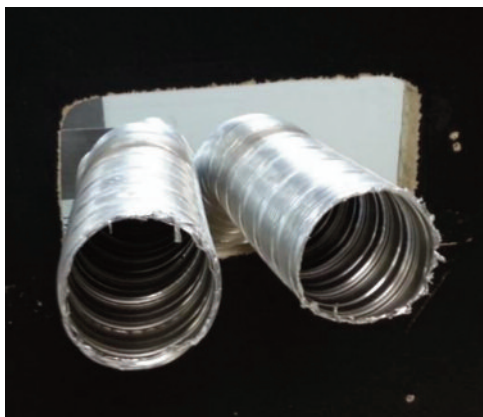
## INSTALLATION INSTRUCTIONS (continued)

### 6. Connection to wall terminal

#### **LOOSE FIT CONNECTIONS** (Wall termination connections)



Locate terminal on wall and predrill mounting holes where required.



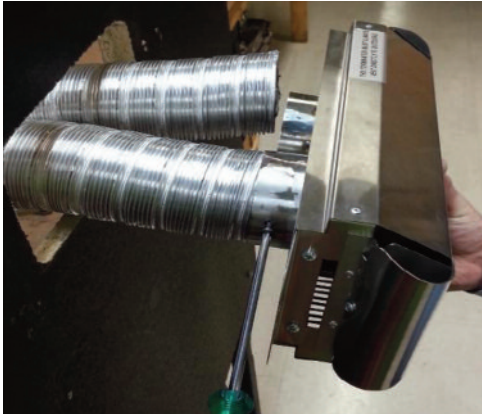
Cut flue exhaust tube (hot tube) to length (Flue must extend a minimum of 50mm past the exit face of wall.) It is recommended that the tubes are cut slightly longer and pushed back into wall upon fixing of wall terminal. Allow flue movement between terminal and last flue hanging clip.

Cut Air intake as per flue exhaust.

Ensure ends are burr free and round, test fit flue will slide inside both the hot exhaust connection and air intake connection.



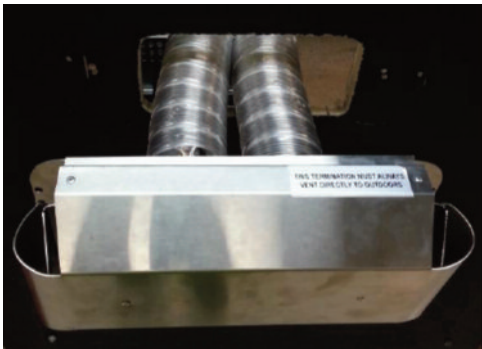
## INSTALLATION INSTRUCTIONS (continued)



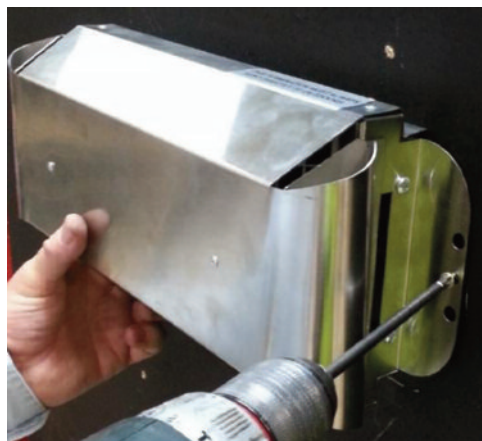
Feed air hot exhaust flue into connection, ensure inserted 50mm. Fit retaining screw from below.



Feed air intake flue into connection, ensure inserted 50mm. Fit retaining screw from below.



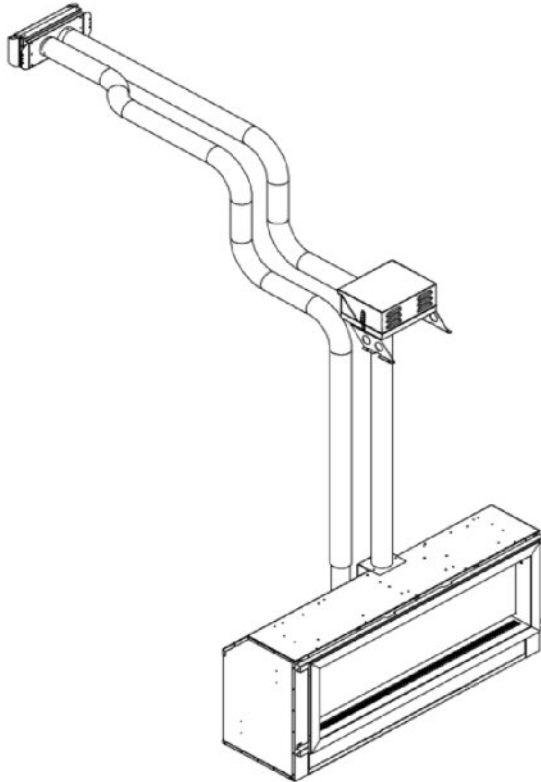
Push terminal into approximate position and affix onto wall.



## INSTALLATION INSTRUCTIONS (continued)

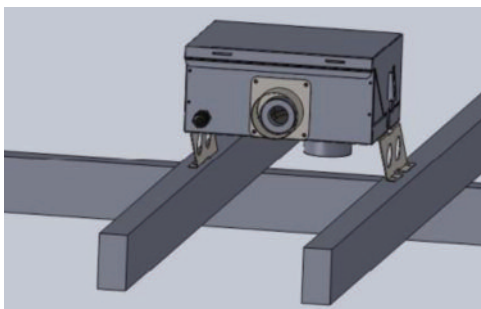
### SETUP WITH INTERNAL FAN MODULE WITH WALL TERMINATION – MID FLUE MOUNTED

Maximum 5m flue length



#### Wall termination - same as appliance mounted wall termination

1. Wall terminal must be installed with clearances as specified by AS5601.1 Clause 6.9.3
2. Run exhaust flue and air intake flue as required – Maximum total run 3m per flue. Flues can be run next to each other. Maintain clearances to combustibles.
3. Mount fan controller in the required location. (Access to the fan module is required for servicing, if the fan module is located inside a boxed frame, allow a 450 x 450 access panel).



4. Connection to fan module to appliance  
Run flue from appliance to bottom entry on fan module.  
Support flue with brackets as required

## INSTALLATION INSTRUCTIONS (continued)



Cut flue to length to suit connection.  
Ensure ends are burr free and round, test fit flue will fit over connection.



Apply an 8mm thick silicon bead fully around heater connection approx. 10mm from the top.



Apply an 8mm silicon bead fully around the inside of the flue end (heater connection end)  
Fit flue clamp over flue (loosely).



Slide flue onto connection spigot fully.  
Tighten clamp fully.  
Wipe excess silicon, visually check connection to ensure connection is fully sealed.

## INSTALLATION INSTRUCTIONS (continued)



Repeat for connection to underside of fan module.



Repeat for Air intake flue connection.



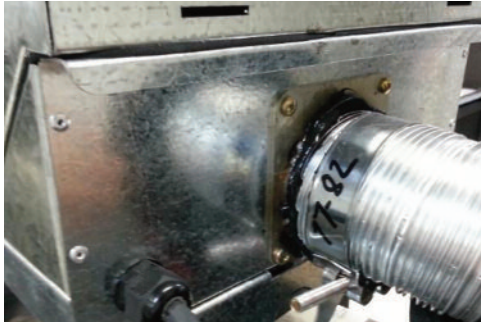
5. Fan module outlet connection  
 Cut tube to length where required.  
 Ensure ends are burr free and round, test fit flue will slide over connection.



Apply an 8mm thick silicon bead fully around heater connection approx. 10mm from the top.  
 Apply an 8mm silicon bead fully around the inside of the flue end (heater connection end)  
 Fit flue clamp over flue (loosely).



## INSTALLATION INSTRUCTIONS (continued)



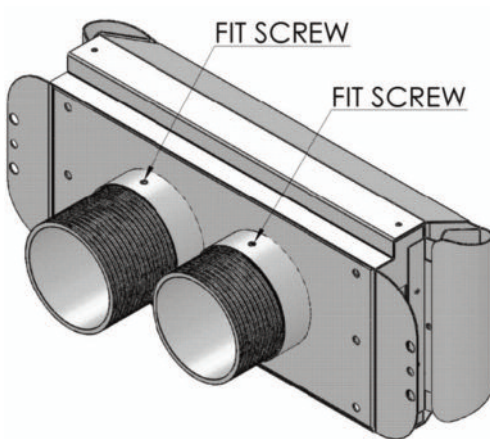
Slide flue onto connection spigot fully.  
Tighten clamp fully.  
Wipe excess silicon, visually check connection to ensure connection is fully sealed.



6. Connect power lead to fan module. Ensure lead is clipped to support where required.  
Do not use connection to support lead.

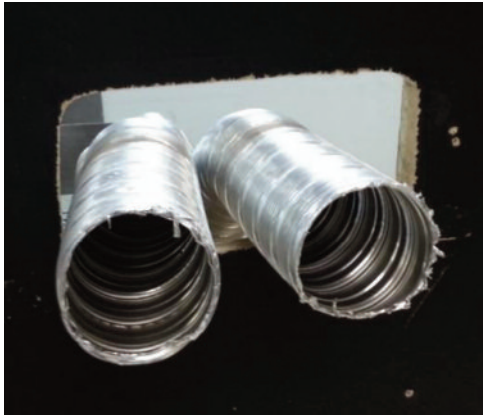
7. Connection to wall terminal

LOOSE FIT CONNECTIONS (Wall termination connections)





## INSTALLATION INSTRUCTIONS (continued)



Locate terminal on wall and predrill mounting holes where required.

Cut flue exhaust tube (hot tube) to length (Flue must extend a minimum of 50mm past the exit face of wall.) It is recommended that the tubes are cut slightly longer and pushed back into wall upon fixing of wall terminal. Allow flue movement between terminal and last flue hanging clip.

Cut Air intake as per flue exhaust.

Ensure ends are burr free and round, test fit flue will slide inside both the hot exhaust connection and air intake connection.



Feed air hot exhaust flue into connection, ensure inserted 50mm. Fit retaining screw from below.



Feed air intake flue into connection, ensure inserted 50mm. Fit retaining screw from below.

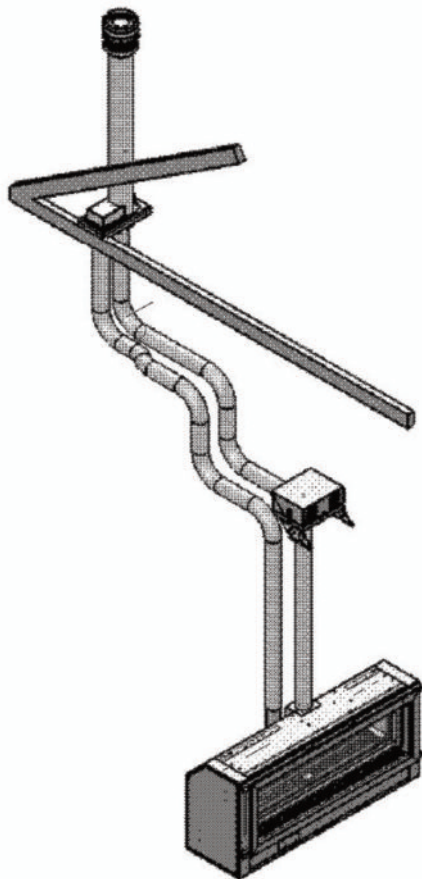


## INSTALLATION INSTRUCTIONS (continued)

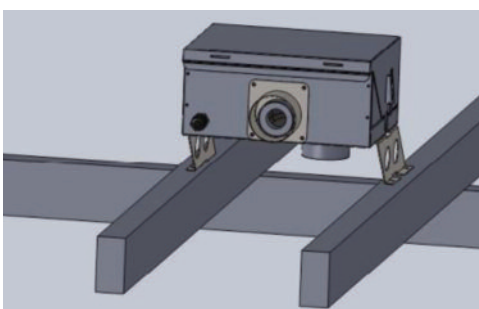
### SETUP WITH INTERNAL FAN MODULE WITH ROOFTOP TERMINATION – MID FLUE MOUNTED

Maximum 5m flue length

Note – fan module can be appliance mounted or mid mounted when finishing with the rooftop termination.



1. Rooftop termination must be installed with clearances as specified by AS5601.1
2. Run exhaust flue and air intake flue as required – Maximum total run 5m per flue. Flues can be run next to each other. Maintain clearances to combustibles.
3. Mount fan controller in the required location. (Access to the fan module is required for servicing, if the fan module is located inside a boxed frame, allow a 450 x 450 access panel).



5. Connection to fan module to appliance



Run flue from appliance to bottom entry on fan module.

Support flue with brackets as required

Cut flue to length to suit connection.

Ensure ends are burr free and round, test fit flue will fit over connection.



Apply an 8mm thick silicon bead fully around heater connection approx. 10mm from the top.



Apply an 8mm silicon bead fully around the inside of the flue end (heater connection end)

Fit flue clamp over flue (loosely).



Slide flue onto connection spigot fully.

Tighten clamp fully.

Wipe excess silicon, visually check connection to ensure connection is fully sealed.



## INSTALLATION INSTRUCTIONS (continued)



Repeat for connection to underside of fan module.



Repeat for Air intake flue connection.



6. Fan module outlet connection  
 Cut tube to length where required.  
 Ensure ends are burr free and round, test fit flue will slide over connection.



Apply an 8mm thick silicon bead fully around heater connection approx. 10mm from the top.  
 Apply an 8mm silicon bead fully around the inside of the flue end (heater connection end)  
 Fit flue clamp over flue (loosely).

## INSTALLATION INSTRUCTIONS (continued)

Slide flue onto connection spigot fully.

Tighten clamp fully.

Wipe excess silicon, visually check connection to ensure connection is fully sealed.

7. Connect power lead to fan module. Ensure lead is clipped to support where required.

Do not use connection to support lead.



8. Connection to rooftop terminal

Prepare roof penetration. Remove cowl from termination if fitted.



Cut rooftop penetration to length if required. Install into roof penetration. Install supports for base of penetration kit.



Connect hot exhaust flue and air intake flue as per below.

Apply an 8mm silicon bead fully around the inside of the flue end.

Fit flue clamp over flue (loosely).

## INSTALLATION INSTRUCTIONS (continued)

Fit flue clamp over flue (loosely).

Slide flue onto connection spigot fully.

Tighten clamp fully.

Wipe excess silicon, visually check connection to ensure connection is fully sealed.

Fit roof sealing method. (Decktite or similar.)

**IMPORTANT** - Apply silicon bead between inner connection of cowl and flue pipe to seal inner flue to cowl. Outer does not require sealing.

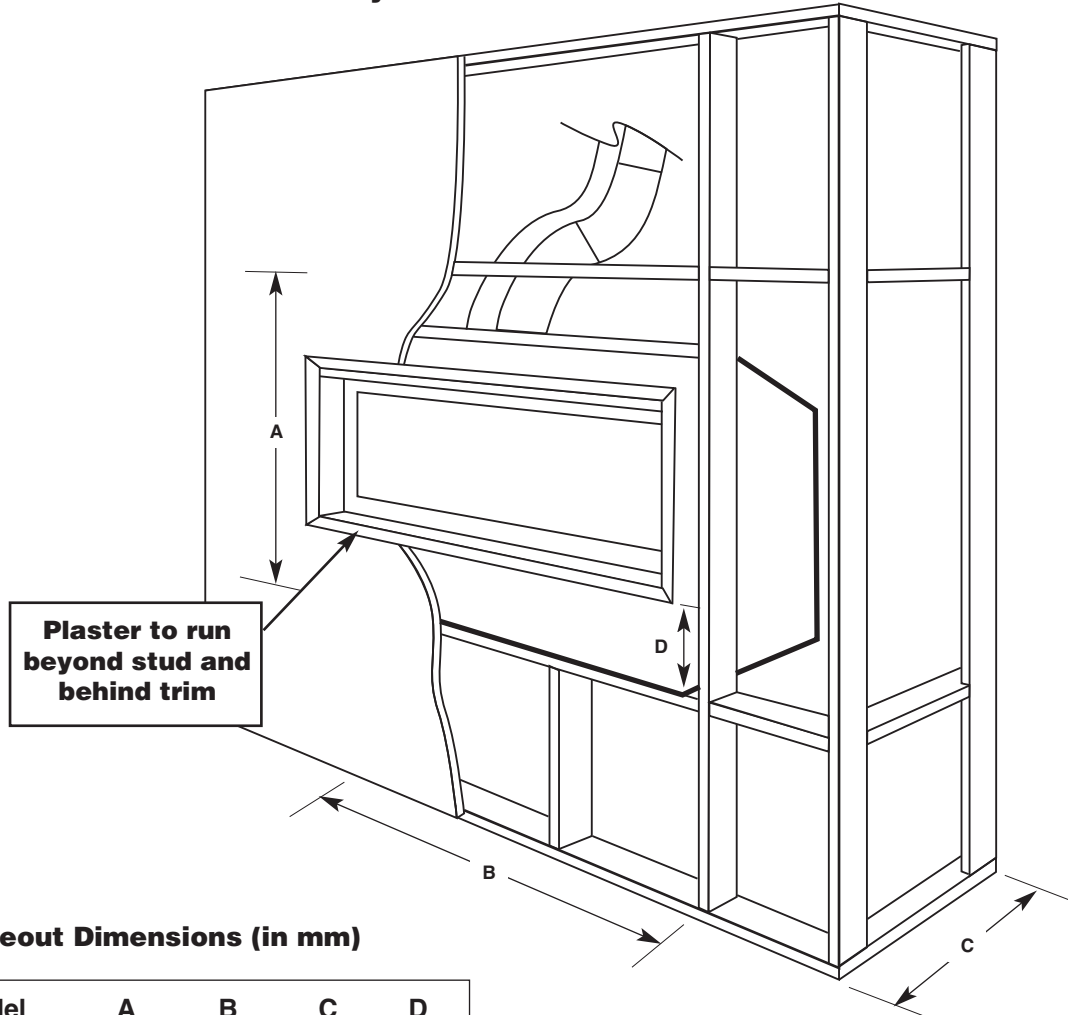
Screw or rivet in 3 places to hold in place.



Ensure flue is supported and clipped where required.

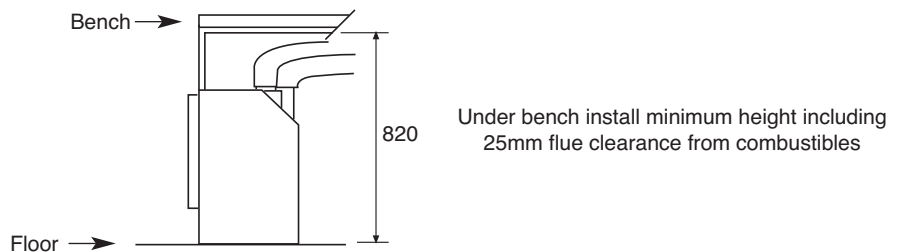
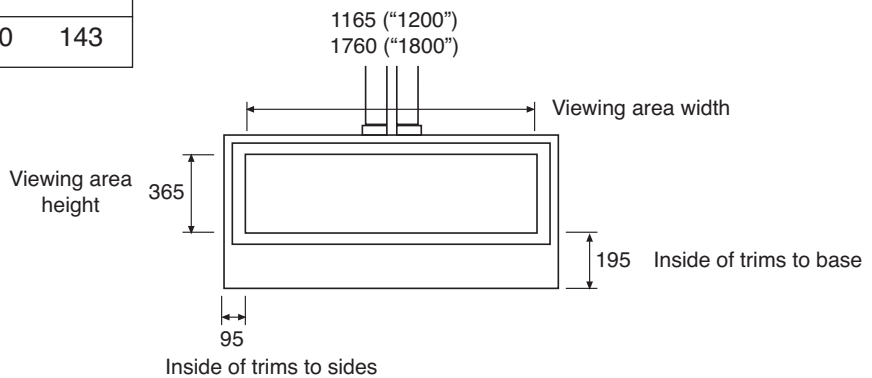
# TIMBER FRAME INSTALLATION

50mm Trim only



Frameout Dimensions (in mm)

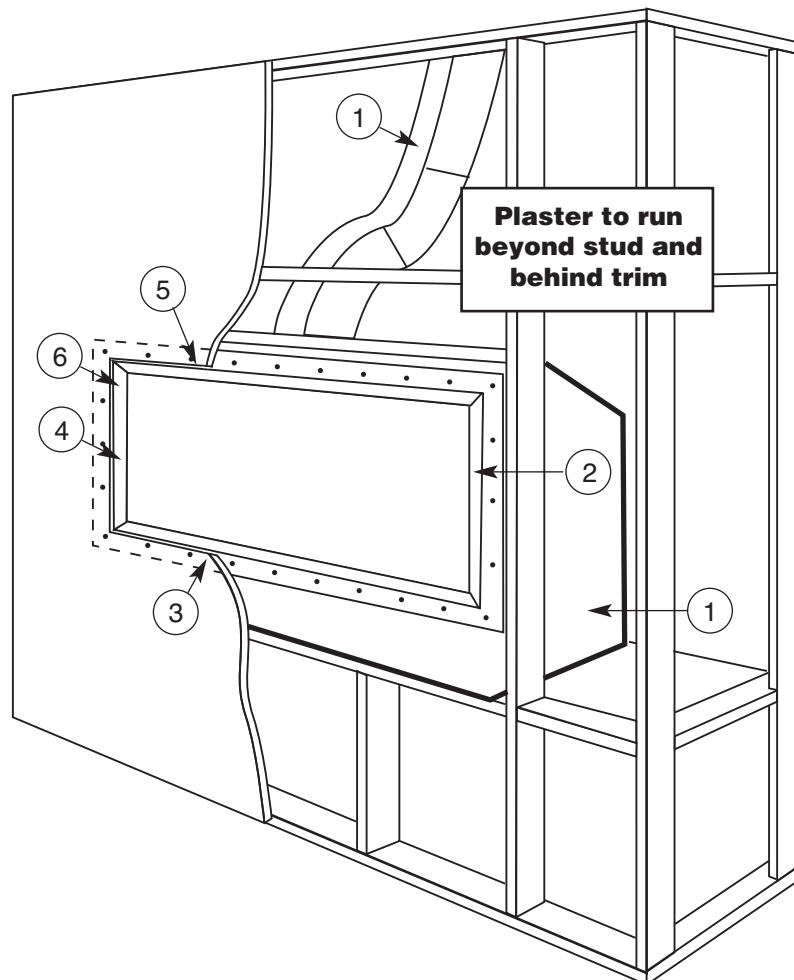
Model	A	B	C	D
1200	660	1420	460	143
1800	660	2020	460	143





## TIMBER FRAME INSTALLATION (continued)

### 18mm Trim



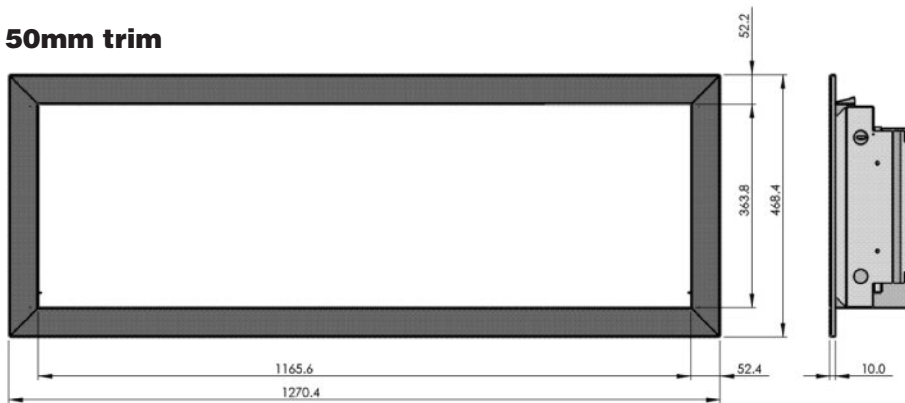
1. Install Element 1200 or 1800 onto base and connect flue, gas and power.
2. Fit 18mm trim frame.
3. Locate 4 sided flange kit.
4. Remove 18mm frame.
5. Clad wall to flange kit and finish.
6. Refit 18mm trim frame.

#### NOTE:

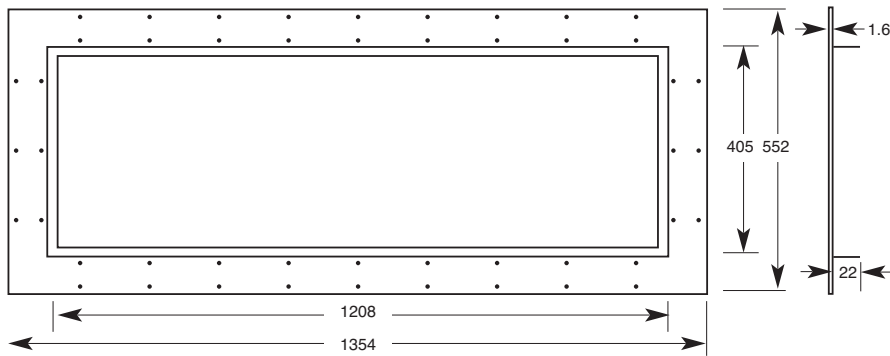
If the wall is being plastered we recommend fixing stopping bead up to the flange to give a clean shadow line. The depth of the flange profile is 22mm to allow for tiling or rendering. If plaster is used we recommend packing out to 22mm.

# TRIMS - 1200

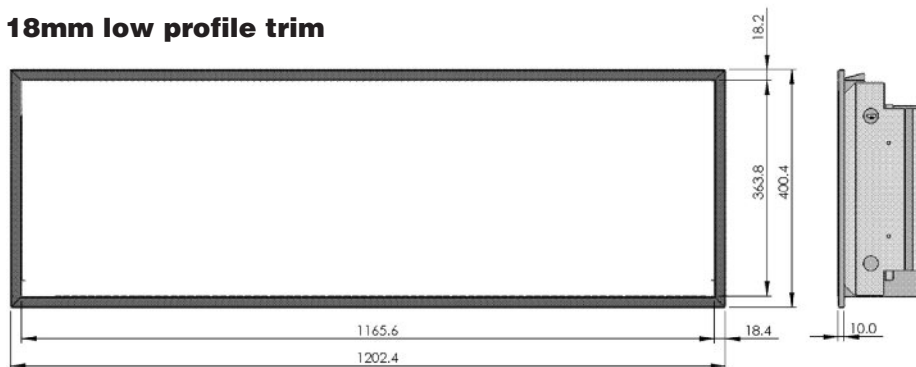
## 50mm trim



## 18mm trim flange kit

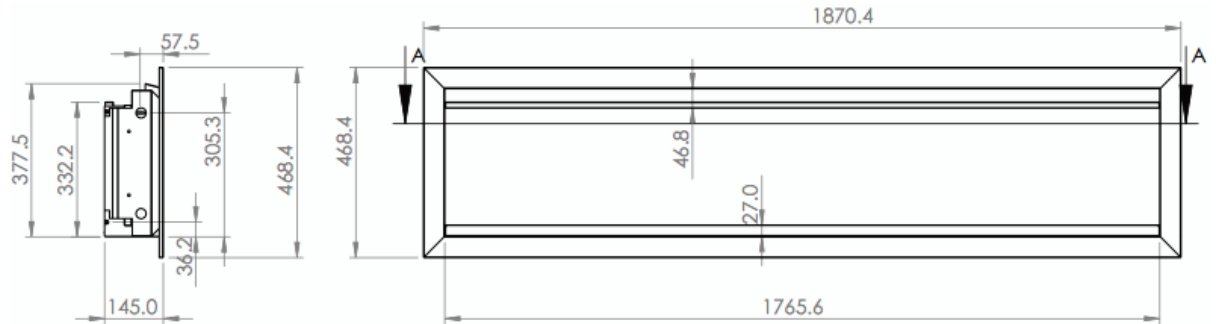


## 18mm low profile trim

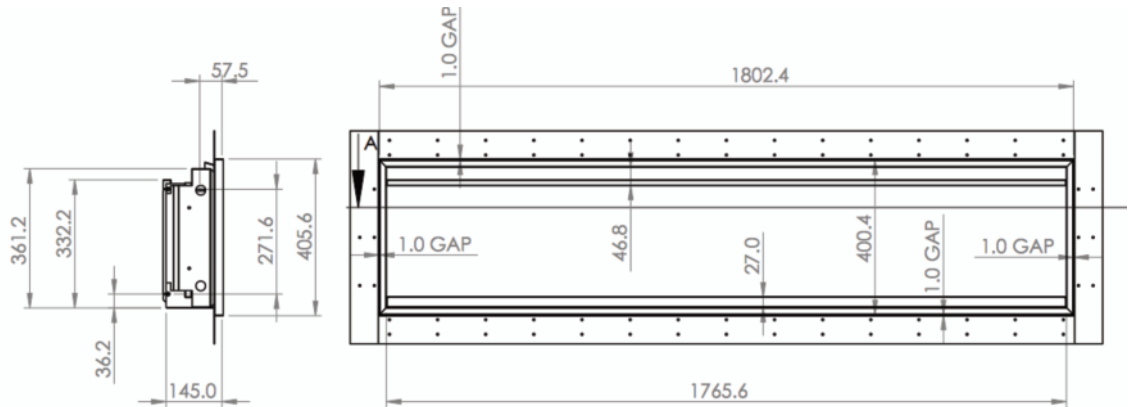


# TRIMS -1800

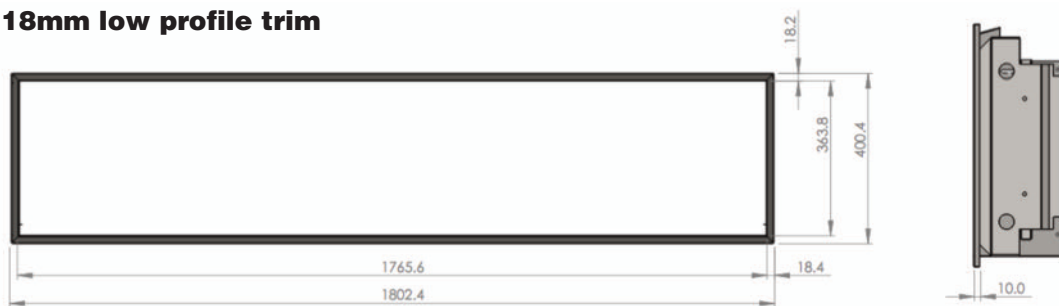
## 50mm trim



## 18mm trim flange kit



## 18mm low profile trim



## COMMISSIONING PROCEDURE

Once the fire is installed:

- Install media.
- Check for gas leaks.
- Connect powerflue module loom to fan control unit.
- Carry out the lighting procedure.
- Check burner pressures and adjust as per Dataplate.
- Fit access cover and trim.
- Handover instructions to owner.
- Instruct owner on how to operate the fireplace safely.
- Instruct owner how to isolate appliance in an emergency.

## MEDIA INSTALLATION

### Driftwood

- Lay driftwood media in a random arrangement along the entire length of the burner.
- Avoid smothering the burner channel.
- Ensure media is not heaped in areas, spread evenly along.
- Do not add extra media, or combine media types.
- Only the approved supplied media is to be used.
- Refer to Real Flame for technical advice regarding media.
- Do not cover pilot area.
- Do not overfill with media above the pilot cover level.
- Ensure the pilot flame is not impinged by media and can cross light the main burner.
- Do not use any other media than as supplied and recommended by the manufacturer.
- Use of other media may result in explosive media which may cause injury or damage.

Typical setup



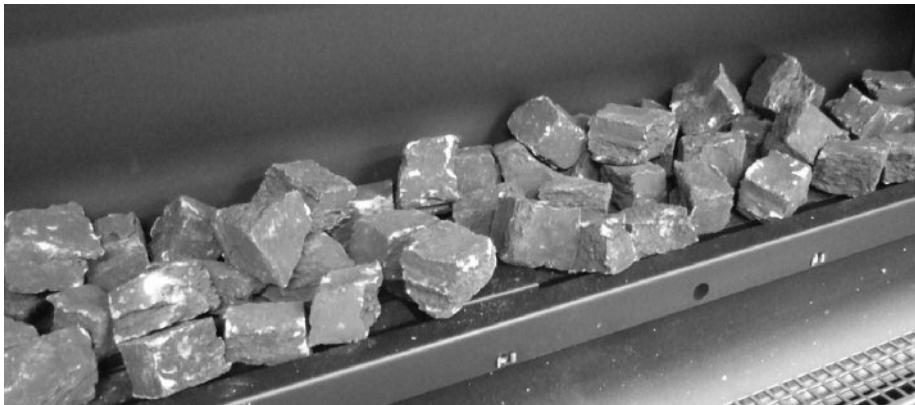
**IMPORTANT - Do not cover or block pilot area.**

## MEDIA INSTALLATION (continued)

### Coals only

- Lay coal media in a random arrangement along the entire length of the burner.
- Avoid smothering the burner channel. Apply coals either side of the flame channel.
- No more than 4 coals should cover the main flame channel.
- Ensure media is not heaped in areas, spread evenly along.
- Do not add extra media, or combine media types.
- Only the approved supplied media is to be used.
- Do not cover pilot area.
- Do not overfill with media above the pilot cover level.
- Ensure the pilot flame is not impinged by media and can cross light the main burner.
- Do not use any other media than as supplied and recommended by the manufacturer.
- Use of other media may result in explosive media which may cause injury or damage.

Typical setup



## MEDIA INSTALLATION (continued)

### Logs and Coals

- Lay coal media in a random arrangement along the entire length of the burner.
- Avoid smothering the burner channel. Apply coals either side of the flame channel.
- Ensure media is not heaped in areas, spread evenly along.
- Randomly place logs between and on top of the coal media in an evenly spread out pattern.
- Do not add extra media, or combine media types.
- Only the approved supplied media is to be used.
- Do not cover pilot area.
- Do not overfill with media above the pilot cover level.
- Ensure the pilot flame is not impinged by media and can cross light the main burner.
- Do not use any other media than as supplied and recommended by the manufacturer.
- Use of other media may result in explosive media which may cause injury or damage.

Typical setup





## MEDIA INSTALLATION (continued)

### Pebbles

- Lay large pebble media in a random arrangement along the entire length of the burner.
- Avoid smothering the burner channel.
- Fill in voids with medium size pebbles.
- Fill in remaining voids with small pebbles.
- Pebbles should appear as a random mix and not be stacked more than 2 high in a few spots.
- Ensure media is not heaped in areas, spread evenly along.
- Do not add extra media, or combine media types.
- Only the approved supplied media is to be used.
- Refer to Real Flame for technical advice regarding media.
- Do not cover pilot area.
- Do not overfill with media above the pilot cover level.
- Ensure the pilot flame is not impinged by media and can cross light the main burner.
- Do not use any other media than as supplied and recommended by the manufacturer.
- Use of other media may result in explosive media which may cause injury or damage.

Typical setup

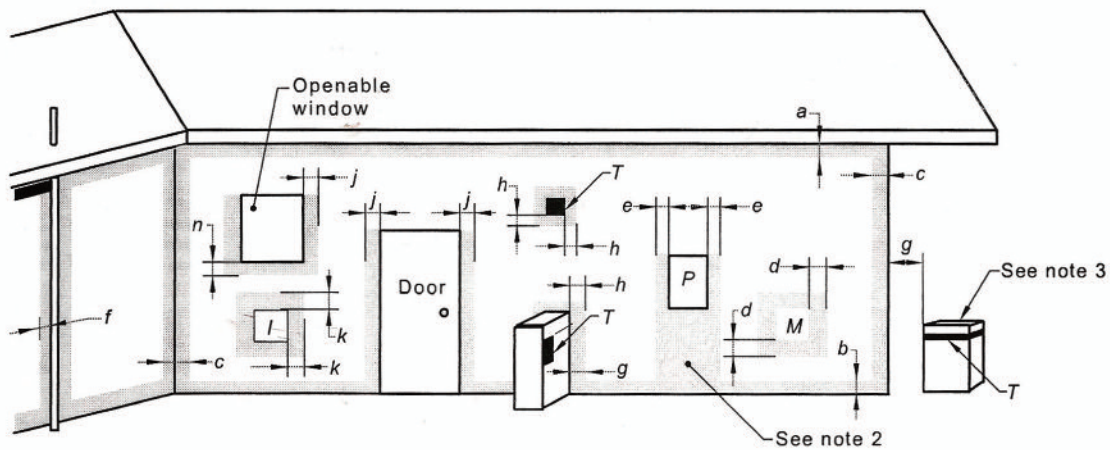


## **OPERATION – USER INSTRUCTIONS**

- Do not operate if you smell gas. Turn appliance off, extinguish any open flame. Contact your installer or a licensed gasfitter.
- Do not use if any part of this appliance has been submerged in water. Contact your installer or a qualified service technician.
- Solid fuels must not be burnt in the fire. Leaves, sticks, wood, paper food or material must be kept away from the fire.
- Appliance operates with luminous flames, carbon deposits may occur during operation.

# ELEMENT 1200 & 1800 FLUE TERMINATION (COWLS)

## Balanced Flue



LEGEND:

- T = Flue terminal
- I = Mechanical air inlet
- M = Gas meter
- P = Electricity meter or fuse box
- Shading indicates prohibited areas for flue terminals

Ref.	Item	Minimum clearances (mm)	
		Natural draft	Fan assisted
a	Below eaves, balconies and other projections:		
	• Appliances up to 50 MJ/h input	300	200
	• Appliances over 50 MJ/h input	500	300
b	From the ground, above a balcony or other surface †	300	300
c	From a return wall or external corner †	500	300
d	From a gas meter (M) (see 4.7.11 for vent terminal location of regulator)	1000	1000
e	From an electricity meter or fuse box (P)	500	500
f	From a drain pipe or soil pipe	150	75
g	Horizontally from any building structure † or obstruction facing a terminal	500	500
h	From any other flue terminal, cowl, or combustion air intake †	500	300
j	Horizontally from an openable window, door, non-mechanical air inlet, or any other opening into a building with the exception of sub-floor ventilation:		
	• Appliances up to 150 MJ/h input	500	300
	• Appliances over 150 MJ/h input up to 200 MJ/h input	1500	300
	• Appliances over 200 MJ/h input up to 250 MJ/h input †	1500	500
	• Appliances over 250 MJ/h input †	1500	1500
	• All fan-assisted flue appliances, in the direction of discharge	-	1500
k	From a mechanical air inlet, including a spa blower	1500	1000
n	Vertically below an openable window, non-mechanical air inlet, or any other opening into a building with the exception of sub-floor ventilation:		
	• Space heaters up to 50 MJ/h input	150	150
	• Other appliances up to 50 MJ/h input	500	500
	• Appliances over 50 MJ/h input and up to 150 MJ/h input	1000	1000
	• Appliances over 150 MJ/h input	1500	1500

† Unless appliance is certified for closer installation

NOTES:

- 1 All distances are measured to the nearest part of the terminal.
- 2 Prohibited area below electricity meter or fuse box extends to ground level.
- 3 See Clause 5.13.6.6 for restrictions on a flue terminal under a covered area.
- 4 See Appendix J, Figures J2(a) and J3(a), for clearances required from a flue terminal to an LP Gas cylinder. A flue terminal is considered to be a source of ignition.
- 5 For appliances not addressed above acceptance should be obtained from the technical regulator

## REMOTE CONTROL OPERATING GUIDE



The Element 1200 & 1800 are controlled completely by the use of the remote control; this remote can be used either as a manual operation or an auto operation.

- The remote thermostat uses radio frequency to transmit to the gas/fan controller.
- The remote thermostat has a LCD display
- The remote thermostat uses 2 off “AA” batteries which should last for 12 months. (Depending on quality of battery.) Batteries should be changed when smoke alarms are changed.
- The remote control and the controller are non-serviceable parts and if faulty should be returned to Real Flame Pty Ltd for replacement.

### Locating the remote

The remote houses the thermostat that controls the heat output of the fire. When storing the remote either on its wall bracket or by placing it somewhere in the room where the fire is located, ensure there are no other heat sources that will affect the thermostats ability to accurately read the room temperature. For example, by placing the remote in direct sunlight or under a cushion, the fire may turn down or off before the room reaches the set temperature.

### Factory Set Features

- When turned on the fire will always start on the low setting and remain on low for 3 minutes, it will then go to the high setting.
- The fan will automatically come on in the high mode after the fire has been operating for 3 minutes 20 seconds.
- When the fire shuts off on auto mode or is shut off in manual mode, the fan will continue to operate for 3 minutes in the “High” mode.
- The fire can be operated in either “Auto” mode or “Manual” mode.

## Quick Start Guide

### On/Off

Press and release the  button to turn the thermostat on and off.

### Setting the day of the week and time

With the thermostat off, press and hold the ‘T’ button for 2 seconds or longer to initiate programming the time. Time, the hour setting and AM/PM will flash.

#### *Setting the hour function*

Press and release the ▲ or ▼ button to increase or decrease the hour setting by 1 hour.

Press ‘OK’ to accept.

#### *Setting the minute function*

Press and release, or press and hold the ▲ or ▼ button to increase or decrease the minute setting by 1 minute.

Press ‘OK’ to accept.

#### *Setting the day of the week function*

Press and release the ▲ or ▼ button to change the day of the week to the following or previous day. Press and hold the ▲ or ▼ button for 2 seconds or longer to increase or decrease the day of the week by 1 day every 0.5 seconds.

Press ‘OK’ to complete setting.

## REMOTE CONTROL OPERATING GUIDE (continued)

### Manual mode

Manual mode does not require that the time and day of the week are set.

Press the ▲ or ▼ button to increase or decrease the temperature desired.

### Automatic mode

The automatic mode allows the temperature to be regulated according to a programmed level and time.

#### *Manually overriding the set program*

At any time, the temperature may be adjusted up or down. However, whenever the thermostat changes to a new time period, the temperature will be set automatically according to that period's setting.

### Programming

Each day of the week can be programmed individually for 4 periods P1, P2, P3 and P4, making a total of 28 programmed periods.

Alternatively, a weekday program can be set, so the same program is used for Monday-Friday. Similarly, a weekend program can be set for Saturday-Sunday. The entire week can also have the same program.

Alternatively, a weekday or weekend program can be set with individual programs for the remaining days.

The suggested period settings for each day/s are:

- Period 1 - morning
- Period 2 - daytime
- Period 3 - evening
- Period 4 - night-time

#### *To begin programming*

With the thermostat off, press and hold the 'P' button for 2 seconds or longer to initiate programming. The LCD will display **PROG**, **Pd** and the time at which the thermostat is currently set. **MO** will flash.

Period 1 can now be set.

- *Setting the day of the week*

You must choose which day/s of the week you wish to program.

Press and release the ▲ or ▼ button to change the day of the week to the following or previous day. Press and hold the ▲ or ▼ button for 2 seconds or longer to increase or decrease the day of the week by 1 day every 0.5 seconds.

The order that you can scroll through the days is as follows:

MO → TU → WE → TH → FR → MO TU WE TH FR → SA → SU → SU SA → MO TU WE TH FR SA SU

To accept the selected day/s of the week press 'OK'.



## REMOTE CONTROL OPERATING GUIDE (continued)

### Programming

- *Setting the period starting time*

The hour and AM/PM settings will now flash. To set the P1 starting time, press and release the ▲ or ▼ button to increase or decrease the hour setting. Press and hold the ▲ or ▼ button for 2 seconds or longer to increase or decrease the hour setting by 1 hour every 0.5 seconds.

Please ensure that AM/PM is set correctly.

Press 'OK' to accept.

The minute setting will now flash. Adjust the minute setting similarly, using ▲ or ▼ button

Press 'OK' to accept.

- *Setting the temperature*

The temperature setting will now flash. Press and release the ▲ or ▼ button to increase or decrease the temperature setting by 1 °C. Press and hold the ▲ or ▼ button for 2 seconds or longer to increase or decrease the temperature setting by 1°C every 0.5 seconds.

Press 'OK' to accept.

Period 1 is now set for the day/s of the week that you have chosen. The LCD will display **P2** to indicate that Period 2 can now be set for the same day/s of the week.

Repeat the programming process for periods 3 and 4.

After program 4 is set, press 'OK' and the program for the selected day/s will be set.

Repeat the programming process for any other periods/days that are required.

### Restore factory default settings

With the thermostat off, press the following sequence of buttons: 'P', 'T', 'T' ▼.

### Teaching RF thermostat ID code to control unit

**CAUTION: The thermostat has already been programmed with a unique code. Do not attempt to teach the RF Thermostat ID code unless instructed by the manufacturer.**

With the thermostat off, press the following sequence of buttons: 'P', 'T', 'T' ▲.

The LCD display will show 'CL' (Code Learn) for 2 seconds then return to the normal OFF state display. During this time a special code will be transmitted by the RF Thermostat to the Control Unit, causing the Control Unit to learn its ID.

### WARNING

When the RF thermostat is in the "Auto" mode and the room temperature drops below the minimum temperature, the fire and fan will come on and operate until the room temperature is 3° above the minimum and then turn off, therefore:

- The minimum temperature should be set at a temperature that is not likely to cause the fire to continually turn on and off.
- If leaving the house for an extended period, the RF thermostat should be turned "OFF".
- As long as the RF thermostat is in the "Auto" mode and the temperature goes below the minimum set temperature, the fire will come on no matter what times are programmed into the thermostat.
- If you are unsure of the operation of the RF thermostat, please contact the manufacturer.
- In the event of loss of power, the appliance will shut down safely. The appliance may automatically resume operation once power is restored, pending the operation mode of the remote control.

# WIFI DEVICE CONTROL INSTRUCTIONS

Wifi control is available on the Element space heater.

Wifi control offers a temperature feature which can be used in conjunction with the supplied remote control or as the independent control.

Multiple devices can control the appliance. The appliance will operate based on its last received command.

Note 1 – Multiple devices may be connected to the appliance, only one appliance can be controlled by a device at a time.

Note 2 – The room air temperature sensing device is located in the remote, accuracy of the temperature sensing may be effected by the room layout, appliance installation and nearby furniture.

Note: The programming function is only done via the remote control.

## Introduction

These pages outline the Operation of the Real Flame MKII Thermostat system. The System Includes

1. Real Flame Modulating Valve MKII update
2. Real Flame WiFi Interface MKII
3. Real Flame Thermostat MKII App
4. Real Flame MKII Web Service

These instructions assume that the Modulating valve has been installed into a fireplace with the WiFi module connected.

## WiFi Set-up

From Factory settings the Fireplace will broadcast an Access Point for the Mobile App to join with, the Access point names have the following format,

Realflame\_XXXXXX

Where 'XXXXXX' is the last six digits of the WiFi modules MAC addresses, the Access point is secured with the default password 'Realflame'

Joining the access point in this mode will allow you to,

1. Control the Fireplace via its own WiFi Access point, and is good for Demo and testing functionality
2. Push the Fireplace to a local or home network, this allows you to control the Fireplace whilst also being able to use your local network resource such as Internet, email and Facebook.
1. This mode is required to utilise the Server control features of the Fireplace.

# WIFI DEVICE CONTROL INSTRUCTIONS (continued)

## Step by Step – Pushing the Fireplace to a local network

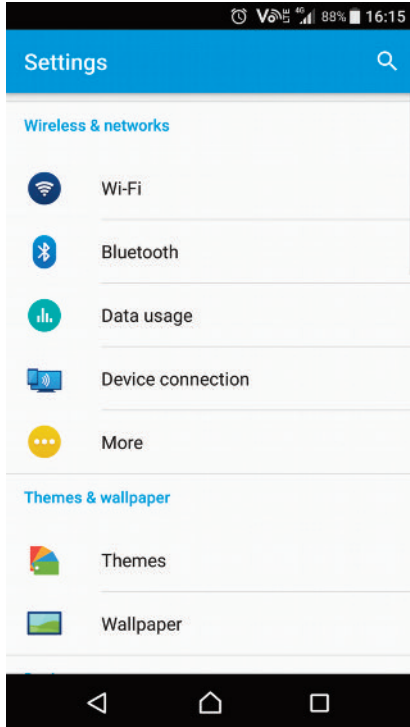


Illustration 1: Open up the settings Screen and select the Wi-Fi option

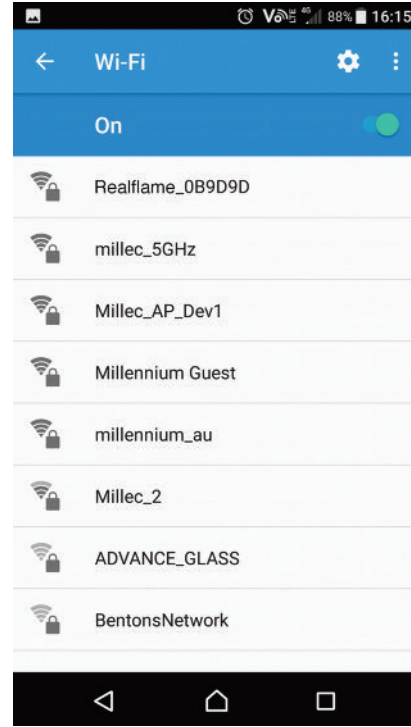


Illustration 2: Select the Access point for your Fireplace

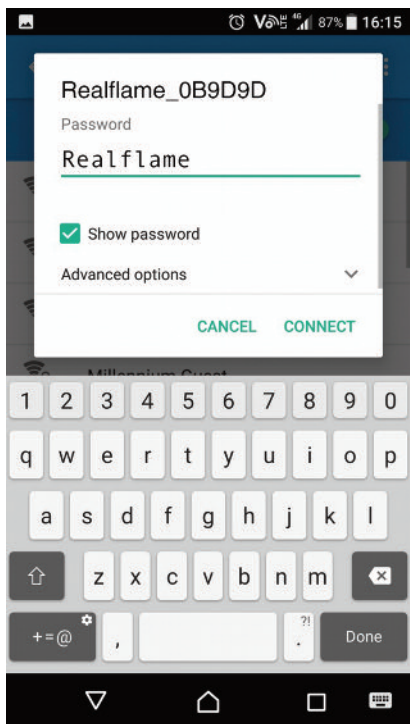


Illustration 3: Enter the default password for your Fireplace AP

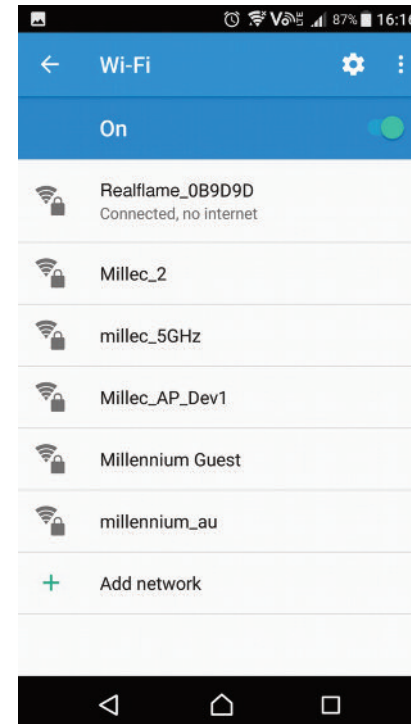


Illustration 4: Check the connection status for the Fireplace

# WIFI DEVICE CONTROL INSTRUCTIONS (continued)

## Step by Step – Pushing the Fireplace to a local network

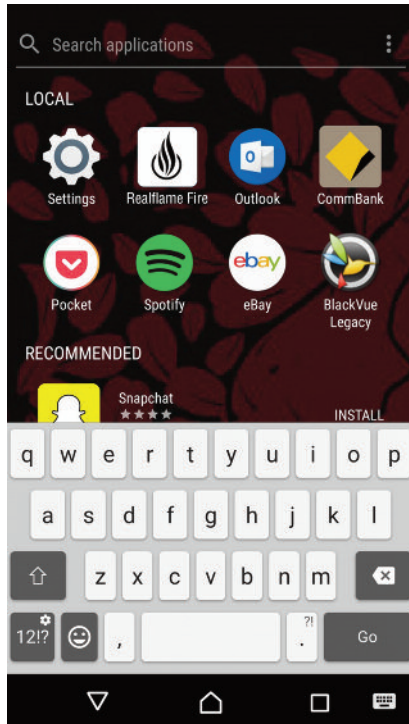


Illustration 5: Open the Fireplace App

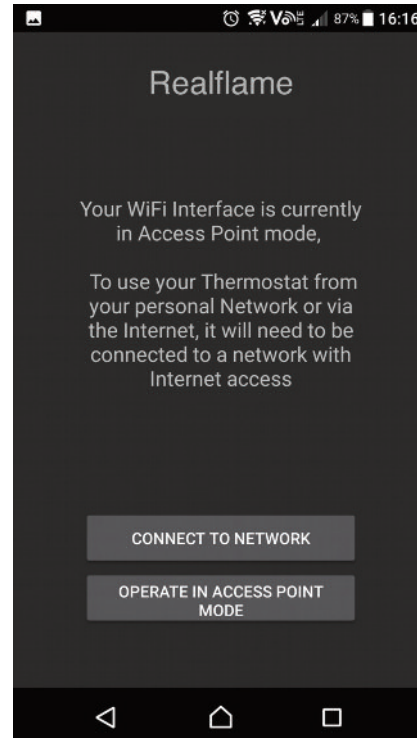


Illustration 6: When prompted, select 'Connect to Network'

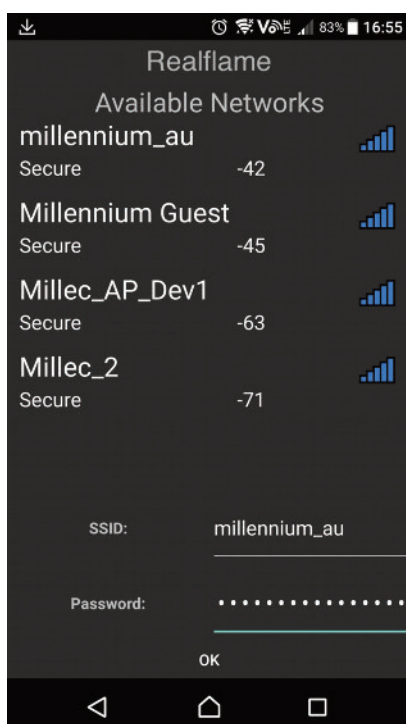


Illustration 7: Select the Network you want to use

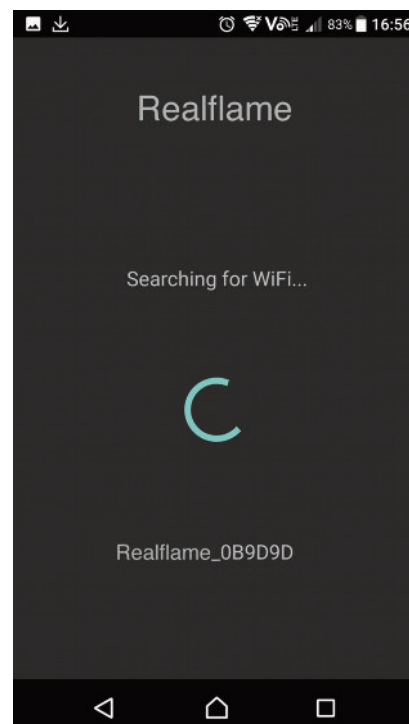
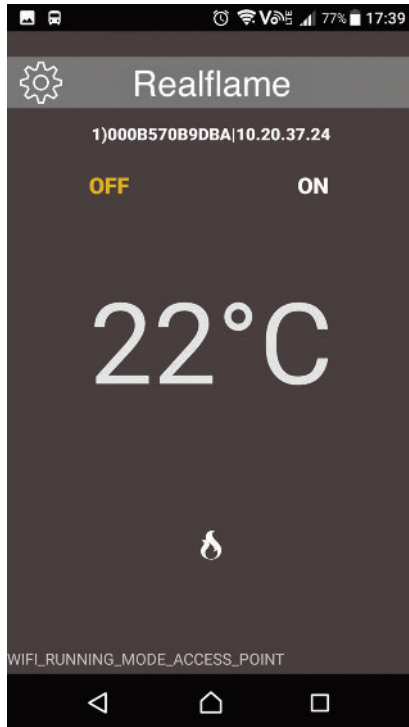


Illustration 8: The App will start to search for the device on the network

## WIFI DEVICE CONTROL INSTRUCTIONS (continued)

### Step by Step – Pushing the Fireplace to a local network



*Illustration 9: You can now control your Fireplace from the network you are connected to.*

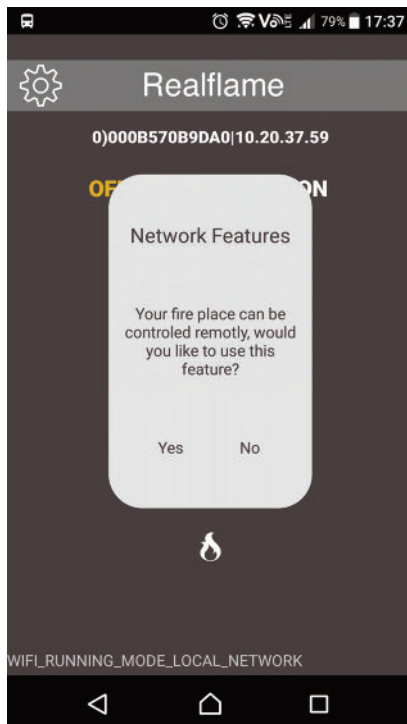


# WIFI DEVICE CONTROL INSTRUCTIONS (continued)

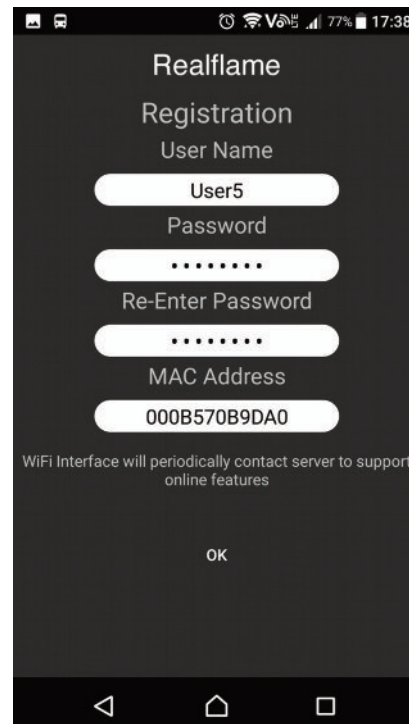
## Internet Control

If your model supports Internet control, upon using the App after being pushed to a local or home network with internet, the application will prompt you to set up the network features.

### Set-up



*Selecting Yes will take you to the sign up screen*

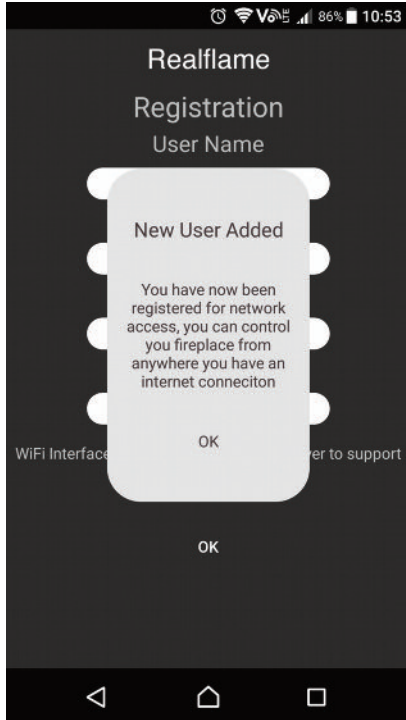


*Registration requires:*

- A user name
- Password
- - Details of the connecting device; these will be pre-filled for you

# WIFI DEVICE CONTROL INSTRUCTIONS (continued)

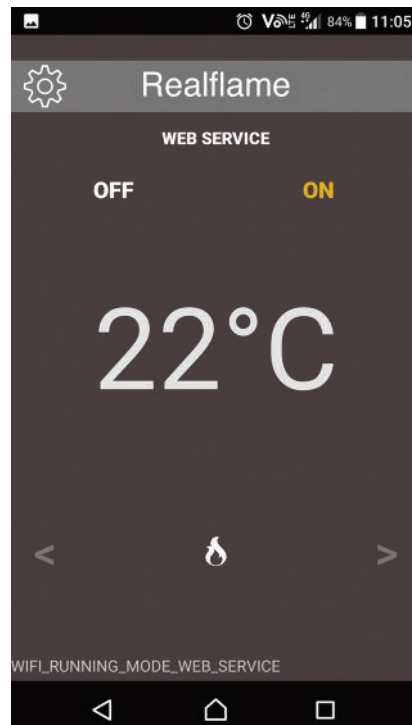
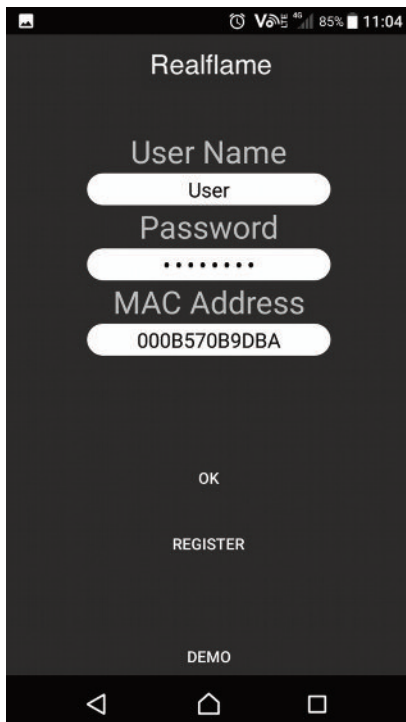
## Step by Step – Pushing the Fireplace to a local network



*User Added Successfully, your Fireplace is now linked to your account, you can control your Fireplace by logging into the application when prompted*

### Operation

When on another network or using your Mobile data, launching the App will present you with the log in screen.



*Illustration 10: Enter Your Details to access the web control*

*Illustration 11: After a successful login, you will have control of you Fireplace*

## WIFI DEVICE CONTROL INSTRUCTIONS (continued)

### **Pushing the Fireplace to a different home or local network after initial install**

Pushing the Fireplace to a different home or local network after it has previously been set up, is done at Fireplace power on, when the fireplace is powered off at the Main switch, upon being powered on, the Fireplace will show its Access point (Realflame\_XXXXXX) for 30 seconds.

If you join the access point with your mobile device, you will be able to change the network the Fireplace is currently connected with via the mobile App.

If you do not join the Access point the Fireplace will join the network that it has settings saved for or if there are no settings, it will stay in Access Point mode.

**Note:** If you join the access point by accident on power on, you can simply power off the Fireplace and power on again, after the 30 seconds the Fireplace will join the network with its saved settings

**Note:** If not connected to wifi you can still control the fire via 4G or 5G network.

**AUTO MODE - Only available via the remote.**

## TROUBLESHOOTING

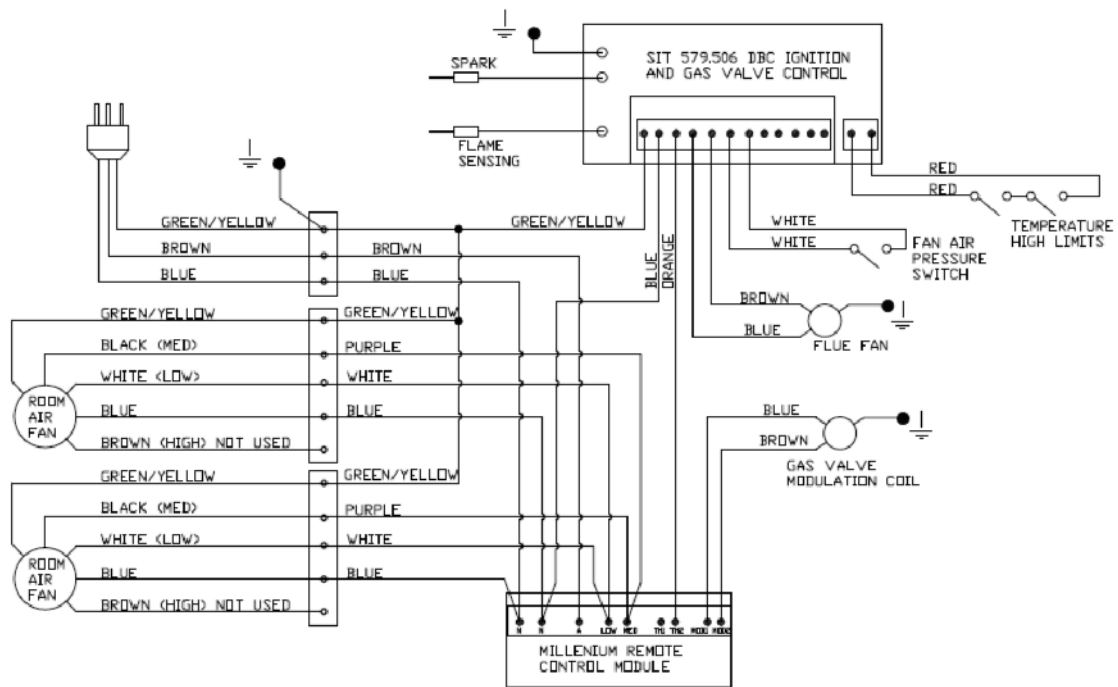
<b>Problem</b>	<b>Possible Cause</b>	<b>Suggested Remedy</b>
<b>When the remote is activated nothing happens</b>	The remote is not talking to the receiver.	Reprogramme the remote to the receiver (Refer Millennium manual in installation manual).
	The remote batteries are flat.	Replace the batteries.
<b>The fire cuts off and won't relight</b>	The over temp snap disc has been activated.	Allow the fire to cool down and then try to relight the fire. If the fire fails to relight, contact the manufacturer.
<b>The fan will not come on</b>	Possible caused by overheat or electrical fault.	Contact the manufacturer.
<b>Flame appears to be low</b>	Pressure not set.	All pressures are set in the factory at the time of manufacture, however the installing plumber mus make sure the pressures are correct.

**IF YOUR FIREPLACE STILL DOES NOT OPERATE CORRECTLY CONSULT YOUR DEALER.**

**ALL SERVICE AND REPAIRS SHOULD BE PERFORMED BY AN AUTHORISED AGENCY.**

**ALL SPARE PARTS AND OPTIONAL TRIM FINISHES ARE AVAILABLE FROM REAL FLAME PTY LTD.**

# WIRING DIAGRAM





# CONVERSION INSTRUCTIONS

**Natural gas / Propane / ULPG.**



## TOOLS

- 10mm spanner
- 15mm spanner
- 16mm Spanner (recommended) or small/medium shifter
- No2 Phillip head screwdriver
- Allen key 2.5mmAF



## BURNER

- 1/ Turn appliance and allow to cool.
- 2/ Turn off gas to appliance
- 3/ Turn off and isolate appliance from electrical supply
- 4/ Remove trim screws (2 off)



- 5/ Remove trim (Slides out)

## CONVERSION INSTRUCTIONS (continued)



6/ Remove lower access panel.



7/ Remove door screws (10 off)



8/ Lift off door (Ensure door is cool before attempting)

9/ Remove media where fitted.



10/ Remove end cover plate screw and lift out end plate. (LH and RH end)

## CONVERSION INSTRUCTIONS (continued)



11/ Remove burner fixing screws ( 2 off at ends of burner).



12/ Lift burner up and gently support.



13/ Undo gas connection pipe at end of burner. (15mm and 16mm spanner required)

## CONVERSION INSTRUCTIONS (continued)



- 14/ Lift burner out gently. Avoid marking back wall. Keep burner in the flat position until insulation is restrained (Rotating the burner may cause insulation to fall and be damaged).



### 15/ RECOMMENDED STEP

To avoid damage to the insulation apply low tack tape to the burner to restrain the insulation into position. Avoid pressing the tape onto the media. The insulation media may easily crack if the appliance have been operated for several hours.

The media may be carefully lifted out and placed flat to store until refitting.

The media can be repainted using an approved high temperature paint, contact Real Flame for details.

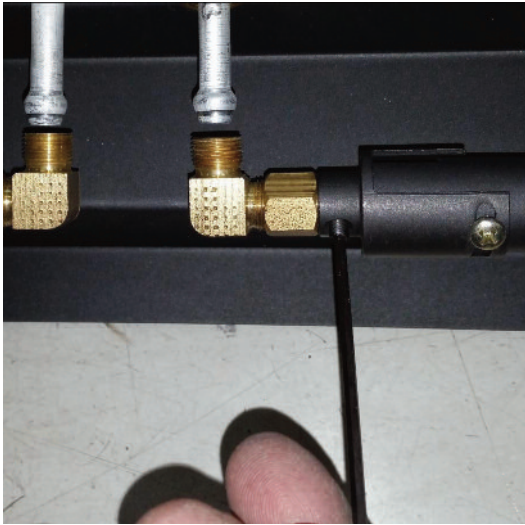
### 16/ Turn burner over gently. AVOIDING DAMAGING THE INSULATION



- 17/ Loosen gas pipe nuts form injectors and move gas pipe away. Note – 15mm spanner required for the nuts, a shifter or spanner should be used to support the brass injector assembly.



# CONVERSION INSTRUCTIONS (continued)



18/ Undo grub screw (Allen key 2.5mm AF). Injector assembly can now be removed.



19/ Remove all injector assemblies. Unscrew injector and replace with correct gas type.



20/ Loosen aeration cap screw approx. 1/2 turn. Rotate cap until the correct gap is achieved to suit the gas type. The listed opening is required on each side of the aeration cap. (A ruler or similar can be used to check the opening, a drill bit of the designated size can also be inserted to check the opening) Tighten screw to retain aeration cap setting

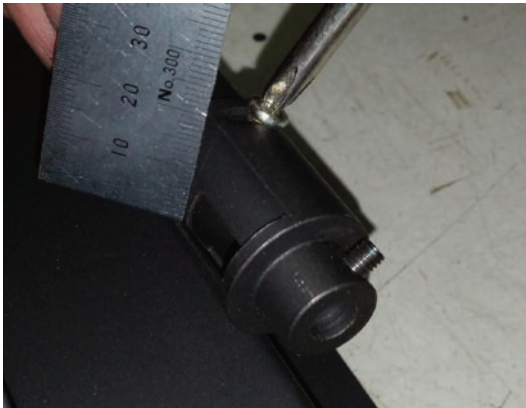


### Aeration Settings

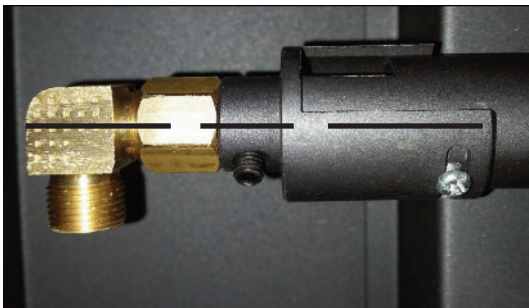
NAT GAS	LPG	ULPG
5.0mm open	10.0mm open	Full open



## CONVERSION INSTRUCTIONS (continued)

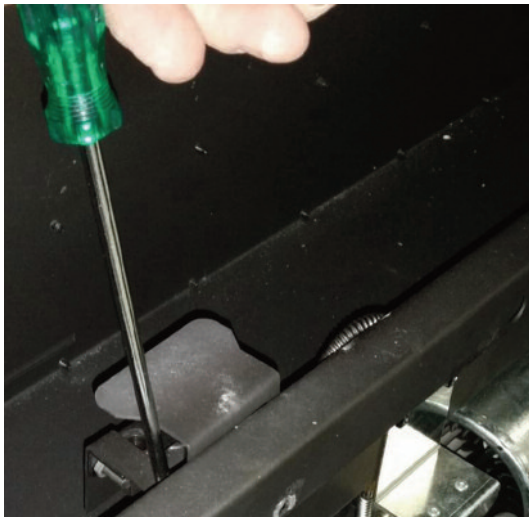


- 21/ Refit injector assembly into aeration cap.
- 22/ Refit gas pipe and tighten nuts.
- 23/ Ensure injector assembly is sitting firmly into aeration cap and tighten grub screw.  
NOTE – ENSURE INJECTOR ASSEMBLY IS AIMING CENTRALLY INTO THE AERATION CAP AND TUBE  
Correct where required.



- 24/ Rotate burner to check insulation is correctly located.  
The burner consists of two types of insulation. In the event the lower insulation (white glass wool blanket) has moved push firmly down and ensure blanket fills all gaps and corners of the burner.
- 25/ Sit 12mm hard insulation back into burner. Hard insulation should sit loosely onto the top of soft insulation approximately level with the burner. Where required adjust the soft insulation to ensure sitting correctly. TAKE CARE – where the burner has been previously used the hard insulation is easily cracked.  
The insulation media can be repainted using an approved high temperature paint, contact Real Flame for details.

## CONVERSION INSTRUCTIONS (continued)



### PILOT

- 1/ Remove pilot bracket holding screw.

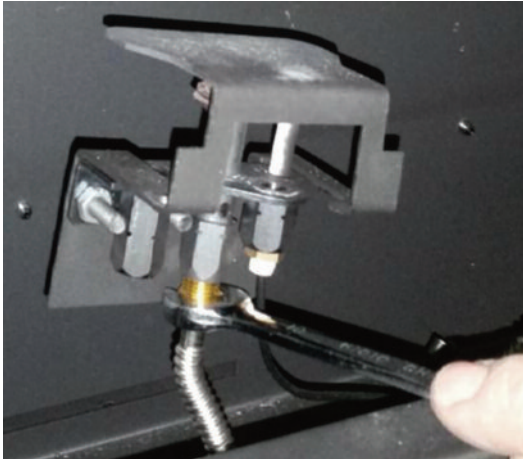


- 2/ Gently lift pilot assembly up to enable access to pipe fittings.

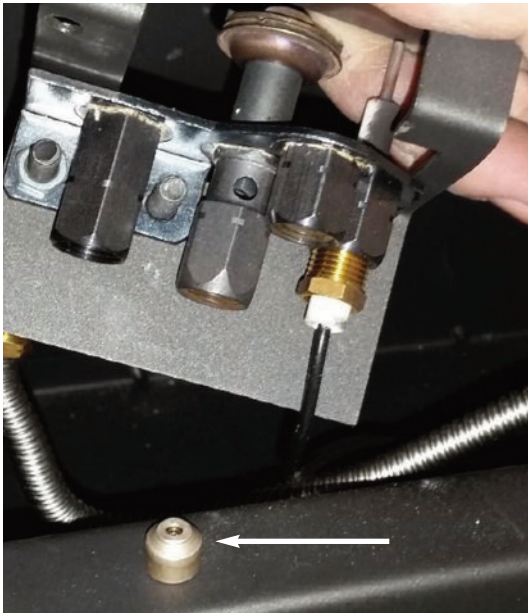


- 3/ Remove spark lead
- 4/ Remove spark probe (10mm spanner required)

## CONVERSION INSTRUCTIONS (continued)



- 5/ Remove pilot pipe fitting from pilot assembly.



- 6/ Remove pilot orifice from pilot or replace whole pilot assembly with correct gas type.



### PILOT REFITMENT

- 1/ Replace pilot orifice with correct gas type.
- 2/ Refit pilot gas pipe and tighten
- 3/ Refit spark probe and gently tighten
- 4/ Refit spark lead
- 5/ Push pilot assembly down to original position and refit the bracket retaining screw.

## CONVERSION INSTRUCTIONS (continued)



- 6/ Check all wires are sitting correctly, flush to front wall. Ensure spark lead is not broken or excessively bent. Ensure lead hole is still sealed. (High temperature silicon is suitable for resealing.)



### **BURNER REFITMENT**

- 1/ Carefully place burner into firebox, supporting LH end of the burner.
- 2/ Tighten gas pipe connection to the end of the burner. Burner can now be lowered fully into the firebox.
- 3/ Refit burner retaining screws (2 off)
- 4/ Refit End cover plates and refit holding screws. (Screws only need to be done finger tight)
- 5/ Replace media as per media fitment instructions.
- 6/ Refit door. Check door seal is sitting correctly. Hang door onto firebox. Fit screw and lift door slightly to locate.  
10 x screws to be refitted  
**DO NOT OVERTIGHTEN SCREWS – Hand tight is sufficient for door to seal.**



## CONVERSION INSTRUCTIONS (continued)



- 7/ Fit manometer to appliance.
- 8/ Start appliance and check for gas leaks in lower area and in firebox.
- 9/ Adjust high and low burner pressures to the dataplate. (The appliance must operate for 3minutes before high pressure setting can be obtained).



Burner  
pressure  
test point

Max  
pressure  
adjustment  
nut

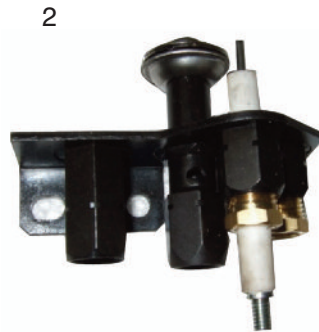
Min  
pressure  
adjustment  
screw

- 10/ Check appliance for correct flame operation, Check pilot flame, Check main burner is not smothered and flames are even along burner with correct colour and not excessively yellow or sooty. (Note it takes upto 10minutes of operation for the flame to achieve full colour.)
- 11/ Remove manometer and tighten test point. Check test point for gas leaks.
- 12/ Turn appliance off.
- 13/ Refit lower access panel.
- 14/ Refit trim.
- 15/ Refit trim retaining screws (2 off) Screws locate into 2 off prethreaded holes in the appliance casing.



# PARTS LIST

1	Valve
2	SIT Pilot assembly Natural gas SIT Pilot assembly Propane
3	Injector Natural gas Injector LPG - ULPG
4	Millennium receiver (Element)
5	Millennium remote control (Element)
6	Sit Ignition pack / gas control











---

[www.realflame.com.au](http://www.realflame.com.au)

1300 554 155