



ESTABLISHED 1969
ABN 43 003 209 961

Kemlan Industries Pty Ltd

Head Office: 59 Pineapple Street (PO Box 259) Zillmere Queensland 4034

Telephone: (07) 3263 8488 Facsimile: (07) 3263 6452 www.kemlan.com

Business hours: Monday to Thursday 7:30am-4:00pm • Friday 7:30am-2:00pm

Email: kemlansales@swiftsl.com.au

KEMLAN C24 Mk II

FREESTANDING WOOD HEATING APPLIANCE

INSTALLATION, OPERATING AND MAINTENANCE MANUAL

SAVE THESE INSTRUCTIONS

**PARTICULATE EMISSIONS POWER OUTPUT AND EFFICIENCY TESTING OF
THE KEMLAN C24
FREE STANDING SOLID FUEL APPLIANCE**

Report

The Kemlan C24 solid fuel appliance was tested for particulate emissions power output and efficiency according to the requirements of the joint Australian/New Zealand Standard AS/NZS 4012/4013 (1999).


The appliance particulate emissions factor was 1.4g/kg of hardwood, and the combined efficiency of the appliance for all burn rates was 68%.

The Kemlan C24 solid fuel appliance complies with the requirements of AS/NZS 4012/4013 (1999).

Investigation: S. Marland

Report: S. Marland

Checked by: J. Kaiser

Signed: 
S. Marland
Technical Officer

Approved: 
B Ham
Manager Gippsland

**THERMAL CLEARANCE TESTING OF THE
KEMLAN C24 SOLID FUEL
APPLIANCE TESTED WITH A KEMLAN DOUBLE FLUE KIT**

Report

The appliance and flue system were installed into a standard Clearance Test enclosure and tested in two positions in a manner conforming to joint Australian/New Zealand Standard 2918:2001, Appendix B. A minimum 810mm deep x 850mm wide x 6.0mm thick floor protector (cement fibre sheet) should be used under and in front of the appliance base when installing the appliance (see joint AS/NZS 2918:2001 3.3.2). The floor protector should extend 350mm in front of the appliance base. The Thermal conductivity of the floor protector is 0.8 m².K/W for 4mm sheets.

A 900mm x 130 degree stainless rear flue shield must also be installed directly behind the active flue.

The Kemlan C24 solid fuel appliance, when installed with a Kemlan Double flue system, conforms to the requirements of joint AS/NZS 2918:2001, Appendix B, with respect to rear wall, side wall, floor and ceiling surface temperatures, when tested in the positions described in this report and using *Pinus radiata* firewood as the fuel type.

TEST POSITIONS

The appliance and flue combinations were tested at the following clearances:

Position A (Parallel)

150mm from rear wall to the edge of the appliance rear panel.
450mm from side wall to the edge of the appliance side panel.

Position B (Corner)

225mm from walls when measured from the rear corners of the appliance (45° to both walls).

Refer to Appendix 1 of this report for clearance diagrams.

Investigation: J. Kaiser & S. Marland

Report: S. Marland

Checked by: J. Kaiser

Signed:  Approved: 

S. Marland

Technical Officer

B. Ham

Manager, Gippsland



E S T A B L I S H E D 1 9 6 9

ABN 43 003 209 961

Head Office: 59 Pineapple Street (PO Box 259) Zillmere Queensland 4034
 Telephone: (07) 3263 8488 Facsimile: (07) 3263 6452 www.kemlan.com

Business hours: Monday to Thursday 7.30am-4.00pm • Friday 7.30am-2.00pm

INSTALLATION INSTRUCTIONS

WARNING: THE APPLIANCE AND FLUE SYSTEM SHALL BE INSTALLED IN ACCORDANCE WITH AS 2918 AND THE APPROPRIATE REQUIREMENTS OF THE LOCAL BUILDING REGULATORY AUTHORITY.

KEMLAN STRONGLY RECOMMENDS YOU ENGAGE A QUALIFIED INSTALLER TO CARRY OUT THE INSTALLATION.

NOTIFY YOUR INSURANCE COMPANY OF YOUR INTENTION TO INSTALL A WOOD HEATING APPLIANCE IN YOUR HOME.

CAUTION: MIXING OF THE APPLIANCE OF FLUE SYSTEM COMPONENTS FROM DIFFERENT SOURCES OR MODIFYING THE DIMENSIONAL SPECIFICATION OF COMPONENTS MAY RESULT IN HAZARDOUS CONDITIONS. WHERE SUCH ACTION IS CONSIDERED, THE MANUFACTURER SHOULD BE CONSULTED IN THE FIRST INSTANCE.

CAUTION: CRACKED AND BROKEN COMPONENTS eg. GLASS PANELS OR FIRE BRICKS MAY RENDER THE INSTALLATION UNSAFE.

THIS APPLIANCE SHOULD NOT BE MODIFIED IN ANY WAY WITHOUT THE WRITTEN APPROVAL OF THE MANUFACTURER AND IT IS RECOMMENDED THE FLUE SYSTEM AND UNIT BE INSTALLED BY A QUALIFIED INSTALLER.

THE PARTS AND MATERIALS REQUIRED FOR THE INSTALLATION OF THIS APPLIANCE ARE –

1. A suitable floor protector is required if the appliance is being installed on a heat sensitive floor. Floor protector specifications –

Thickness to be a minimum of 6mm thick fibre cement sheet (CSR 6mm ceramic tile underlay or equivalent). A heat resistant material (tiles, slate, granite, marble or metal) shall be placed on top of the fibre cement sheet to finish.

Note: Material with a thermal conductivity of equal to or less than 0.41 W/m degree K may be substituted for 6mm fibre cement sheet.

Minimum size requirements -

Standard Installation: 980 mm x 900 mm

Corner Installation: 1200 mm x 1200 mm with a 500mm front edge

2. Your Kemlan wood heating appliance. (Refer to page 3 for clearances to heat sensitive material).
3. A Kemlan flue system (refer to pages 4 & 5) or a flue system which complies with AS2918.
4. A heat shield 900mm long must be placed over or fitted to the first length of flue for protection of heat sensitive material on or behind the wall.
5. A suitable roof flashing – refer to your local Kemlan retail outlet for details.



E S T A B L I S H E D 1 9 6 9
 ABN 43 003 209 961

Head Office: 59 Pineapple Street (PO Box 259) Zillmere Queensland 4034
 Telephone: (07) 3263 8488 Facsimile: (07) 3263 6452 www.kemlan.com

Business hours: Monday to Thursday 7.30am-4.00pm • Friday 7.30am-2.00pm

6. **Flue height** – Except where a flue pipe terminates within a chimney, the flue exit shall be located outside the building in which the appliance is installed so that –
 - (a) it is at a level not less than 1000mm above the level at which the axis of the flue pipe penetrates or passes the roof of the building;
 - (b) no part of the building lies in or above a circular area described by a horizontal radius of 3m about the flue exit;
 - (c) termination of the flue does not constitute a risk of fire to nearby heat-sensitive materials, and
 - (d) there is no risk of penetration of flue gases through nearby windows or other openings, fresh air inlets, mechanical ventilation inlets or exhausts, or the like.

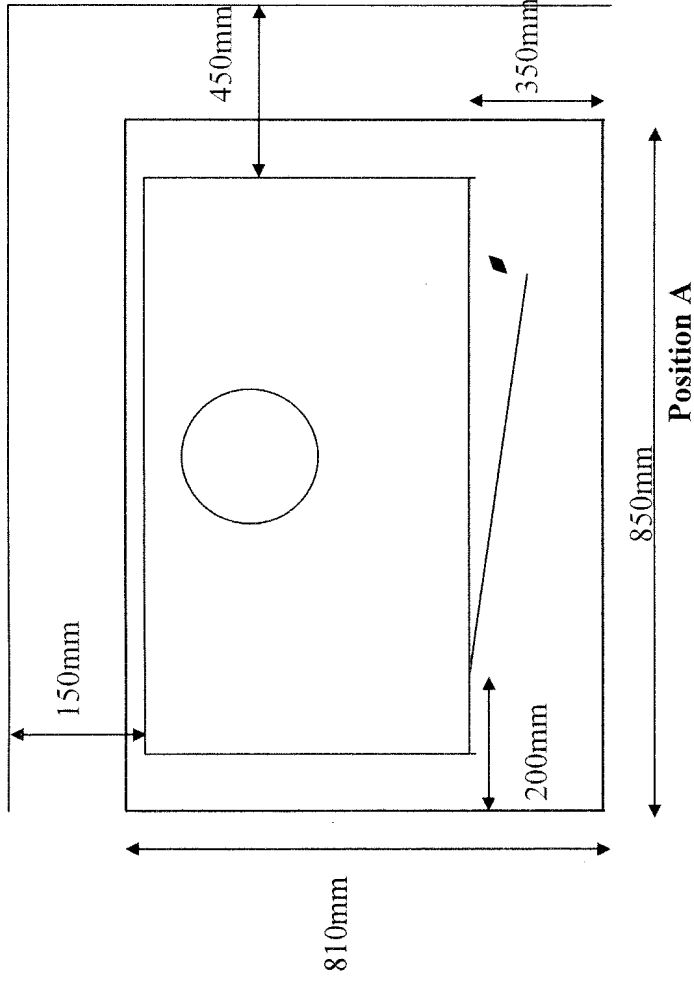
In areas with strong winds and high structures and trees, drafts may occur and in which case we recommend a storm collar be fitted to the double cone cowl.

7. It is necessary to ensure that the weight of the flue pipe is adequately supported. Stainless steel flue pipes can expand 7mm per metre length between ambient and operating temperature.

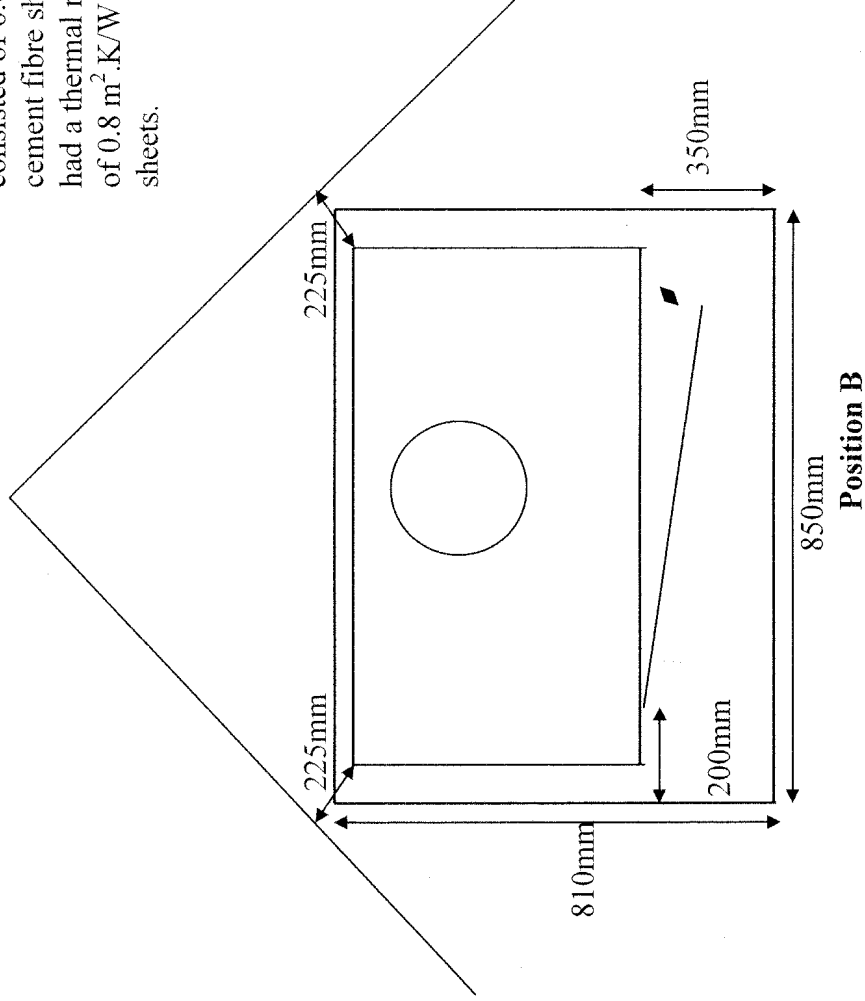
All joints between sections of flue pipes shall be either -

- (i) continuously welded or
 - (ii) push fitted and secured to prevent separation
8. All furniture, clothes, drapes, firewood and other moveable combustible items must be kept a minimum of 1200mm from the appliance.
 9. The appliance conforms to the safety standards AS 2918 and AS 3869. When in use some parts may become hot. A suitable fireguard is recommended where the very young, elderly or infirm are concerned.

**APPENDIX 1:
MINIMUM CLEARANCES FOR THE KEMLAN C24
SOLID FUEL APPLIANCE INSTALLED WITH
A KEMLAN DOUBLE FLUE KIT**



The floor protector consisted of 6.0mm thick cement fibre sheet which had a thermal resistance of $0.8 \text{ m}^2 \cdot \text{K/W}$ for 4mm sheets.





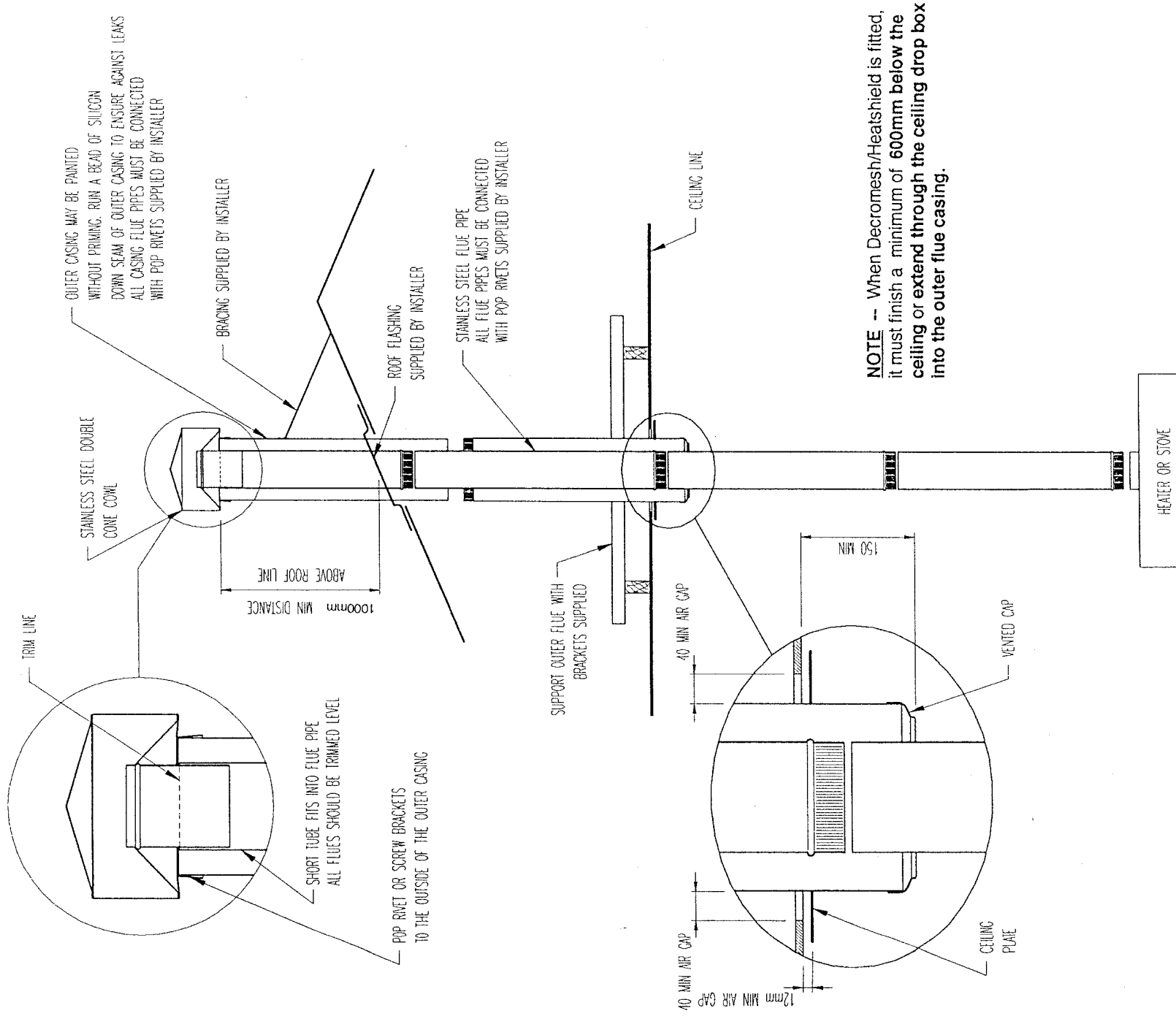
ABN 43 003 209 961

Kemlan Industries Pty Ltd

Head Office: 59 Pineapple Street (PO Box 259) Zillmere Queensland 4034

Telephone: (07) 3263 8488 Facsimile: (07) 3263 6452 www.kemlan.com

Business hours: Monday to Thursday 7.30am-4.00pm • Friday 7.30am-2.00pm



★ ALWAYS COVER STOVE COMPLETELY UNTIL INSTALLATION AND CLEAN-UP IS COMPLETE ★

DOUBLE FLUE KIT – FLAT CEILING – INSTALLATION INSTRUCTIONS

INSTALLATION TO COMPLY TO AS/NZS 2918

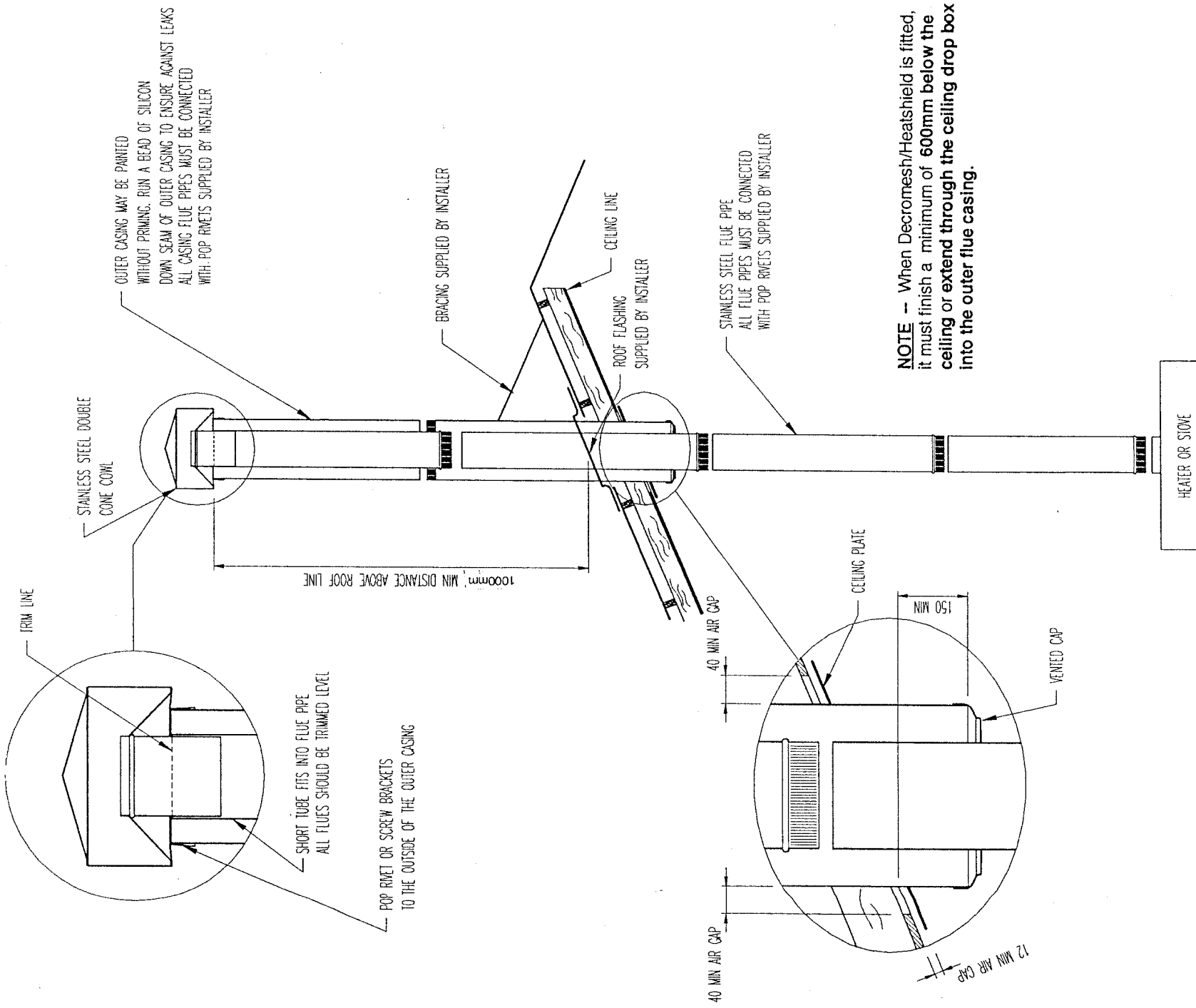


ESTABLISHED 1969
 ABN 43 003 209 961

Kemlan Industries Pty Ltd

Head Office: 59 Pineapple Street (PO Box 259) Zillmere Queensland 4034
 Telephone: (07) 3263 8488 Facsimile: (07) 3263 6452 www.kemlan.com

Business hours: Monday to Thursday 7:30am-4:00pm • Friday 7:30am-2:00pm



* ALWAYS COVER STOVE COMPLETELY UNTIL INSTALLATION AND CLEAN-UP IS COMPLETE *

DOUBLE FLUE KIT -- RAKED CEILING -- INSTALLATION INSTRUCTIONS

INSTALLATION TO COMPLY TO AS/NZS 2918



E S T A B L I S H E D 1 9 6 9

ABN 43 003 209 961

Head Office: 59 Pineapple Street (PO Box 259) Zillmere Queensland 4034
Telephone: (07) 3263 8488 Facsimile: (07) 3263 6452 www.kemlan.com

Business hours: Monday to Thursday 7.30am-4.00pm • Friday 7.30am-2.00pm

OPERATING INSTRUCTIONS

WARNING: THIS APPLIANCE MUST NOT BE OPERATED AS AN OPEN FIRE. DO NOT OPERATE WITH DOOR OPEN.

WARNING: DO NOT USE FLAMMABLE LIQUIDS SUCH AS PETROL, KEROSENE, OR ENGINE OIL TO START OR REKINDLE THE FIRE.

THIS APPLIANCE HAS BEEN TESTED TO AUSTRALIAN STANDARDS USING HARDWOOD ONLY.

1. Open the air inlet by sliding the air inlet control to high. The air inlet control is located below the badge on the front face of the appliance.

2. Crumple at least three double pages of newspaper into loose balls and place them directly onto the firebrick lined floor of the firebox. Firestarters may be used as an alternative to paper.

Cross lay at least 15 to 20 pieces of kindling on top of the paper – if pine is used, the size should vary from the thickness of a pencil to that of a knife handle – if hardwood is used split it even smaller. Pine can be used as kindling for starting the fire but must not be used constantly.

3. Light the paper/firestarters and close the door. **N.B.** Ventilate the house during the first three times the stove is used see Safety Precautions on curing the paint.

4. Once the kindling is well alight, add a few pieces of slightly larger hardwood, split to approximately 25 x 50mm (2" x 1"). Close the door and leave the air inlet control on high. When the hardwood is well alight (usually 10 to 15 minutes) and embers are starting to form, larger pieces of hardwood may be added – up to eight pieces the equivalent of 50 x 50mm (2" x 2") is ideal.

The object is to create a fiercely burning fire of reasonably small hardwood, which will quickly produce a good bed of glowing embers on the floor of the firebox. This will take from 20 to 40 minutes depending on the quality of the firewood. Use dry seasoned hardwood.

5. Larger pieces of hardwood may now be added. Rake the embers so they are evenly spread over the floor of the firebox. Fill the firebox and leave the air inlet control on high until the wood is well alight, then close the control approximately a third of its travel. Usually about one hour after lighting, the air inlet control can be further shut down to achieve the desired heat output.

CAUTION: WHEN THE APPLIANCE IS IN OPERATION, OPEN THE AIR INLET BEFORE OPENING THE DOOR

IMPORTANT: Always load the hardwood from front to back. Never load the hardwood across the width of the opening. Always allow a small gap between the hardwood pieces so the flame can move freely. After adding hardwood to the firebox, open the air inlet for approximately 15 to 25 minutes until the new pieces are burning well, then it may be returned to its desired setting.



ABN 43 003 209 961

Head Office: 59 Pineapple Street (PO Box 259) Zillmere Queensland 4034
Telephone: (07) 3263 8488 Facsimile: (07) 3263 6452 www.kemlan.com

Business hours: Monday to Thursday 7.30am-4.00pm • Friday 7.30am-2.00pm

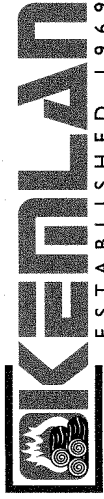
6. To set the fire for an extended burn, fill the firebox with hardwood and fully open the air inlet for approximately 15 to 25 minutes. Once the fire is burning well, shut down the air inlet control. Setting the air inlet control may be varied to suit your particular requirements and the quality and size of your firewood.

Remember wet or green wood will cause a dramatic reduction in the heat output of your heater.

CAUTION: THE USE OF SOME TYPES OF PRESERVATIVE - TREATED WOOD AS A FUEL CAN BE HAZARDOUS.

WARNING: DO NOT USE AEROSOLS OR PLACE AEROSOL CANS IN THE VICINITY OF THIS APPLIANCE WHEN IT IS OPERATING.

WARNING: THIS APPLIANCE MUST NOT BE OPERATED WITH A CRACKED GLASS. REPLACEMENT GLASS IS AVAILABLE FROM YOUR LOCAL KEMLAN RETAIL OUTLET.



ESTABLISHED 1969
 ABN 43 003 209 961

Head Office: 59 Pineapple Street (PO Box 259) Zillmere Queensland 4034
 Telephone: (07) 3263 8488 Facsimile: (07) 3263 6452 www.kemlan.com

Business hours: Monday to Thursday 7.30am-4.00pm • Friday 7.30am-2.00pm

MAINTENANCE INSTRUCTIONS

CAUTION ONLY CLEAN THE APPLIANCE WHEN IT IS AT ROOM TEMPERATURE

1. The flue system must be kept clean and in good condition. Have the flue inspected at least once every 12 months – preferably before the start of the winter season. The appliance needs to be cleaned frequently because soot, creosote and ash may accumulate. In the event of a soot or creosote fire (flue fire) ensure door is kept closed and shut down the air inlet control.
 Following a flue fire the flue system should be inspected by a qualified installer or other competent person and any damaged components replaced.
2. If the glass door in your heater becomes dirty, your firewood is either green, wet, or both. You may be closing the air inlet down too soon after lighting or after adding new firewood.
 To clean the glass simply use some of the white ash in the firebox. Apply it with a damp cloth in a circular motion. Remove residue with a clean cloth or paper.
BROKEN GLASS – REPLACE CRACKED OR BROKEN GLASS IMMEDIATELY. DO NOT OPERATE UNTIL REPAIRED. USE ONLY ROBAX OR PYROCERAM HIGH TEMPERATURE GLASS 5 MM THICK.
3. To clean the painted surface, simply dust with a soft duster and wipe over with a dry cloth. Under no circumstances should any solvents such as methylated spirits, petrol, mineral turpentine etc be allowed to come in contact with the painted surface of the heater as damaged to finish will result. If an accident does occur spray can paint is available from your local Kemlan retail outlet.
Paint – The paint work on the appliance can be touched up by using Stove Bright high temperature paint, which is available through your local Kemlan retail outlet.
4. Clean out excess ash from the floor of the firebox when required. Dispose of the ash in a steel container with a tightly fitting lid and move outdoors immediately. Do not use a plastic or an inflammable container.
5. Do not remove all the ash and in particular leave any pieces of charcoal in the heater, as they are good fuel.
6. All parts and replaceable components are available through your local Kemlan retail outlet.
7. **Fan** – A build up of dust may occur. To clean turn off power and remove the plug – remove fan and vacuum or blow dust. The fan is reached by removing the three (3) bolts at the lower rear of the unit.
 At the end of each season –
 - (i) The appliance should be cleaned and checked.
 - (ii) Lube door latch and hinges with an anti – seize lubricant.
 - (iii) Touch up paint surface if necessary.
 - (iv) Inspection and cleaning of flue system.



E S T A B L I S H E D 1 9 6 9
 ABN 43 003 209 961

Head Office: 59 Pineapple Street (PO Box 259) Zillmere Queensland 4034
 Telephone: (07) 3263 8488 Facsimile: (07) 3263 6452 www.kemlan.com

Business hours: Monday to Thursday 7:30am-4:00pm • Friday 7:30am-2:00pm

SAFETY PRECAUTIONS

Statements Pursuant to AS / NZS 3869 - Clause 7.2.2 & 7.2.3

INSTALLATION

- (i) **WARNING: THE APPLIANCE AND FLUE SYSTEM SHALL BE INSTALLED IN ACCORDANCE WITH AS/NZ 2918 AND THE APPROPRIATE REQUIREMENTS OF THE LOCAL BUILDING REGULATORY AUTHORITY.**
- (ii) **CAUTION: MIXING OF APPLIANCE OR FLUE SYSTEM COMPONENTS FROM DIFFERENT SOURCES OR MODIFYING THE DIMENSIONAL SPECIFICATION OF COMPONENTS MAY RESULT IN HAZARDOUS CONDITIONS. WHERE SUCH ACTION IS CONSIDERED, THE MANUFACTURER SHOULD BE CONSULTED IN THE FIRST INSTANCE.**
- (iii) **THE APPLIANCE AND FLUE SYSTEM MUST BE INSTALLED STRICTLY IN ACCORDANCE WITH THE MANUFACTURER'S INSTRUCTIONS.**
- (iv) **MINIMUM CLEARANCES AS SET OUT IN THE INSTALLATION INSTRUCTIONS MUST BE COMPLIED WITH. ENSURE SOLID FUEL, HOUSEHOLD ITEMS AND FURNITURE ARE AT LEAST 1.2 METRES FROM THE APPLIANCE AT ALL TIMES.**
- (v) **THIS APPLIANCE MUST NOT BE MODIFIED IN ANY WAY WITHOUT MANUFACTURERS' SPECIFIC INSTRUCTIONS.**

OPERATION

- (vi) **WARNING: DO NOT USE FLAMMABLE LIQUIDS SUCH AS PETROL, KEROSENE, OR ENGINE OIL TO START OR REKINDLE THE FIRE.**
- (vii) **WARNING: DO NOT USE AEROSOLS OR PLACE AEROSOL CANS IN THE VICINITY OF THIS APPLIANCE WHEN IT IS OPERATING.**
- (viii) **THIS APPLIANCE HAS BEEN TESTED TO AUSTRALIAN STANDARDS USING HARDWOOD ONLY. PINE CAN BE USED AS KINDLING FOR STARTING THE FIRE BUT SHOULD NOT BE USED CONSTANTLY.**
- (ix) **IN THE EVENT OF A SOOT OR CREOSOTE FIRE (FLUE FIRE) ENSURE DOOR IS KEPT CLOSED AND CLOSE AIR CONTROL TO MINIMUM SETTING.**
- (x) **THE USE OF SOME TYPES OF PRESERVATION – TREATED WOOD AS A FUEL CAN BE HAZARDOUS.**
- (xi) **THIS APPLIANCE MUST NOT BE OPERATED AS AN OPEN FIRE.**
- (xii) **THIS APPLIANCE MUST NOT BE OPERATED WITH A CRACKED GLASS. REPLACEMENT GLASS IS AVAILABLE FROM YOUR KEMLAN RETAIL OUTLET.**



ESTABLISHED 1969
ABN 43 003 209 961

Head Office: 59 Pineapple Street (PO Box 259) Zillmere Queensland 4034
Telephone: (07) 3263 8488 Facsimile: (07) 3263 6452 www.kemlan.com

Business hours: Monday to Thursday 7.30am-4.00pm • Friday 7.30am-2.00pm

(xiii) CURING THE PAINT: YOUR STOVE HAS BEEN PAINTED WITH THE HIGHEST QUALITY SILICONE STOVE PAINT AND HAS SPECIAL BREAK-IN PROCEDURES TO CURE IT WITH HEAT AND MAKE IT HARD.

Ventilate the house during the first three times the stove is used. The paint on the stove will give off smoke heavy with carbon dioxide and has an odour. Without adequate ventilation, concentrations of smoke could irritate, or be upsetting, so open doors and windows and use a fan if necessary. After these initial burns the paint will be cured and there should be no more smoke.

Don't touch the surface. It will be soft and gummy during this paint curing phase. Once cured, it will not be soft again.

Most stoves cure with 3 burns. The first 2 should be 250°F for 20 minutes, or about half a normal fire. Let the stove cool down between burns. The last fire should be 500°F to 700°F for at least 45 minutes. The point being, cure slowly *without* a hot fire.

Stoves with a cooler surface temperature and those that have been painted with another colour before, will take longer to cure.

Curing can usually be observed by the effect of the paint turning flat as the heat radiates out from hotter parts of the stove.

So....

Ventilate well
Do not touch during curing
Cure with 3 fires
Call your dealer for any questions

MAINTENANCE

- (xiv) THE FLUE SYSTEM MUST BE KEPT CLEAN AND IN GOOD CONDITION BECAUSE SOOT, CREOSOTE AND ASH MAY ACCUMULATE.
- (xv) EXCESS ASH SHOULD BE REMOVED. DISPOSE OF THE ASH IN A STEEL CONTAINER WITH A TIGHTLY FITTING LID AND MOVED OUTDOORS IMMEDIATELY. DO NOT USE A PLASTIC OR AN INFLAMMABLE CONTAINER.
- (xvi) CAUTION: CRACKED AND BROKEN COMPONENTS, eg GLASS PANELS OR FIRE BRICKS, MAY RENDER THE INSTALLATION UNSAFE.
- (xvii) ALL PARTS AND REPLACEABLE COMPONENTS ARE AVAILABLE THROUGH YOUR KEMLAN RETAIL OUTLET.



Kemlan Industries Pty Ltd

Head Office: 59 Pineapple Street (PO Box 259) Zillmere Queensland 4034

Telephone: (07) 3263 8488 **Facsimile:** (07) 3263 6452 **www.kemlan.com**

Business hours: Monday to Thursday 7.30am-4.00pm • Friday 7.30am-2.00pm

Email: kemlansales@swiftsi.com.au

FAN OPERATION

KEMLAN C24 Mk II

For appliance fitted with an optional fan.

3 Speed Fan

Air Inlet Setting	Fan Speed		
	Boost	High	Low
High	Yes	Yes	Yes
Medium	No	Yes	Yes
Low	No	No	Yes

NATIONAL Certificate of Compliance For Solid Fuel Heaters

This is to certify that the appliance stated on this Certificate has a particulate Emission Factor not greater than the maximum allowable when tested to the appropriate Standard.

Valid to : 31st July 2009

Make	KEMLAN
Type	C 24 Mk II
Model	Freestanding
Category	Slow Combustion Heater
Test Laboratory	HRL Technology
Fuel Type	Hardwood
Standards	AS / NZS 4013:1999 AS / NZS 4014:1999 AS / NZS 4012:1999

ISSUED BY :



AUSTRALIAN HOME HEATING ASSOCIATION
Inc.

Delegate of the
Australian State & Territory
Environment Protection Authorities

SIGNED *Clayton Gower*

CERTIFICATE No: H 485-0706 DATE 31/07/06



ESTABLISHED 1969
 ABN 43 003 209 961

Kemlan Industries Pty Ltd

Head Office: 59 Pineapple Street (PO Box 259) Zillmere Queensland 4034
 Telephone: (07) 3263 8488 Facsimile: (07) 3263 6452 www.kemlan.com

Business hours: Monday to Thursday 7.30am-4.00pm • Friday 7.30am-2.00pm
 Email: sales@kemlan.com.au

WARRANTY

1. Kemlan wood heaters carry a warranty on the 6mm firebox for a period of ten (10) years.
2. This warranty also covers other components of the heater for a period of one (1) year. These components include the baffle plate, handle assembly, and fan.
3. Kemlan's warranty covers the wood heaters against defects in materials and manufacture.
4. **This warranty does not cover -**
 - 4.1 Failure to comply with manufacturer's operation instructions.
 - 4.2 Normal wear and tear or damage caused by incorrect installation.
 - 4.3 Any form of rust and/or corrosion to the painted finish of the heater.
 - 4.4 Damage to the glass in the door, if the damage is caused by impact or misuse.
 - 4.5 The cost of collection and delivery of the wood heater and/or parts.
 - 4.6 Damage caused by water ingress.
 - 4.7 Cost of removal of defective heater or re-installation of replacement heater.
5. **Claims -**
 - 5.1 (1) Kemlan will provide a full replacement of the heater in the first five years after installation.
 (II) Replacement in the subsequent five years (i.e. sixth to tenth year after installation will be on the following basis.
 Owner will pay twenty percent of purchase price if the claim is made in the sixth year and a further ten percent per year in every subsequent year to a maximum of fifty percent of the purchase price of the heater.
 - 5.2 Replacement of heater subject to all conditions in section four of warranty.
 - 5.3 Should any defects occur, contact the Kemlan distributor from whom you purchased the heater.
 - 5.4 Under this warranty the defective parts will be repaired or replaced at Kemlan's option, free of charge.
 6. The fireplace installation must comply with the relevant local statutes, ordinances, regulations and by-laws.

PLEASE COMPLETE AND RETAIN THIS SECTION FOR YOUR RECORDS

Purchased from:

Address:

Date of Purchase: