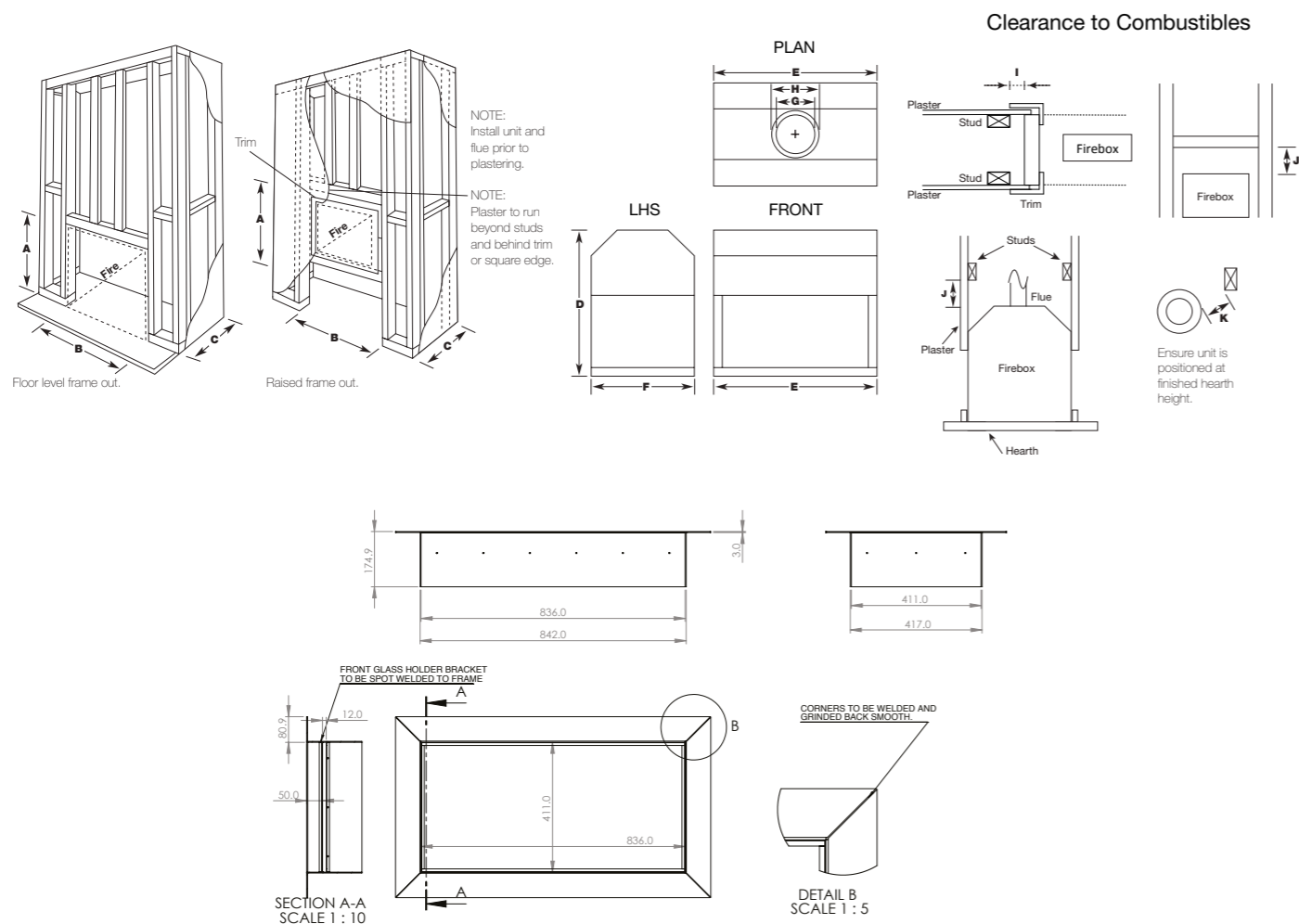


DOUBLE VISION

	A	B	C	D	E	F	G	H	I	J	K	NG Mj/h	LP Mj/h	GPO REQ'D	VENTILATION
850	950	1000	600	850	950	600	225	275	25	100	25	54	43	NO	40000mm2



Head Office, Factory and Showroom:

Scoresby VIC
1340 Ferntree Gully Road
T 03 8706 2000
F 03 8706 2001

Free on site advisory service
www.realflame.com.au

Richmond VIC
300 Swan Street
T 03 9428 4443

Dandenong Sth VIC
3/328 Sth Gippsland Hwy
T 03 9702 7853

Geelong VIC
2a Gordon Avenue
T 03 5229 0844

Chatswood NSW
546 Pacific Highway
T 02 8905 0189

Miranda NSW
36 Kareena Road
T 02 8513 6202

Norwood SA
173 Magill Road
T 08 8132 0371

Osborne Park WA
47-53 McDonald Street
T 08 9444 9900

Milton QLD
46 Douglas Street
T 07 3368 2011

Fyshwick ACT
88 Wollongong Street
T 02 6280 5522

Ulverstone TAS
31a Victoria Street
T 03 6425 4440

Warranty: Provided your Real Flame Gas Fire is installed by a licensed Gas Fitter in accordance with our installation instructions and any other relevant codes and operated in accordance with our operating manual, your firebox is warranted for a period of 15 years and all other parts for 2 years from date of purchase. Refer to our web site or our IOM's for a comprehensive warranty.

Available from:

A professional resource and buyers guide

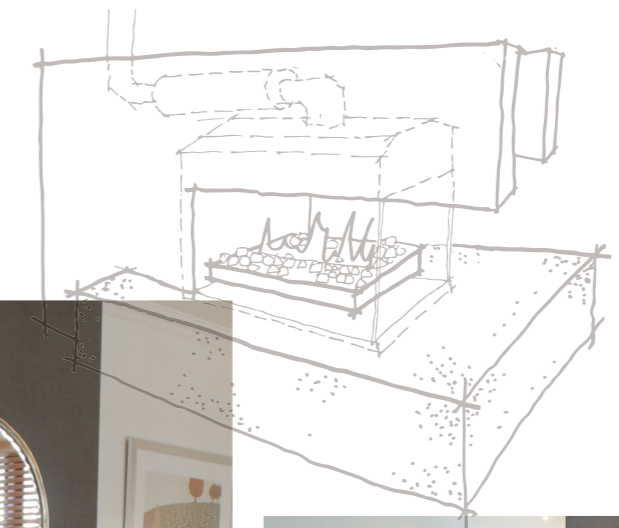
Double Vision 2017



850

LIGHT UP TWO ROOMS WITH A SEE-THROUGH FIREPLACE

Our Double Vision gas fireplace is designed for the modern home, with unique styling and simple lines. This see through fireplace becomes the warm focus of two rooms at once and also has the flexibility of having one or two glass ends, creating an impressive island fire that can be seen from all four sides, bringing a warm ambience to more of your home. There is also an Alfresco Kit to allow the fire to be viewed from outside!



- 🔥 Decorative
- 🔥 Millivolt ignition
- 🔥 New application
- 🔥 Natural gas or LPG
- 🔥 Optional Alfresco Kit
- 🔥 Conventional or Power flue
- 🔥 Pebbles or Coals and Logs
- 🔥 Traditional or contemporary
- 🔥 Glass back or sides optional
- 🔥 Conceived, designed, researched, developed and built in Australia