



APPLIANCE SPECIFICATION

Certificate Number: 8107

Date of Issue: 5 Sept 2014

Brand Name: Heatmaster
Model/s: Inbuilt Seamless
Description: Induced draught, luminous and heating power flue effect, mains power 240V AC
High efficiency gas log space heater
This appliance is for use with Natural Gas.

Certificate Holder: Heatmaster Pty Ltd.
2/9 Nicole Close, Bayswater, Victoria, 3153, Australia
ABN: 64-641-709-587
Contact: (03) 97617134

Manufacturer: Heatmaster Pty Ltd.
2/9 Nicole Close, Bayswater, Victoria, 3153, Australia
Contact: Tel. (03) 97617134
ABN: 64-641-709-587

Distributor: Heatmaster Pty Ltd.
2/9 Nicole Close, Bayswater, Victoria, 3153, Australia
Contact: Tel. (03) 97617134
ABN: 64-641-709-587

Australian Standard: AS 4553 – 2008 (incorporating amendment No 1) “Gas space heating appliances”

CONTENTS

SECTION	DESCRIPTION	PAGE
1	PRODUCT OVERVIEW General Description Operation	4
2	TECHNICAL DATA General Construction Gas System Heating System Electrical	5 7 9 11
3	Operating Instructions servicing instructions	13 15
4	Trouble shooting	17
5	MARKINGS – APPLIANCE DATA PLATE	19
6	FIREBOX DIMENSIONS Rear View Balanced flue with 58 and 65mm Ø. Pipes	20
7	FLUEING Horizontal and vertical flue setup	21
8	PHOTOGRAPHS Log set up	22
9	Warranty	24

General Description

The Heatmaster "Seamless" Log space heater is an induced draft, high efficiency, fan assisted space heater with a Remote Manual/ Automatic thermostat control, using a 2 step High- Low gas setting. Low is front burner and high is front and rear burners together. If decorative mode is selected, only the front burner will ignite and the convection fan will not operate.

The heater gas safety functions are controlled by an AGA approved electronic flame supervision and ignition controller. This controls the combustion fan, and fan operation is proven by a Cleveland Control duel pressure switch.

A separate Millennium branded controller handles all other functions including temperature sensing and control of convection fan speeds Low, High and Off if decorative mode is selected with only the front burner on. It also communicates with the RF remote.

As well, the two convection fans are enabled by a thermal sensor adjacent to the heat exchanger, once the firebox has reached operating temperature. The actual fan speeds are selected from the remote and also modulate automatically in steps (Hi-Low) when required.

Safety features included are:

Flame failure and overheating safety system, automatic shut down if gas or power failure occurs and fan start-stop protection. On startup the combustion fan runs at a higher speed than normal to automatically purge any unburnt gas prior to ignition. A glass dress guard is fitted to the heater door to prevent accidental mishaps.

The Heatmaster Seamless Gas Log space Heater is a room sealed heater that can be installed in three configurations. The maximum length of flue and air supply pipe is 12 meters.

- a) Fitted with two pipes vertical. A 60mm pipe to supply external air and a 50mm flue pipe to expel combustion products via a balanced flue terminal
- b) Fitted with a horizontal balanced flue configuration. A 60mm pipe to supply external air and a 50mm flue pipe to expel combustion products via a balanced flue terminal.
- c) Fitted with a combination of vertical and horizontal twin pipes suspended under floor. A 60mm pipe to supply external air and a 50mm flue pipe to expel combustion products via a balanced flue terminal

Operation:

The unit is started by the remote control.

The SIT 590DBC starts the combustion fan. The millennium control ramps the fan speed to a higher setting for 30 seconds to ensure pull in of the pressure switch and to perform a thorough purge. The pressure switch proves the combustion air and enables the 579 to proceed to start-up. The combustion fan reverts to a lower operating speed for quietness.

The front burner will ignite first in every case, and the flame detection of this burner is verified by the SIT 579 in approx 5 seconds. After 40 seconds from start up, and only after the front burner has ignited and satisfied the SIT 579 that it has flame, will the second burner and thermostatic operation be enabled. An interlock in the SIT 579 control ensures this.

If decorative mode is selected, the unit cannot progress to the second burner stage or any room fan setting. IE there is no room fan or second burner available in decorative flame mode.

If/when extra heat is required, as decided by the user or the thermostat, the remote control/main control will allow the second solenoid valve to supply gas to the rear burner, provided the decorative (front burner) is burning. This burner will ignite by cross-lighting from the front burner. Only the rear burner modulates on-off depending on thermostat for temperature control. The decorative only burner will not modulate OFF until switched off by the user or built in timer.

The second solenoid for the rear burner can only be activated when the signal from the SIT 5479DBC confirms flame at the front burner. The power supply for the rear burner solenoid is provided from the flame signal of the SIT 579, so the power to the rear burner cannot be applied from any other source. This setup ensures absolute safety in that the rear heating burner cannot be supplied gas spuriously. The solenoid valve for the second burner is also a tandem double block approved valve.

GENERAL

BRAND NAME	MODEL
Heatmaster	Seamless
BURNERS	
	Heatmaster, Inspiration type Rectangular Bar Burner,
COMBINATION CONTROL	
	SIT , double block , 840
IGNITION MODULE	
	SIT, Electronic , 579DBC
BURNER CONTROLLER	
	SIT , double block , 840
	Dungs double block valve for high setting.
REGULATOR	
	SIT , double block , 840
LOG SET	
	Everburn, Ceramic Compressed Kaowool , Heatmaster Seamless
FLUEING OPTIONS	
	<ol style="list-style-type: none"> 1. Vertical twin pipe through the roof and connected to a balanced flue terminal. 2. Horizontal twin pipe through the wall and connected to a balanced flue terminal 3. Combination vertical and horizontal twin pipes suspended under floor and connected to a balanced flue terminal <p>Note: The flue length must not exceed 12 meters.</p>
OPTIONS (Test Laboratory Assessed)	
	Must be installed on a fireproof base.
	The following clearances from combustible materials must be observed: Above 300mm. Sides 12mm. Rear 10mm

GENERAL

Gas Type: *Natural Gas @ 0.88kPa Test Point Pressure*^①

Burner	Injector Size (mm)	N.G.C. (MJ/h)
Minimum. Front burner	1.95	18
Maximum. Both burners	1.95	36

Dimensions / Weight:

Model	Width (mm)	Depth (mm)	Height (mm)	Weight (kg)
Heatmaster Seamless Inbuilt	1295	495	465	85kg

Star Rating

Model	
Heatmaster Seamless	4.0/4.2 Stars (Flue dependent)

① *The test point pressure is set with 'both burners' on maximum. BURNERS are ON – OFF only*

CONSTRUCTION

<p>General</p>	<p>The Heatmaster Seamless Gas Log Heater comprises of a metal fire box structure and a Heat Exchanger located within an outer casing, which has a transparent ceramic glass front door.</p> <p>The heat exchanger includes a primary heat exchanger (firebox) subject to gas heating, a secondary heat-exchanger made of tubular members heading from the firebox and connecting to the inlet header of the manifold flue fan box. The secondary heat exchanger is made of corrugated flexible stainless steel tubes, which are connected at their other end to the combustion fan, so as to extract and expel the combustion products from within the firebox, the tubular members and the manifold box.</p> <p>The combustion products are expelled to the atmosphere by the combustion fan through a flexible aluminium flue system of 50mm diameter to a balanced terminal.</p> <p>Two convection room fans are positioned at the bottom of the fire box structure so as to draw cool air from the room through an opening at the lower end of the firebox fascia this air is heated by passing through the outer surfaces of the primary and secondary heat exchanger's and finally expelled into the space being heated. The double convection fans are so situated, that it provides a cooling effect on the working components, such as combustion fan and adjacent electronic controls. The cooling effect is not necessary in decorative mode and the convection fans do not operate.</p>
	<p>The firebox is made of 3 pieces of 1.2mm thick Aluminized steel sheet, press folded and assembled and joined by TIG/MIG welded construction.</p> <p>The burners are fastened to the firebox assembly by two locating slots and 3.2 mm screws located at each ends of the burner tray.</p> <p>The front of the firebox is sealed with the door frame made of one piece of 2.5 mm thick mild steel sheet, pressed and folded. The door is sealed with a 19mm Ø. fiber glass rope and a fiber glass tape around the 5.0mm Ceramic glass edges. Four M6 x 35mm screws mount the door assembly on the firebox and maintain it in place firmly and gas tight. The external outer panels and fascia are made of pressed and folded 1mm thick Aluminized Steel. The external front trim is aluminum.</p> <p>Refer Drawings HMR-716-206,213,215,216,217,218,227,228,229 & 230</p>
<p>Primary Guard</p>	<p>GLASS</p> <p>The primary guard is 5.0mm Ceramic glass approximately the size of the door assembly. It is hung on supporting brackets at each end, is approximately 20mm from the door glass and is removable for cleaning etc. It allows convection between the glass and the door for cooling of the guard. The edge gaps preclude the temperature test cone as per AS4553</p> <p>Refer Drawings HMR-716-201,262 & 263</p>

TECHNICAL DATA**SECTION 2**

Primary Air	<p>The primary Air for combustion is drawn into the firebox through a 60 mm pipe of 1.6mm mild steel attached to the firebox back side air inlet hole opening of 60 mm diameter</p> <p><i>Refer Drawing HMR-716-212</i></p>
Combustion Chamber	<p>The Combustion Chamber is made of 1.2mm aluminized steel with the burners sitting inside the firebox elevated from the bottom. The rear and front rails and the 2 burners separate the bottom and top halves into combustion chamber on top and required secondary air for the correct combustion and flame pattern in the bottom. The bottom space is connected to the air inlet on the back of the unit. The volume of the firebox is 92 litres including the volume of the logs. The internal top rear corner of the firebox, from where the combustion gases are evacuated is covered by a baffle made of 1.6mm aluminized steel to restrict the flow of flue gases and to protect this area from the intense heat.</p> <p><i>Refer Drawing No. HMR-716-206,209,229 & 230</i></p>
Primary Flue Connection	<p>The primary flue connection is made of a 50mm N.B. aluminum flexi tube made by Abbey and attached to the back of heater by a 50mm hose clamp.</p>
Flue Cap	<p>See Appendix 3. Flue Cowl Assembly</p> <p><i>Refer Drawing No. 043</i></p>

GAS SYSTEM

<p>Gas Piping</p>	<p>To bring the gas supply, the inlet gas pipe consists of a 12.7mm Ø. by 400mm long corrugated flexible stainless steel pipe manufactured by Dormont America, the other end of the pipe is connected to the Sit gas valve, which delivers the gas to the injector burner (front and rear) by using copper pipe and manifold of ½” mm Ø and 3/8” Dormant corrugated tube.</p>
<p>Gas inlet connection</p>	<p>Gas inlet fitting is a ½” BSPM plated steel fitting supplied with the ½” Dormont Pipe. This connection is located at the rear left bottom corner of heater. , AGA Approval No. 5531</p>
<p>Gas Control</p>	<p>SIT ,Model SIT 840 Type Gas Valve</p> <ul style="list-style-type: none"> • Maximum working pressure 5 kPa • Temperature Limitation 60°C Maximum • 220-240V / 50-60Hz • Inlet connection: 1/2" RC series (AS 1722.1) • Outlet connection: 1/2" RC series (AS 1722.1) <p>The SIT 840 valve incorporates the following features:</p> <ul style="list-style-type: none"> • 1 individual gas outlet controlled by double block solenoids • Two automatic shut off valves – AS 4624 Class 2 and 3 <p>AGA Approval No. 5733</p>
<p>Pressure test point (Burner)</p>	<p>8.9mm Ø Brass Nipple with removable screw and washer, located lower left front of the heater accessible at all times. The test point is remote from the gas train and connected by small bore copper tube to the main gas manifold. Refer Drawing No HMR-716-250</p>
<p>High burner solenoid</p>	<p>This is an AGA approved EBM double block gas valve without regulator and can only be powered from the SIT control after flame is successfully sensed at front burner. Model No: GB-D 055 AGA Approval No: 7858 Alternate, Kupo valve AGA approval No: 8054</p>

<p>Injectors</p>	<p>Length: 35.5mm Diameter: 10mm Thread: 1/8 BSP male</p> <p>Refer Drawing HMR-716-214</p>
<p>Burner Details</p>	<p>The Heatmaster Seamless series heaters utilise a two bar burner assembly mounted at the bottom of the firebox, below the ceramic logs mounting tray.</p>
<p>Burner 'Front' bar</p>	<p>This burner is a single piece 50 X 20mm X 1.5mm RHS mild steel construction and with an inspirator tube 20mm SHS welded at right angles to, and under the burner body. Ports are drilled. Primary air is drawn through a single 5 mm Ø hole in the inspirator tube. The burner is NOT interchangeable with the rear burner and cannot be incorrectly located.</p> <p>Refer Drawing No. HMR-716-220,221,222 & 223</p>
<p>Burner 'rear' bar</p>	<p>This burner is a single piece 50 X 20mm X 1.5mm RHS mild steel construction and with an inspirator tube 20mm SHS welded at right angles to, and under the burner body. Ports are drilled. Primary air is drawn through a 7.5mm Ø hole drilled through both sides of the inspirator tube. The burner is NOT interchangeable with the front burner and cannot be incorrectly located.</p> <p>Refer Drawing No. HMR-716-224,225</p>

HEATING SYSTEM

Type	Induced draught power flue, fan assisted convection with flame effect.
Radiants	Everburn, Ceramic Compressed Kaowool Log set. See Photos Page 17 & 18 for location. Location lugs ensure correct placement
Warm air outlet	Located in top front of heater above fire box.

ELECTRICAL SYSTEM

Electrical Details	A 240 volt ignition is used on this appliance.
Burner controller	SIT, Model 579/571 DBC TW -35S TS-5S. Maximum temperature: 55°C Power rating: 220-240Vac / 50-60Hz Spark gap: 3.0mm AGA Approval No. 7358
Ignition Box	Same as above
Ignition Switches	N/A
Spark Plug	Spark igniter on front burner bar, Techrite part # 07714392 Firing Tip Material: Inconel
Wiring	Ignition Module & Ignition Switches Maximum temperature: 60°C Power rating: 220-240Vac / 50-60Hz Spark Plug Leads Teflon or silicon rubber coated Maximum temperature: 280°C Power rating: High tension Wire

ELECTRICAL SYSTEM (Cont'd)

<p>Power cord</p>	<p>2 metres Flex standard 3 pin plug 10 amp, brand Castle Electronic, or equivalent approved cord set. Conform to AS3100 240V 50Hz Maximum temperature: 120°C Power rating: 220-240Vac /7 Amp 50-60Hz</p>
<p>Room Fan</p>	<p>2 Cross flow fans , TORIN FTZ180 single phase shaded pole motor Maximum temperature: 90°C Windings thermally protected inherently (inductive reactance.) Power rating: 50W 240Vac / 50Hz</p>
<p>Flue Fan</p>	<p>FIME (induced draft), model number. GR-03455 Temperature range: 0°C to 100°C Maximum Winding temperature: 180°C Power rating: 220-240Vac / 50-60Hz</p>
<p>Pressure switch</p>	<p>Cleveland Control, model number.NS2 -1088-00 set at 50 Pa. Temperature range: -40°C to 88°C Power rating: 5 Amp @ 220-240Vac / 50-60Hz AGA Approval No. 7290</p>
<p>Over temperature switch</p>	<p>Techrite model T24A180BXR2-15, Bimetallic N/C Auto-reset cut-out 180C 10Amp – 250 V a/c.</p>
<p>Room Fan thermistor controller</p>	<p>150°C thermistor epoxy body made by Millennium Electronics Rated at 100Kohm @ 25 °C</p>
<p>Millennium control</p>	<p>Millennium electronics control: 5200-0153-01A maximum running temp 65°C</p>

The Heatmaster Seamless Gas log space Heater has been designed for a simple and efficient operation with the use of remote control.

PRE OPERATIONS CHECKS

Prior to operating the heater, ensure that the flue terminal is not obstructed furthermore, make sure there are no combustible objects leaning against, resting on, Or within the immediate vicinity of the unit. Check that the heater main power and gas supply are connected and switched on.

OPERATING THE HEATER

The Seamless is operated by the **remote** controlled thermostat unit.

For complete remote operating instructions refer to attached Thermostat manual included with this heater.

But here are some basic instructions so you can override some functions to operate your heater.

1.-To ignite your heater simply press the ON/OFF power button. The heater will automatically start the ignition sequence within approximately 30 seconds of self-checking and the heater will ignite.

2.-The fan will not start until the heater has reached the minimum operating temperature. To select fan speed or the heat setting press the up or **Down**

buttons in the remote controller, to decrease or increase differential temperature between room and thermostat and flame and fan speed will be increased or decreased as desired.

The fan will not operate at all in decorative flame mode.

3. If you wish to switch between flame only (decorative) and heating mode, simply press the A/M button on the remote control.

TURNING THE APPLIANCE OFF

Press the **on/ off** switch once. The room fan will continue to operate for a short period while the heater cools down.

Please note:

1. - Due to the performance and efficiency of the heater, steam may be noticed coming From the flue terminal on cool days
2. - As this appliance has a luminous effect some slight carbon deposition may Occur in the logs.
3. - During first time firing of this appliance, an odour may be noticed for a short Period as the paint cures. It is advisable to leave the windows open during the first few hours of the very first operation only.

SAFETY PRECAUTIONS

IMPORTANT POINTS

! DO NOT place articles or clothing on or against this appliance

! DO NOT use or store flammable materials near this heater

! DO NOT place any item containing liquid on the heater

! DO NOT spray aerosol in the vicinity of this appliance when it is in operation

! ALWAYS supervise young children near the appliance

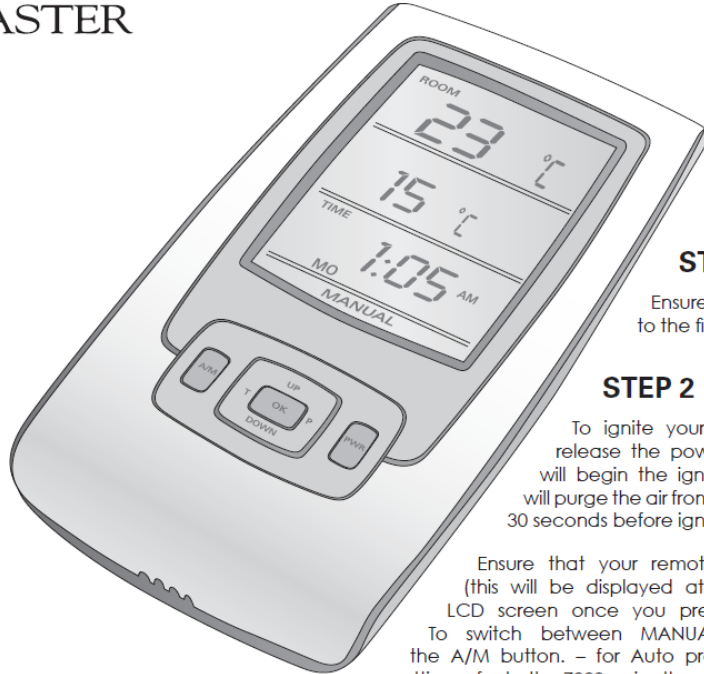
! DO NOT MODIFY THIS APPLIANCE

It is recommended that a secondary guard be used, to prevent access to appliance by children, as outer panels of this appliance may reach high temperatures.

NOTE: In the event the electricity supply cord is damaged it must be replaced with the original Heatmaster part obtainable from your authorized dealer.

It is recommended that a general service be carried out every 12 months to ensure the optimum operation of your Seamless fire.

For servicing, or parts replacement parts contact your Heatmaster dealer



STEP 1

Ensure that the power supply to the firebox is switched on.

STEP 2

To ignite your Seamless press and release the power (PWR) button. This will begin the ignition sequence which will purge the air from the firebox for approx 30 seconds before igniting the burner.

Ensure that your remote is set to MANUAL (this will be displayed at the bottom of your LCD screen once you press the PWR button). To switch between MANUAL and AUTO press the A/M button. – for Auto programming and time setting refer to the 7000 series thermostat user manual.

STEP 3

Press the A/M button to switch between thermostat and flame only setting:

- Flame only (decorative setting) is indicated by a flame icon in the middle panel or your remote.
- Thermostat setting is indicated by your desired temperature in the middle panel of your remote.

To adjust the fan/flame setting simply use the up or down button to change the set temperature.

- Next: to set the temperature you will notice a small 1, 2, or 3 which indicates the level of the fan & flame. Level 1 being the lowest and 3 the highest. The picture of the flame will also adjust to indicate which level you are on. As you increase the gap between the set temperature and the room temperature the level of the flame & fan will increase. As the room temperature gets closer to the set temperature the flame & fan will modulate down to a lower level.

Once the room temperature has reached your set temperature the back burner & fans will turn off until the room drops below the set temperature again.

Fan will run for approximately 3 minutes before turning off.

STEP 4

To turn off your Seamless press the power button.

PLEASE NOTE:

Fan will continue to run until firebox cools down.

SERVICING INSTRUCTIONS

HEATMASTER SEAMLESS ROOM HEATER

ALL SERVICE WORK TO BE CARRIED OUT BY A QUALIFIED & AUTHORISED PERSON

***Do not modify this appliance**

WARNING : Before you do any attempt to service the heater be sure that electric power plug has been disconnected.

This heater should be serviced at least once a year to clean the Room Fans from lint and dust accumulated in the air ducts and unit.

This heater does not require to be removed to service and maintain any items such as logs, gas valves, room fans, electronic control components.

The unit does not require disassembly to access the gas pressure test point.

The gas regulator test point is accessible after removing the front glass guard and the test point will be visible at the front lower left hand side of the unit.

The unit does require access into the combustion chamber to adjust the gas regulator through the back wall of the chamber.

The gas adjustment for the regulator is accessible after removal of the main inner door and the left hand logs. There is provided a small access panel that can be opened and a long series flat bladed screwdriver can be inserted through the hole and into the regulator screw of the SIT control valve. **AFTER ADJUSTMENT ENSURE THAT ACCESS COVER IS CLOSED AND SECURED.**

To service the main items listed above it is necessary to remove the Combustion Chamber.

Disassemble in this order:-

1. - To access the logs and burner components. Remove the outer door glass guard and undo the four screws that hold the door. Two at the top of door frame where the hot air outlet is and two at the bottom of door above the room air inlet.

2. Remove the logs and store safely.

3. The burners can be removed by removing the screws (visible each end of the unit) holding the Burners and cover plates. The igniter electrodes can be removed by undoing the 2 retaining screws on the front burner.

Remove the front and rear covers and then remove the burners by slipping them forward and upwards together.

4. The heat exchanger is held by 2 screws in the bottom of the burner box. Remove these.

5. Remove the top angled baffle at inside top/rear of combustion chamber by removing the screws and spacers taking note of the spacers at the front of the baffle.

6. There are 8 nuts visible that must be removed to release the internal flue connection. Ensure that gasket is not damaged in this removal, or that gasket is replaced upon re-assembly.

7. At the bottom rear of the combustion chamber, each side of the air inlet hole there are 2 screws visible. Remove and observe sealing gasket condition as above in (6.)

8. Remove combustion chamber by lifting and pulling forward.

9. The main components are concealed in sealed insulated boxes each side of the heater. NOTE: the gas components are in the LHS box as viewed from front, and the electronic controls are housed in the RHS box. There is one room fan in each box, total of 2.

10. To access these components carefully remove the top insulation of the desired box, and undo the screws holding the box lid. Note that there are rubber diaphragm gaskets for the fan. These are flexible and do not require removal. Lift off lid and access the components. It may be necessary to remove one or both corrugated heat exchanger tubes for ease of access.

11. The main control box is mounted in the RHS box on a bracket along with the pressure switch. There are screws holding this bracket to the unit floor.

As well the main gas SIT control box is mounted adjacent to this bracket.

The room fan(s) are similarly mounted on brackets. Ensure that all brackets and insulating bushes are re-assembled onto new fan if not provided with the fan.

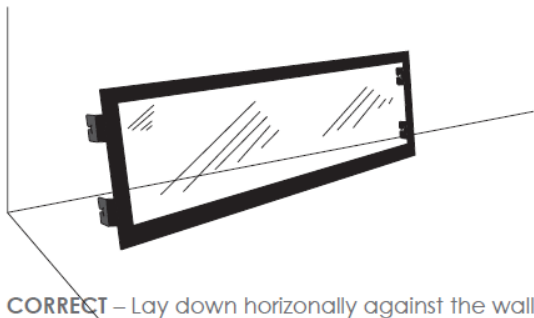
Ensure that all wires and hoses are marked for ease of re-assembly as unit will not test out unless fully assembled.

12. The gas components are mounted in the LHS box. Most connections are flare jointed for ease of disassembly. The wiring is polarised to prevent misconnections, as are the fan plugs.

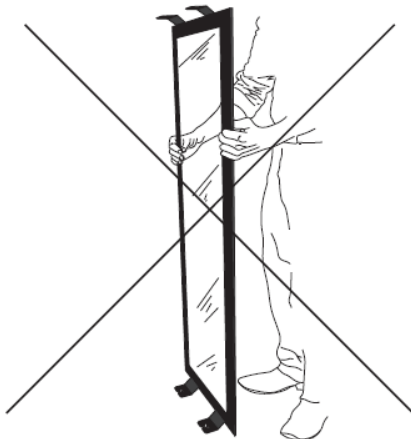
13. Re-assemble unit in reverse order taking care that:-

- a. The component boxes are re-sealed and insulated.
- b. Any gasketing is in good condition or renewed with factory supplied gaskets or material.
- c. All screws firmly tightened.
- d. Unit is gas-leak tested.
- e. Unit is fired up for final check and gas burner pressure checked and reset if necessary.
 - Note the power cord supplied must not be replaced

CAUTION: The right way to put down the front glass panel



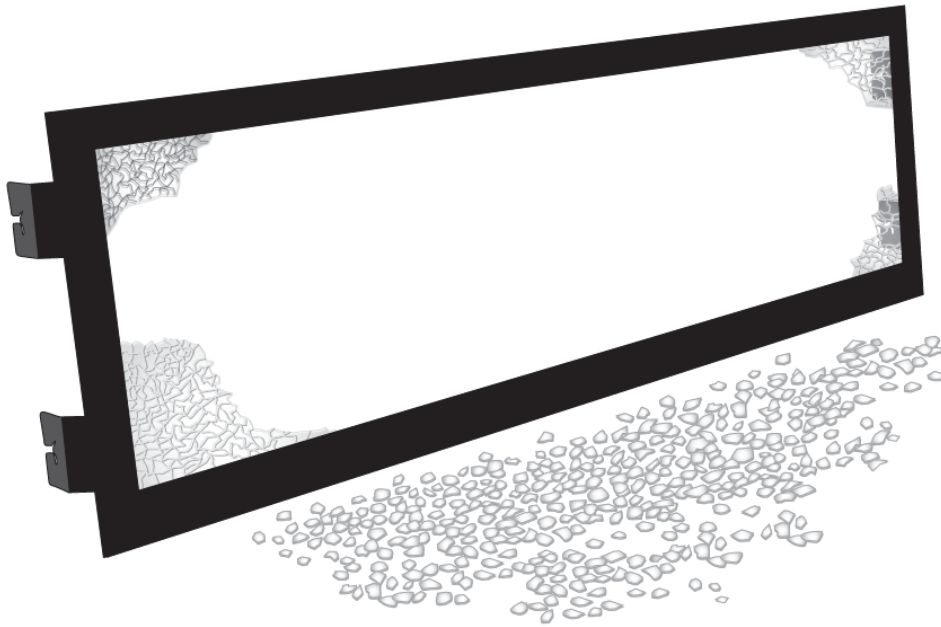
CORRECT – Lay down horizontally against the wall



NOT CORRECT – Resting on attachment hook which can loosen hooks

Important

The outer glass is fitted to this appliance to reduce the risk of fire or injury from burns and it should not be permanently removed. This glass still gets very hot and therefore, for protection of young children or the infirm, a secondary guard is required.



Tempered Glass – Heat strengthened for safety, tempered glass is approximately four times as strong as standard glass. In the event of breakage tempered glass fractures into small particles which do not form sharp edges. This greatly reduces the chance of personal injury.

As a result, it's important to check and report any imperfections prior to installation.



TROUBLESHOOTING GUIDE

SECTION 4

PROBLEM	POSSIBLE CAUSE	REMEDY
Appliance fails to ignite.	No gas or supply pressure insufficient. No electrical supply. Incorrectly wired power point. Incorrect gas valve adjustment. Insufficient time allowed between attempts. Internal wiring disconnected.	Ensure gas supply connected, purged, and pressure appropriate. Ensure unit plugged in and switch is on, check supply fuse. Check supply. Active, neutral, & earth must be correctly orientated and connected. Adjust valve pressures. Wait at least 30 seconds for unit to purge combustion chamber after switching on. Check all plugs inside appliance are connected properly and correctly located, Ensure operation of combustion fan & air pressure switch.
Unit will not operate on Low.	Incorrect gas valve adjustment. Incorrect or loose wiring.	Adjust valve. Check wiring.

Room fan not operating.	<p>Insufficient time allowed.</p> <p>Loose wiring.</p> <p>Fan not located correctly.</p> <p>Fan blocked.</p>	<p>Fan has a delayed start and will not start until unit warms-up.</p> <p>Check wiring.</p> <p>Install fan in correct location.</p> <p>Remove and clean fan.</p>
Unit cuts out after a period of time then cycles on and off.	<p>See "Room fan not operating"</p> <p>Heat exchanger blockage.</p> <p>Excessive pressure or incorrect gas type.</p>	<p>See "Room fan not operating"</p> <p>Clean heat exchanger.</p> <p>Ensure correct gas type, injector size, and pressure setting.</p>
Excessive carbon (soot) deposits on inside of firebox, logs, and/or glass.	<p>Incorrect gas type or pressure setting.</p> <p>Primary air shutter incorrectly adjusted for gas type.</p>	<p>Ensure correct gas type, injector size, and pressure setting.</p> <p>Adjust primary air shutter.</p>
Excessive flame height.	<p>Incorrect gas type or pressure setting.</p>	<p>Ensure correct gas type, injector size, and pressure setting.</p>
Excessive flame "lift off"	<p>Flue or inlet blockage.</p> <p>Recirculation of flue gases.</p>	<p>Clear blockage.</p> <p>Flue incorrectly installed.</p>
Unit fails to heat.	<p>See "Room fan not operating"</p> <p>Incorrect gas type or pressure setting.</p> <p>Gas supply blockage.</p>	<p>See "Room fan not operating"</p> <p>Ensure correct gas type, injector size, and pressure setting.</p> <p>Check injector, burner supply pipe, & valve for foreign matter.</p>

All service work to be carried out by a qualified & authorised person.

		Manufactured by Heatmaster (Pty.Ltd.) 41-45 Bendix Drive Clayton VICTORIA 3168															
		<table border="1"> <tr> <td>MODEL</td> <td>SEAMLESS</td> </tr> <tr> <td>GAS TYPE</td> <td>NATURAL</td> </tr> <tr> <td>MODEL TYPE</td> <td>Inbuilt</td> </tr> <tr> <td>GAS INPUT HIGH LOW</td> <td>36 MJ/h 18 MJ/h</td> </tr> <tr> <td>HEAT OUTPUT</td> <td>8.1 kW</td> </tr> <tr> <td>INJECTOR SIZE</td> <td>1.95 mm</td> </tr> <tr> <td>MANIFOLD PRESSURE HIGH LOW</td> <td>0.88 kPa</td> </tr> <tr> <td>AGA Approval Number to Code AS4553</td> <td>AGA 8107 G</td> </tr> </table>		MODEL	SEAMLESS	GAS TYPE	NATURAL	MODEL TYPE	Inbuilt	GAS INPUT HIGH LOW	36 MJ/h 18 MJ/h	HEAT OUTPUT	8.1 kW	INJECTOR SIZE	1.95 mm	MANIFOLD PRESSURE HIGH LOW	0.88 kPa
MODEL	SEAMLESS																
GAS TYPE	NATURAL																
MODEL TYPE	Inbuilt																
GAS INPUT HIGH LOW	36 MJ/h 18 MJ/h																
HEAT OUTPUT	8.1 kW																
INJECTOR SIZE	1.95 mm																
MANIFOLD PRESSURE HIGH LOW	0.88 kPa																
AGA Approval Number to Code AS4553	AGA 8107 G																
<p>TO BE INSTALLED BY AN AUTHORIZED PERSON IN ACCORDANCE WITH INSTALLATION INSTRUCTIONS PROVIDED WITH THE APPLIANCE.</p>																	
	ELECTRICAL CONFORM TO AS3100		240V 50 Hz 160 Watts Max														
	ELECTRICAL CONNECTION		Standard Flex. 2 Mt. 3 Pin Plug														
	SERIAL No		[]														

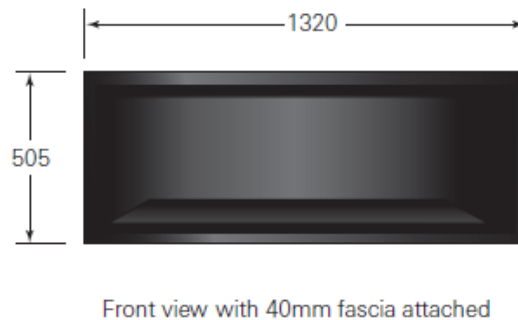
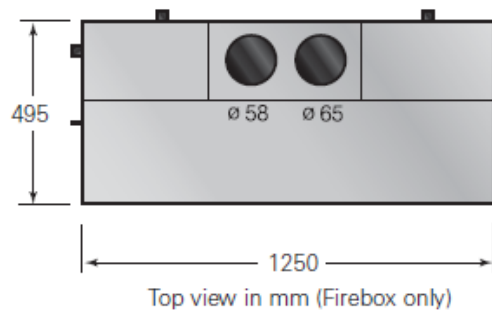
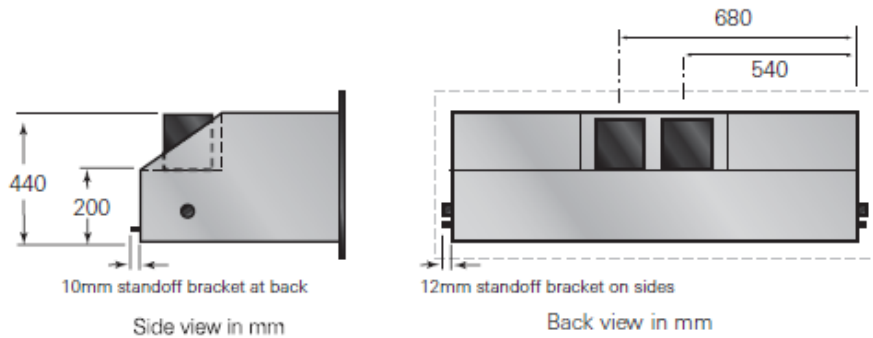
Heatmaster Seamless Data Plate

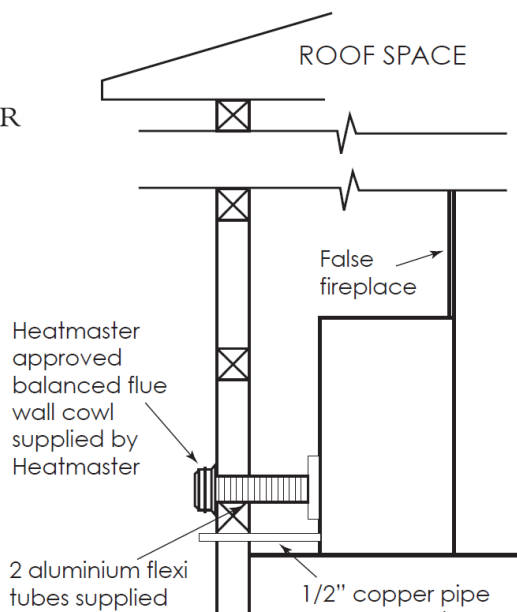
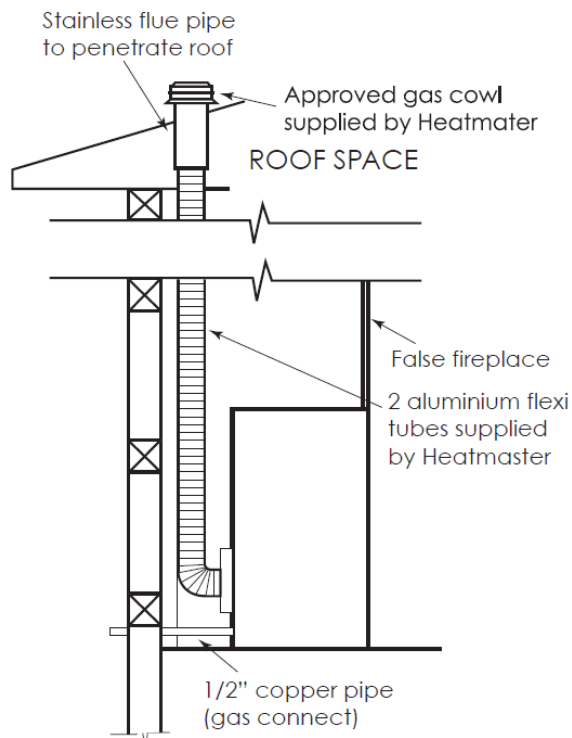
Table of Contents

Description	Page
Rear View Balanced flue with 58 and 65mm Ø. Pipes	20
Balanced flue Terminal	21
Empty Fire box	22
Rear left log in position	
Left & center rear logs in position	23
Left, center & right rear logs in position	
Front left log in position	
Front left & right logs in position	24
Two small logs complete the log set	

Firebox dimensions

SECTION 6





Balanced flue Terminal

Log Set Arrangement



Empty Fire box



Rear left log in position

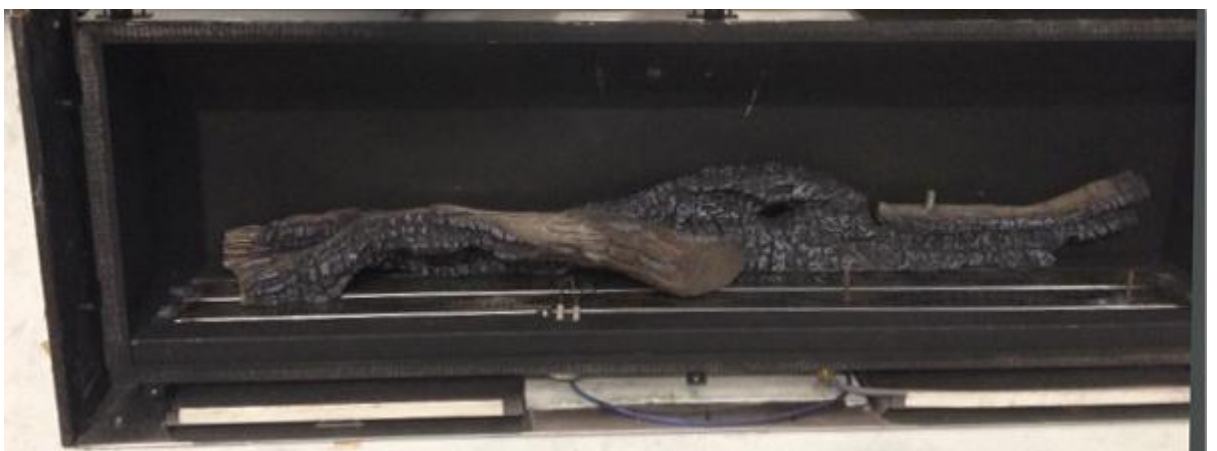
Log Set Arrangement. (Cont'd)



Left & center rear logs in position



Left, center & right rear logs in position



Front left log in position

Log Set Arrangement. (Cont'd)



Front left & right logs in position



Two small logs complete the log set

WARRANTY

As a purchaser of this Seamless product, Heatmaster (Aust.) Pty.Ltd. provide you with the following warranty:

Firebox _____ 5 Years _____ 1 Year free labour

All other Parts _____ 1 Year _____ 1 Year free labour

This Warranty is in addition to all other rights and remedies, which the purchaser may have under statute.

Note: Glass or logs are not covered against accidental breakage